

CONTAIN-IT™ FLEX

AISLE CONTAINMENT SOLUTION

APPLICATION GUIDE

designed to be better.™





TABLE OF CONTENTS:

- 02 System Integrity
- 03 How to Specify
- 04 Contain-IT™ FLEX Components
- 06 Aisle Kit Part Numbers
- 08 Component Part Numbers
- 09 End-of-Row Door Selection
- 10 End-of-Row Door Part Numbers
- 12 Overcoming Obstructions
- 16 Auxiliary Load Hanging
- 18 Build Your Solution
- 21 Flammability and Smoke Ratings

◀ **Vertical to Horizontal Containment**

DESIGNED TO MAXIMIZE
EFFICIENCY & RELIABILITY

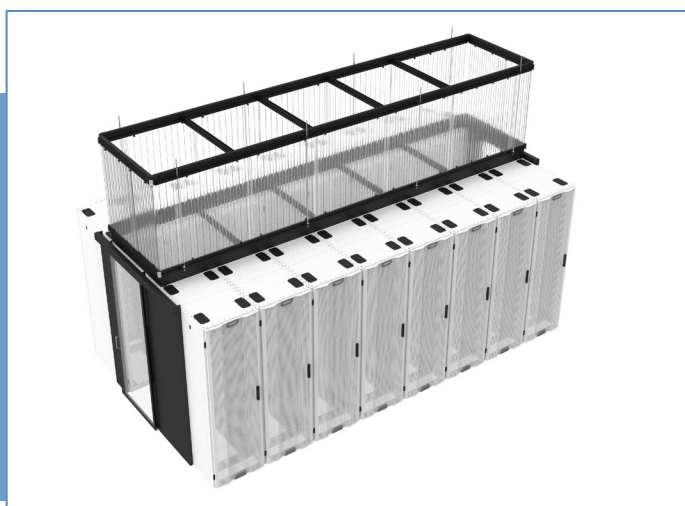
CONTAIN-IT™ FLEX

AISLE CONTAINMENT SOLUTION

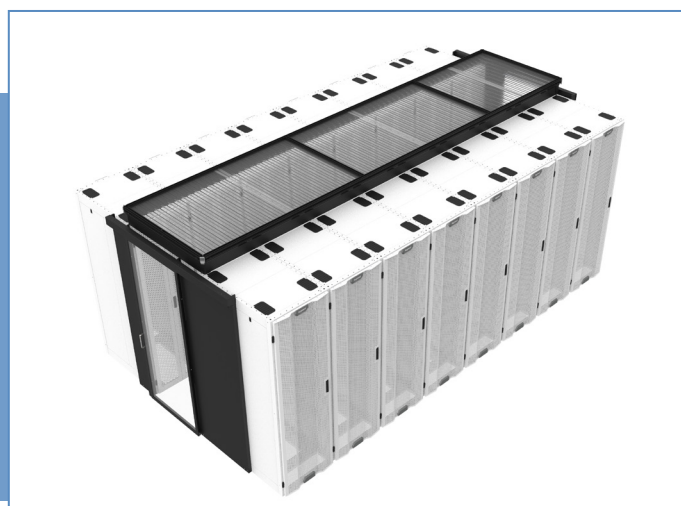
All data centers require proper airflow management for maximum efficiency and reliability, but each data center has a unique set of parameters. This application guide will help you choose the appropriate kits and components for integrating Legrand's Contain-IT FLEX solution in your greenfield or brownfield installation. The Contain-IT FLEX solution has been designed to be adaptable to any situation or challenge that may arise in the designing or installation of a containment solution, many of which we share in this guide.

CONTAIN-IT FLEX BENEFITS:

- Horizontal and vertical solutions
- Ideal for hot aisle, cold aisle or stratification applications
- Roof supported, cabinet supported or attached to Cablofil basket tray
- Modular solution for maximum adaptability
- Pre-configured aisle sizes
- Configure to order for non-uniform aisles
- Snap-to-fit for ease of installation
- Minimal installation time
- Cost effective
- Ability to support 8 pounds per linear foot of auxiliary equipment
- Ability to overcome obstacles including:
 - Building columns
 - City-scape aisles
 - Gaps in rows
 - Overhead cable management
 - Overhead trades
 - In row cooling



Vertical Containment



Horizontal Containment

SYSTEM INTEGRITY:

Contain-IT™ FLEX was tested in the horizontal and vertical application. The superior design allows for all joints to be sealed, which provides a high level of system integrity. The test results are:

HORIZONTAL CONTAINMENT:

The system contained 98.7% of the volumetric flow at 0.03 inches of water at 2000 CFM per cabinet for a 4' wide, 24' long aisle, inclusive of two 92" tall end of row doors.

VERTICAL CONTAINMENT:

The system contained 97.7% of the volumetric flow at 0.03 inches of water at 2000 CFM per cabinet for a 4' tall, 4' wide aisle, 24' long aisle, inclusive of two 92" tall end of row doors.

For more information, please contact customer support.



◀ Vertical Containment

SYSTEM WEIGHT PER LINEAR FOOT:

Vertical Containment, 4' tall, 4' wide (not including doors):

- Plastic beam: weighs less than 10 lbs per aisle foot
- Aluminum beam: weighs less than 15 lbs per aisle foot

Horizontal Containment, 4' wide (not including doors):

- Plastic beam: weighs less than 7 lbs per aisle foot
- Aluminum beam: weighs less than 12 lbs per aisle foot

LOAD CARRYING CAPACITY:

Cross members must be loaded symmetrically about the beam web, to avoid a twisting load on the beam.

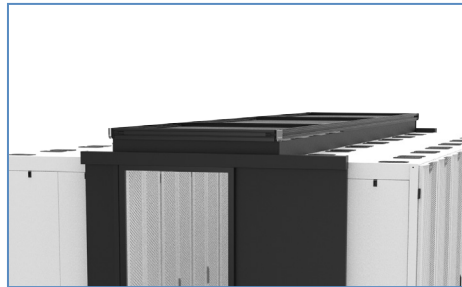
- Plastic beam: capable of carrying 7.5 lbs per aisle foot, 30 lbs maximum per cross member.
- Aluminum beam: capable of carrying 10 lbs per aisle foot, 40 lbs maximum per cross member.

HOW TO SPECIFY:

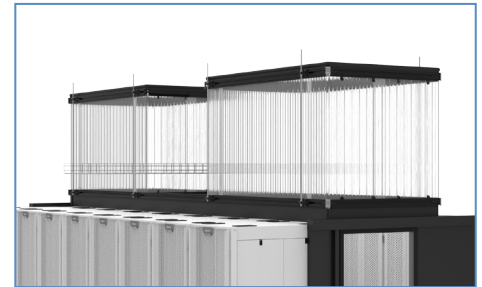
There are several attributes that need to be considered when building a containment specification. The following is a list of those attributes that need to be specified for a full containment solution.

- **Containment Type:** Horizontal, Vertical, or Mixed Containment
- **Aisle Type:** Cabinet-to-Cabinet or Cabinet-to-Wall
- **Beam Type:** Plastic or Aluminum
- **Panel Type:** Multi-Wall or Drop Away (Horizontal Only)
- **Support Method:** Cabinet, Roof (Threaded Rod) or Cablofil
- **Length of Aisle:** Length in Feet
- **Width of Aisle:** Width in Feet
- **Door Type:** Left-Sliding, Right-Sliding, Dual-Sliding, Cabinet-to-Wall (Left or Right-Sliding)
- **Special Considerations:** Obstructions or Obstacles
- **Additional Load:** Auxiliary Load Required
- **Fire Suppression:** Contact the local fire authority to ensure codes are followed with the containment installation.

See pages 18-20 for additional information on specifying.



Horizontal Containment



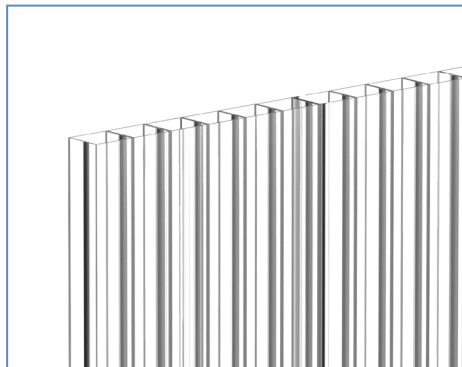
Mixed Containment



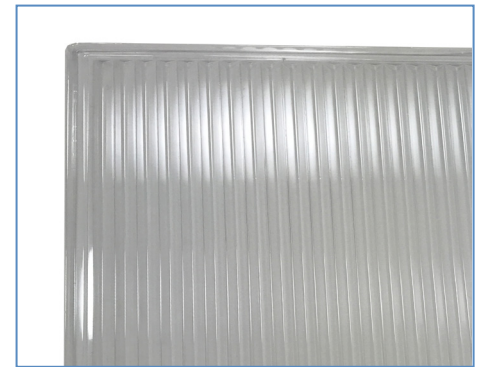
Plastic Beam



Aluminum Beam



Multi-Wall Panel



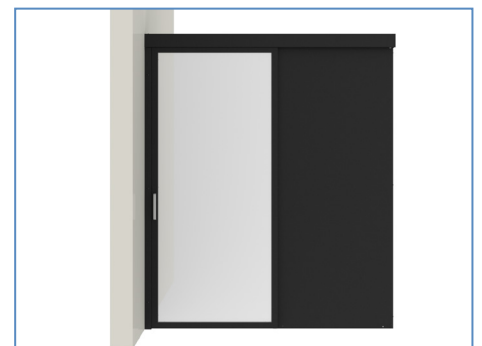
Drop Away Panel



Dual Sliding Door



Left Sliding Door



Cabinet to Wall

CONTAIN-IT™ FLEX COMPONENTS

Contain-IT FLEX is available in pre-configured kits for uniform aisles. The components are also available individually. The components can be selected and configured into solutions to overcome obstacles such as missing cabinets within a row. Containing a unique row can be accomplished by ordering a kit and some components for a relatively uniform aisle. If the aisle is non-uniform the components can be selected and configured to overcome the obstacles and contain the aisle.



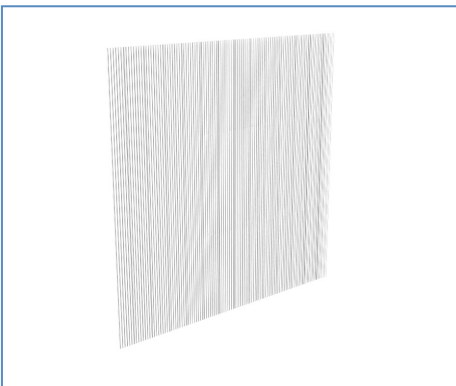
CFB90A: Beam, Containment, 90°L, Aluminum, kit of 1



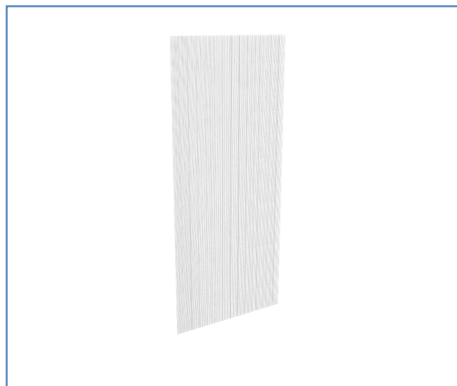
CFB90P: Beam, Containment, 90°L, Plastic, kit of 1



CFCI4: Inside Corner Connector, kit of 4



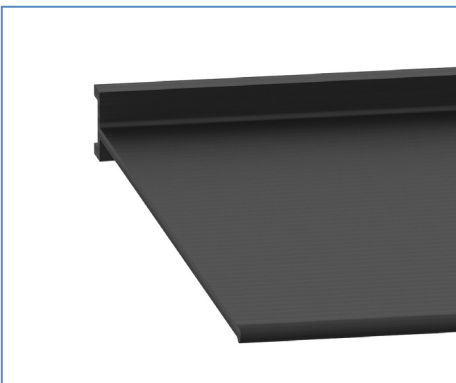
CFPMW4848: Multi-Wall Panel, 48" x 48"



CFPMW48108: Multi-Wall Panel, 48" x 108"



CFCP2448: Panel, Drop Away, 24" X48", Clear, kit of 1



CFSC96: Seal, Cabinet, 96" L, kit of 1



CFBS296: Bulb Seal, 2" x 96", kit of 1



CFBC: Cabinet Bracket, kit of 1



CFC04: Outside Corner, kit of 4



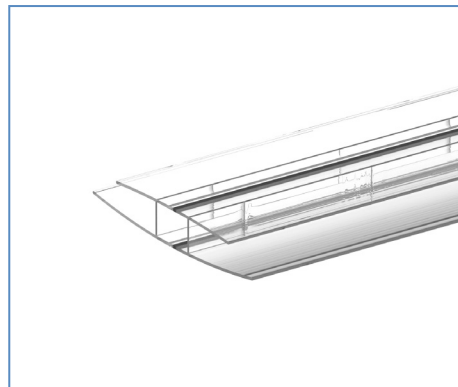
CFSB4: Splice, kit of 4



CFBHB8: Hanger, kit of 8



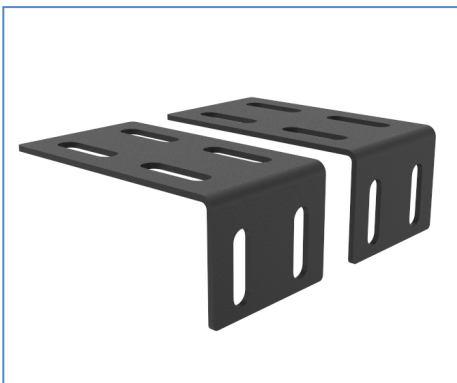
CFRC12: Panel Clip, kit of 12



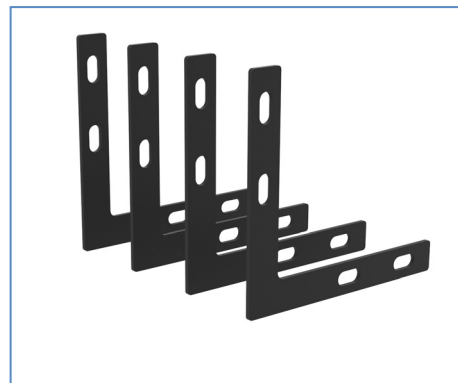
CFSP3108: Splice, Panel, 3"W x 108"L, kit of 1
CFSP348: Splice, Panel, 3"W x 48"L, kit of 1



CFCAP4: Badge, Legrand kit of 4



CFAB2: Anchor Bracket, Kit of 2



CFBSF4: Flat Support Bracket, kit of 4



CFCSB4: Corner Support Bracket, kit of 4

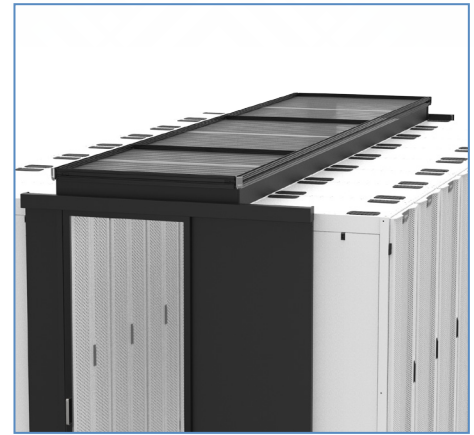
AISLE KIT PART NUMBERS

Ordering Contain-IT™ FLEX is easy with pre-configured kits that are available for horizontal and vertical containment. Kits are available for 15, 20, 30 and 40 foot aisle lengths. Horizontal kits are available for up to a four foot wide aisle while vertical kits are available for heights up to 8 feet. Field engineers are available to create solutions using standard components for non-uniform aisles.

PART NUMBER	DESCRIPTION - HORIZONTAL ROOF SUPPORTED
CFHZA415RSP	Horizontal Containment, 4'W X 15'L Plastic, Roof Supported
CFHZA420RSP	Horizontal Containment, 4'W X 20'L Plastic, Roof Supported
CFHZA430RSP	Horizontal Containment, 4'W X 30'L Plastic, Roof Supported
CFHZA440RSP	Horizontal Containment, 4'W X 40'L Plastic, Roof Supported
CFHZA415RSA	Horizontal Containment, 4'W X 15'L Aluminum, Roof Supported
CFHZA420RSA	Horizontal Containment, 4'W X 20'L Aluminum, Roof Supported
CFHZA430RSA	Horizontal Containment, 4'W X 30'L Aluminum, Roof Supported
CFHZA440RSA	Horizontal Containment, 4'W X 40'L Aluminum, Roof Supported

PART NUMBER	DESCRIPTION - HORIZONTAL CABINET SUPPORTED
CFHZA415CSP	Horizontal Containment, 4'W X 15'L Plastic, Cabinet Supported
CFHZA420CSP	Horizontal Containment, 4'W X 20'L Plastic, Cabinet Supported
CFHZA430CSP	Horizontal Containment, 4'W X 30'L Plastic, Cabinet Supported
CFHZA440CSP	Horizontal Containment, 4'W X 40'L Plastic, Cabinet Supported
CFHZA415CSA	Horizontal Containment, 4'W X 15'L Aluminum, Cabinet Supported
CFHZA420CSA	Horizontal Containment, 4'W X 20'L Aluminum, Cabinet Supported
CFHZA430CSA	Horizontal Containment, 4'W X 30'L Aluminum, Cabinet Supported
CFHZA440CSA	Horizontal Containment, 4'W X 40'L Aluminum, Cabinet Supported

PART NUMBER	DESCRIPTION - VERTICAL ROOF SUPPORTED
CFVTA815RSP	Vertical Containment, 8'H X 15'L Plastic, Roof Supported
CFVTA820RSP	Vertical Containment, 8'H X 20'L Plastic, Roof Supported
CFVTA830RSP	Vertical Containment, 8'H X 30'L Plastic, Roof Supported
CFVTA840RSP	Vertical Containment, 8'H X 40'L Plastic, Roof Supported
CFVTA415RSP	Vertical Containment, 4'H X 15'L Plastic, Roof Supported

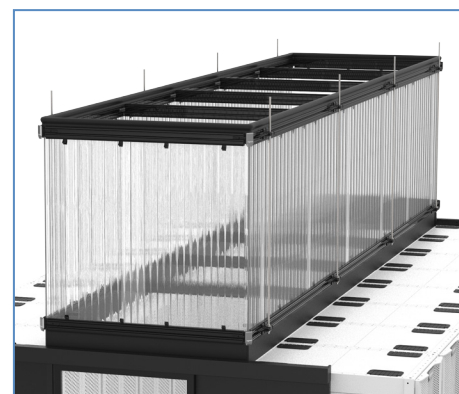


Horizontal, Cabinet Supported

Aisle Kits include all materials required to build the standard aisles (except threaded rods). Doors are ordered separately.

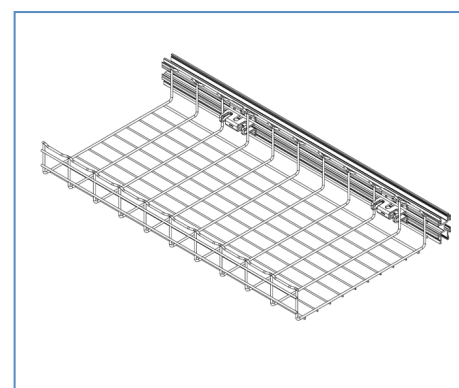
aisle kit part numbers

PART NUMBER	DESCRIPTION - VERTICAL ROOF SUPPORTED (cont.)
CFVTA420RSP	Vertical Containment, 4'H X 20'L Plastic, Roof Supported
CFVTA430RSP	Vertical Containment, 4'H X 30'L Plastic, Roof Supported
CFVTA440RSP	Vertical Containment, 4'H X 40'L Plastic, Roof Supported
CFVTA815RSA	Vertical Containment, 8'H X 15'L Aluminum, Roof Supported
CFVTA820RSA	Vertical Containment, 8'H X 20'L Aluminum, Roof Supported
CFVTA830RSA	Vertical Containment, 8'H X 30'L Aluminum, Roof Supported
CFVTA840RSA	Vertical Containment, 8'H X 40'L Aluminum, Roof Supported
CFVTA415RSA	Vertical Containment, 4'H X 15'L Aluminum, Roof Supported
CFVTA420RSA	Vertical Containment, 4'H X 20'L Aluminum, Roof Supported
CFVTA430RSA	Vertical Containment, 4'H X 30'L Aluminum, Roof Supported
CFVTA440RSA	Vertical Containment, 4'H X 40'L Aluminum, Roof Supported



Vertical, Roof Supported

PART NUMBER	DESCRIPTION - VERTICAL CABINET SUPPORTED
CFVTA815CSP	Vertical Containment, 8'H X 15'L Plastic, Cabinet Supported
CFVTA820CSP	Vertical Containment, 8'H X 20'L Plastic, Cabinet Supported
CFVTA830CSP	Vertical Containment, 8'H X 30'L Plastic, Cabinet Supported
CFVTA840CSP	Vertical Containment, 8'H X 40'L Plastic, Cabinet Supported
CFVTA415CSP	Vertical Containment, 4'H X 15'L Plastic, Cabinet Supported
CFVTA420CSP	Vertical Containment, 4'H X 20'L Plastic, Cabinet Supported
CFVTA430CSP	Vertical Containment, 4'H X 30'L Plastic, Cabinet Supported
CFVTA440CSP	Vertical Containment, 4'H X 40'L Plastic, Cabinet Supported
CFVTA815CSA	Vertical Containment, 8'H X 15'L Aluminum, Cabinet Supported
CFVTA820CSA	Vertical Containment, 8'H X 20'L Aluminum, Cabinet Supported
CFVTA830CSA	Vertical Containment, 8'H X 30'L Aluminum, Cabinet Supported
CFVTA840CSA	Vertical Containment, 8'H X 40'L Aluminum, Cabinet Supported
CFVTA415CSA	Vertical Containment, 4'H X 15'L Aluminum, Cabinet Supported
CFVTA420CSA	Vertical Containment, 4'H X 20'L Aluminum, Cabinet Supported
CFVTA430CSA	Vertical Containment, 4'H X 30'L Aluminum, Cabinet Supported
CFVTA440CSA	Vertical Containment, 4'H X 40'L Aluminum, Cabinet Supported



Cablofil Supported (order roof supported kit)

ALTERNATE SUPPORTING METHOD

Hangers can be used to mount the containment beams to Cablofil tray, as shown above. The hangers snap into the wire mesh pattern of the tray and can be fully supported from the tray alone. Contact customer support for more information.

COMPONENT PART NUMBERS

The lightweight containment system is comprised of components that snap together providing a savings in time and labor. The snap together features are:

- The panel retention clip is open ended for ease of install and to maintain a consistent pressure allowing for a tool-less install of containment panels.
- The inside and outside corners snap into the rail geometry forming an airtight corner while providing a time and labor savings.
- The beams are spliced together with a snap in joint splice allowing for modularity in length of height of the containment system.
- The hanger bracket snaps onto the rail over the threaded rod allowing for the trades to install the threaded before containment installation.
- The ability of the bracket to be placed anywhere along the beam also allows for the threaded rod to be deployed before installation.
- All joints are covered eliminating leakage points.

PART NUMBER	DESCRIPTION
CFB90P	Containment Beam, 90"L, Plastic, Black
CFB90A	Containment Beam, 90"L, Aluminum, Black
CFCO4	Outside Corner, Qty 4, Black
CFCI4	Inside Corner, Qty 4, Black
CFSB4	Splice, Beam, Qty 4, Black
CFPMW48108	Multi-Wall Panel, 4'X 9', Qty 1
CFPMW4848	Multi-Wall Panel, 4'X 4', Qty 1
CFSP3108	Panel Splice, 3"W X 9'L, Qty 1
CFSP348	Panel Splice, 3"W X 4'L, Qty 1
CFRC12	Panel Retention Clip, Qty 12, Black
CFSC96	Cabinet Seal, 6"H X 8'L, Qty1, Black
CFBS296	Bulb Seal, 2"H X 8'L, Qty 1, Black
CFCAP4	Badge, Containment, Qty 4 Silver
CFBHB8	Hanger Bracket, Qty 8, Black
CFBC	Cabinet Bracket, Qty 1, Black
CFCSB4	Corner Support Bracket, Qty 4, Black
CFBSF4	Support Bracket, Flat, Qty 4, Black
CFAB2	Anchor Bracket, Qty 2, Black



See pages 4 and 5 for component images.

END-OF-ROW DOOR SELECTION

HEIGHT OF DOOR:

To determine the height of the end-of-row door, use the below charts when used in conjunction with Legrand's GX or LX cabinets. For third-party cabinets, measure the cabinet height and find the corresponding height-range in the following tables.

AISLE TYPE	AISLE WIDTH	DOORS
Cabinet-to-Cabinet	36" – 48"	Left Sliding (LS) or Right Sliding (RS)
	48" – 72"	Dual Sliding (DS)
Cabinet to Wall	38" – 56"	Left Sliding Wall (LSCW) or Right Sliding (RSCW)

WIDTH AND TYPE OF DOOR:

The choice of a right or left-sliding door for a cabinet-to-cabinet aisle is dependent on which cabinet you wish to have more access to on the end of the row. Left-sliding doors will cover more of the left cabinet of the containment aisle and vice-versa for the right-sliding doors.

For a cabinet-to-wall application, the choice is dependent on which side the building wall is on (left or right side). For walls on the left side of the aisle, a right-sliding door should be selected and vice-versa for the right.

GX CABINET "U" HEIGHT	END-OF-ROW DOOR HEIGHT
42	78.5" – 82"
45	82.1" – 85.5"
48	89.1" – 92.5"

LX CABINET "U" HEIGHT	END-OF-ROW DOOR HEIGHT
42	78.5" – 82"
45	85.6" – 89"
47	89.1" – 92.5"
52	96.6" – 99"

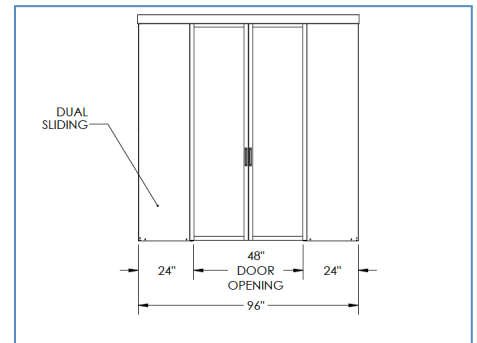


End of Row Door, Right-Sliding

END-OF-ROW DOOR PART NUMBERS

Replace “#” with either “T” for Multi-Wall or “C” for Clear
 Replace “*” with either “B” for Black or “W” for White

PART NUMBER	DESCRIPTION - DUAL SLIDING DOORS
CFDS7848#-*	Dual Sliding Door, 78.5-82"H, Fits 48-72"W Aisle
CFDS8248#-*	Dual Sliding Door, 82.1-85.5"H, Fits 48-72"W Aisle
CFDS8548#-*	Dual Sliding Door, 85.6-89"H, Fits 48-72"W Aisle
CFDS8948#-*	Dual Sliding Door, 89.1-92.5"H, Fits 48-72"W Aisle
CFDS9248#-*	Dual Sliding Door, 92.6-96"H, Fits 48-72"W Aisle
CFDS9948#-*	Dual Sliding Door, 96.6-99"H, Fits 48-72"W Aisle



Dual Sliding Doors

PART NUMBER	DESCRIPTION - LEFT SLIDING DOORS
CFLS7836#-*	Left Sliding Door, 78.5-82"H, Fits 36-48"W Aisle
CFLS8236#-*	Left Sliding Door, 82.1-85.5"H, Fits 36-48"W Aisle
CFLS8536#-*	Left Sliding Door, 85.6-89"H, Fits 36-48"W Aisle
CFLS8936#-*	Left Sliding Door, 89.1-92.5"H, Fits 36-48"W Aisle
CFLS9236#-*	Left Sliding Door, 92.6-96"H, Fits 36-48"W Aisle
CFLS9936#-*	Left Sliding Door, 96.6-99"H, Fits 36-48"W Aisle



Left Sliding Door

PART NUMBER	DESCRIPTION - RIGHT SLIDING DOORS
CFRS7836#-*	Right Sliding Door, 78.5-82"H, Fits 36-48"W Aisle
CFRS8236#-*	Right Sliding Door, 82.1-85.5"H, Fits 36-48"W Aisle
CFRS8536#-*	Right Sliding Door, 85.6-89"H, Fits 36-48"W Aisle
CFRS8936#-*	Right Sliding Door, 89.1-92.5"H, Fits 36-48"W Aisle
CFRS9236#-*	Right Sliding Door, 92.6-96"H, Fits 36-48"W Aisle
CFRS9936#-*	Right Sliding Door, 96.6-99"H, Fits 36-48"W Aisle



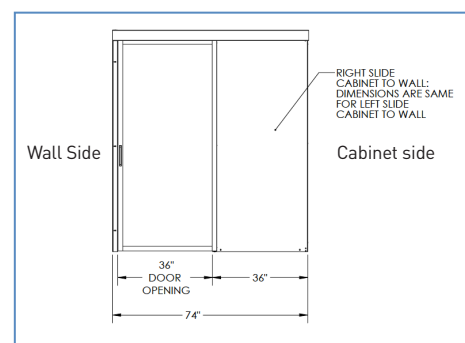
Right Sliding Door

END-OF-ROW DOOR PART NUMBERS

Replace “#” with either “T” for Multi-Wall or “C” for Clear

Replace “*” with either “B” for Black or “W” for White

PART NUMBER	DESCRIPTION - RIGHT SLIDING DOORS, CABINET TO WALL
CFRSCW7836#-*	Right Sliding Door, Cabinet to Wall, 78.5-82”H, Fits 38-56”W Aisle
CFRSCW8236#-*	Right Sliding Door, Cabinet to Wall, 82.1-85.5”H, Fits 38-56”W Aisle
CFRSCW8536#-*	Right Sliding Door, Cabinet to Wall, 85.6-89”H, Fits 38-56”W Aisle
CFRSCW8936#-*	Right Sliding Door, Cabinet to Wall, 89.1-92.5”H, Fits 38-56”W Aisle
CFRSCW9236#-*	Right Sliding Door, Cabinet to Wall, 92.6-96”H, Fits 38-56”W Aisle
CFRSCW9936#-*	Right Sliding Door, Cabinet to Wall, 96.6-99”H, Fits 38-56”W Aisle



Right Sliding Door - Cabinet to Wall

PART NUMBER	DESCRIPTION - LEFT SLIDING DOORS, CABINET TO WALL
CFLSCW7836#-*	Left Sliding Door, Cabinet to Wall, 78.5-82”H, Fits 38-56”W Aisle
CFLSCW8236#-*	Left Sliding Door, Cabinet to Wall, 82.1-85.5”H, Fits 38-56”W Aisle
CFLSCW8536#-*	Left Sliding Door, Cabinet to Wall, 85.6-89”H, Fits 38-56”W Aisle
CFLSCW8936#-*	Left Sliding Door, Cabinet to Wall, 89.1-92.5”H, Fits 38-56”W Aisle
CFLSCW9236#-*	Left Sliding Door, Cabinet to Wall, 92.6-96”H, Fits 38-56”W Aisle
CFLSCW9936#-*	Left Sliding Door, Cabinet to Wall, 96.6-99”H, Fits 38-56”W Aisle



Left Sliding Doors, Cabinet to Wall

OVERCOMING OBSTRUCTIONS

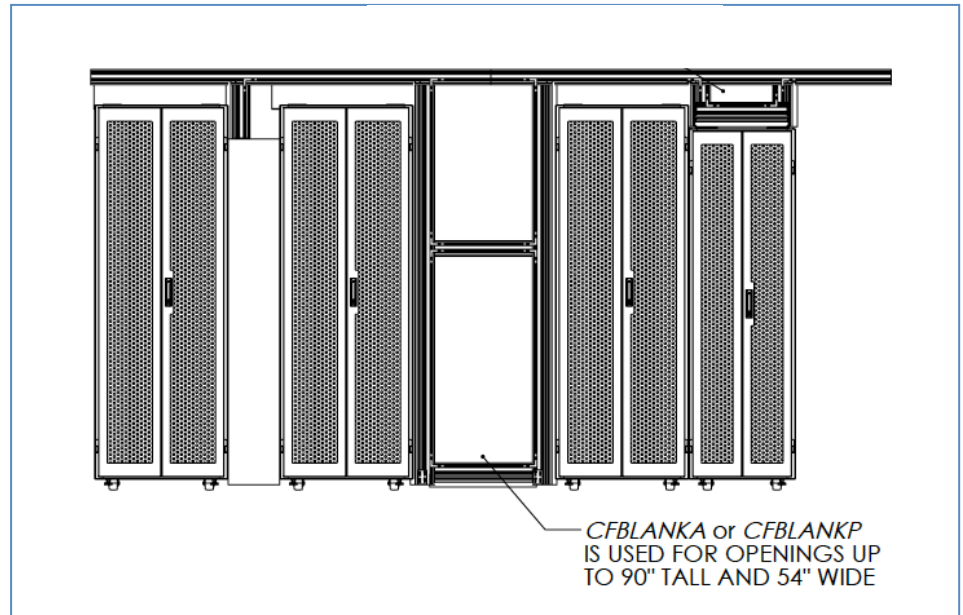
IN ROW COOLER OR CITY SCOPE:

To create a custom blanking panel requires the following components:

- CFB90P or CFB90A (plastic and aluminum beams)
- CFPMW4848 (multi-wall panel)
- CFC14 (inside corner connector)
- CFBSF4 (flat support bracket)
- CFHWPHPS (hardware)

BLANKING PANEL PART NUMBERS:

- **CFBLANKA:** Blanking Panel Kit, Aluminum, 51"W X 90"H Max
- **CFBLANKP:** Blanking Panel Kit, Plastic, 51"W X 90"H Max



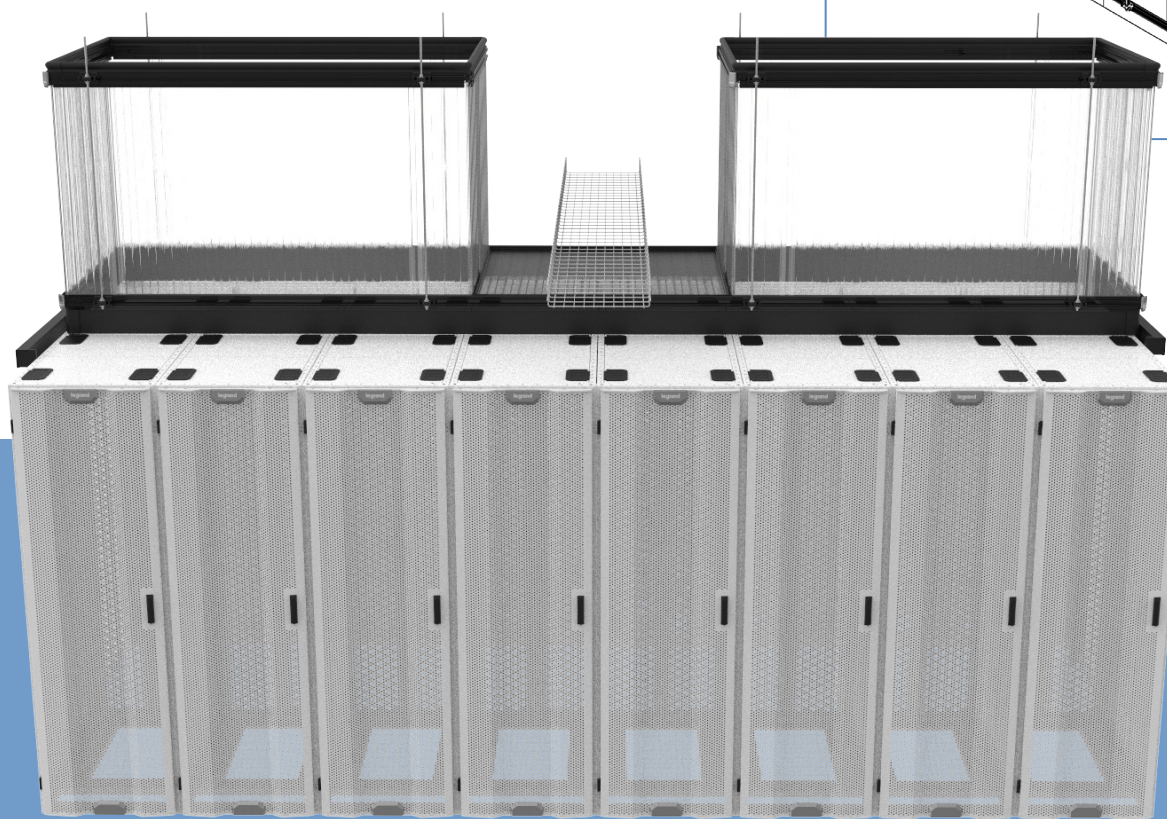
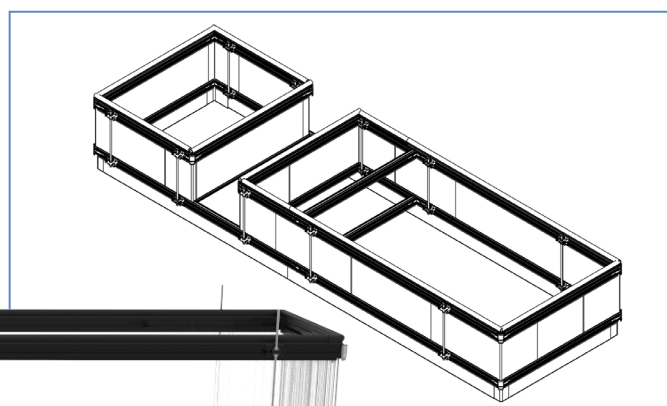
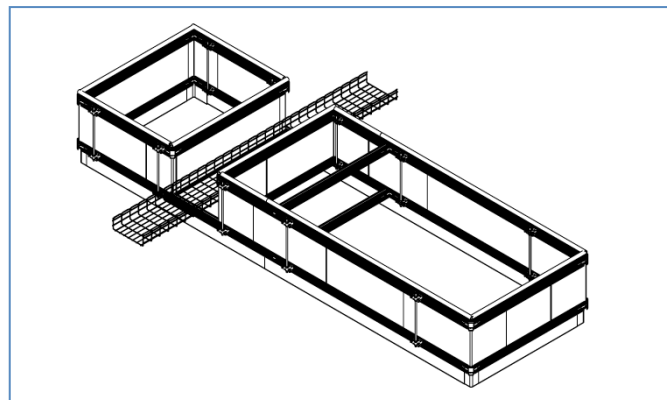
◀ City Scope Containment

OVERCOMING OBSTRUCTIONS

TRANSITIONING FROM VERTICAL TO HORIZONTAL:

To transition from vertical containment to horizontal containment, the following components are needed for the transition to horizontal:

- CFC14 (inside corner)
- CFC04 (outside corner)
- CFCAP4 (cap, containment)
- CFHWTRX (hardware)
- Adequate linear footage of CFB90P or CFB90A (beam)
- Adequate square footage of CFPMW48108 or CFPMW4848 (multi-wall panels).



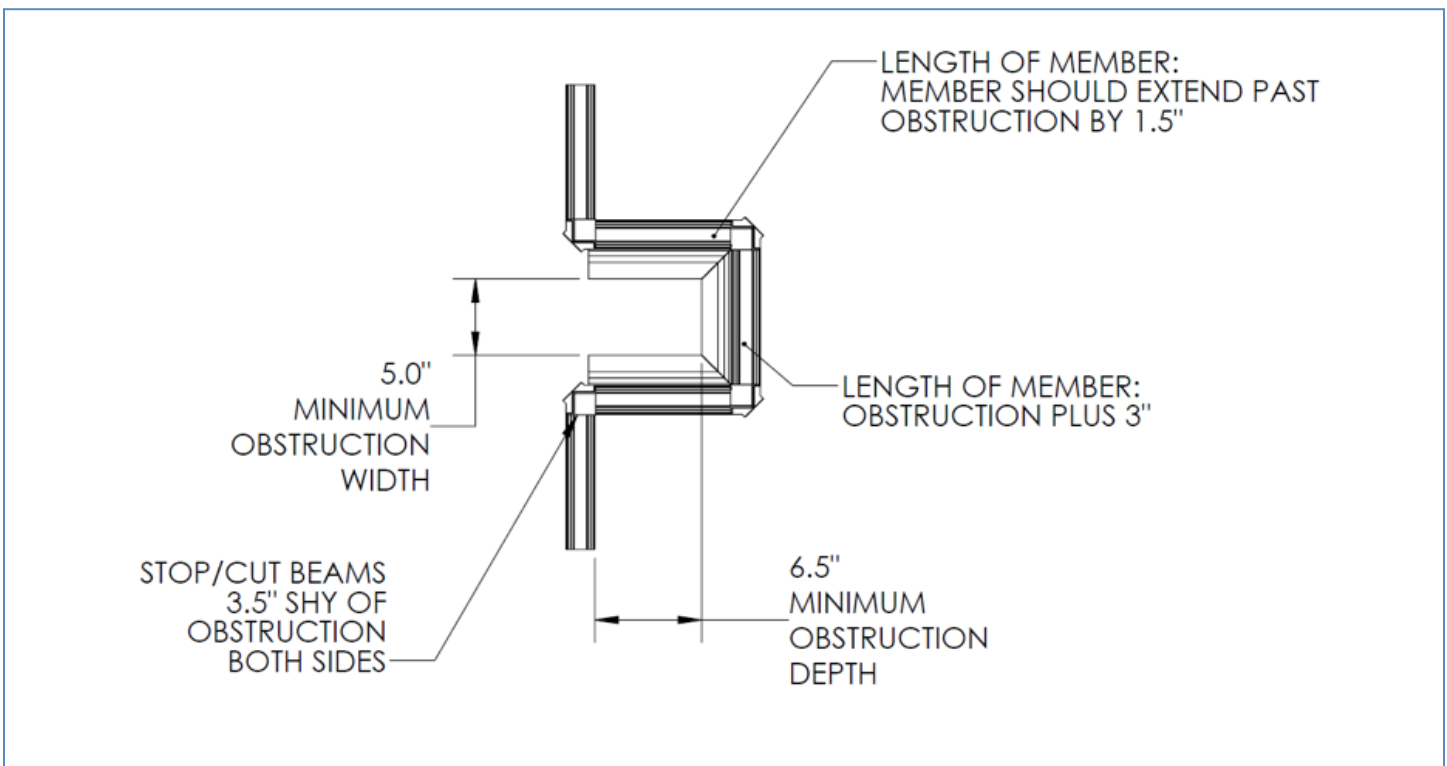
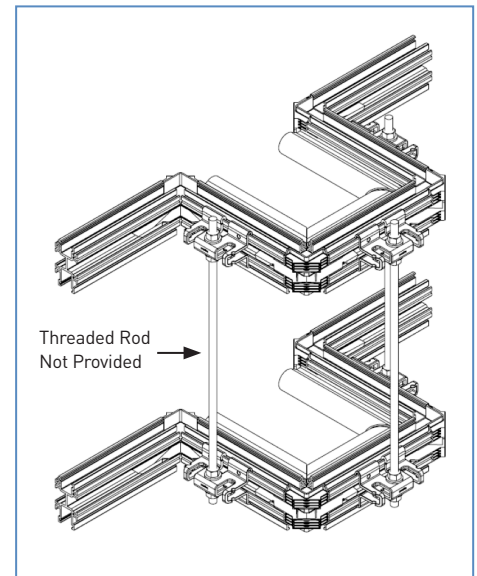
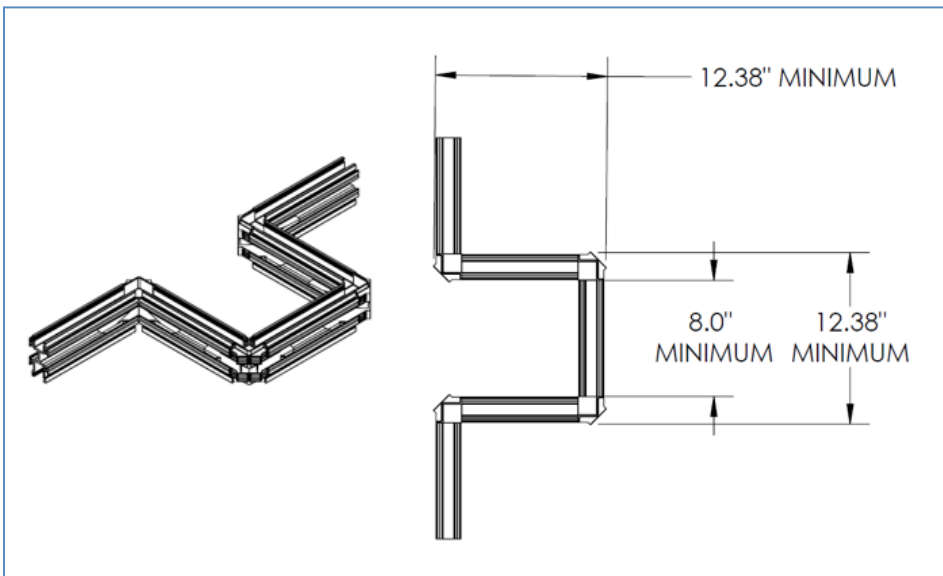
◀ Vertical to Horizontal

OVERCOMING OBSTRUCTIONS

VERTICAL OBSTRUCTION:

To overcome a vertical obstruction, the following components are needed:

- Two CFC04 & CFC14 (outside and inside corner kits)
- One CFBHB8, CFHWTRX & CFHWPHS (hanger brackets and hardware)
- Adequate length of CFB90x and CFBS296 (beam and bulb seal)
- Adequate square footage of CFPMW4848 or CFPMW48108 (multi-wall panels)

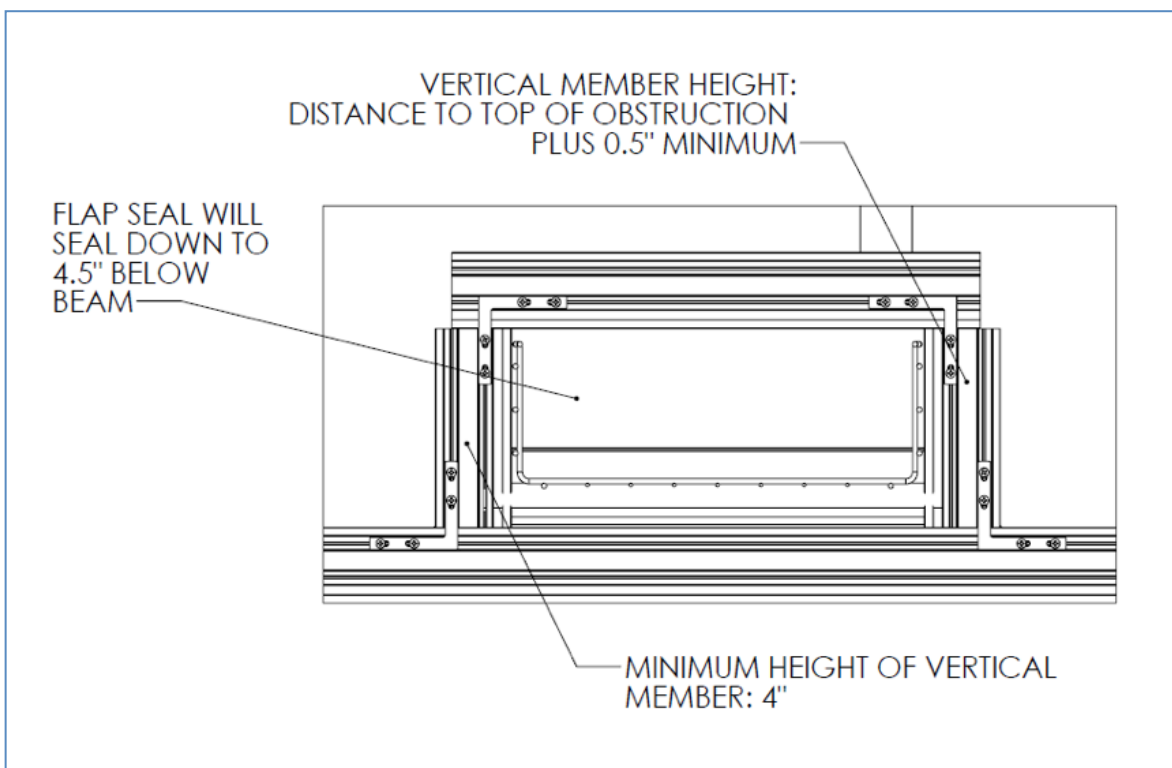
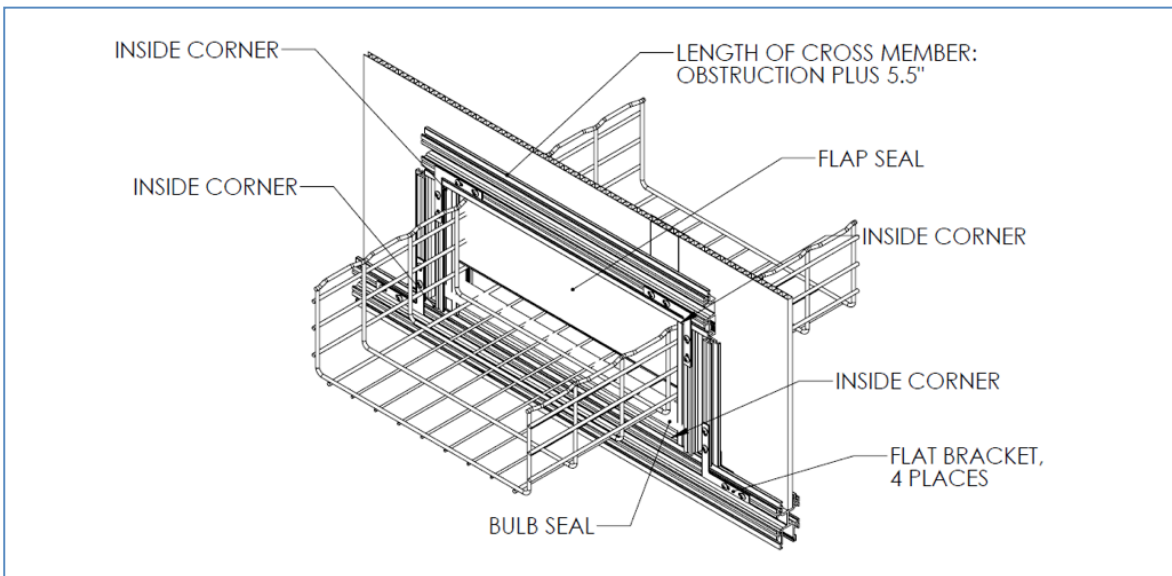


OVERCOMING OBSTRUCTIONS

HORIZONTAL OBSTRUCTION:

To overcome a horizontal obstruction, the following components are needed:

- One CFBSF4, CFCI4, CFHWTRX & CFHWPHS (flat support bracket, inside corner kit, and hardware)
- Adequate length of CFSC96 & CFBS296 (flap seal and bulb seal)
- Adequate length of CFB90X (beam)



AUXILIARY LOAD HANGING

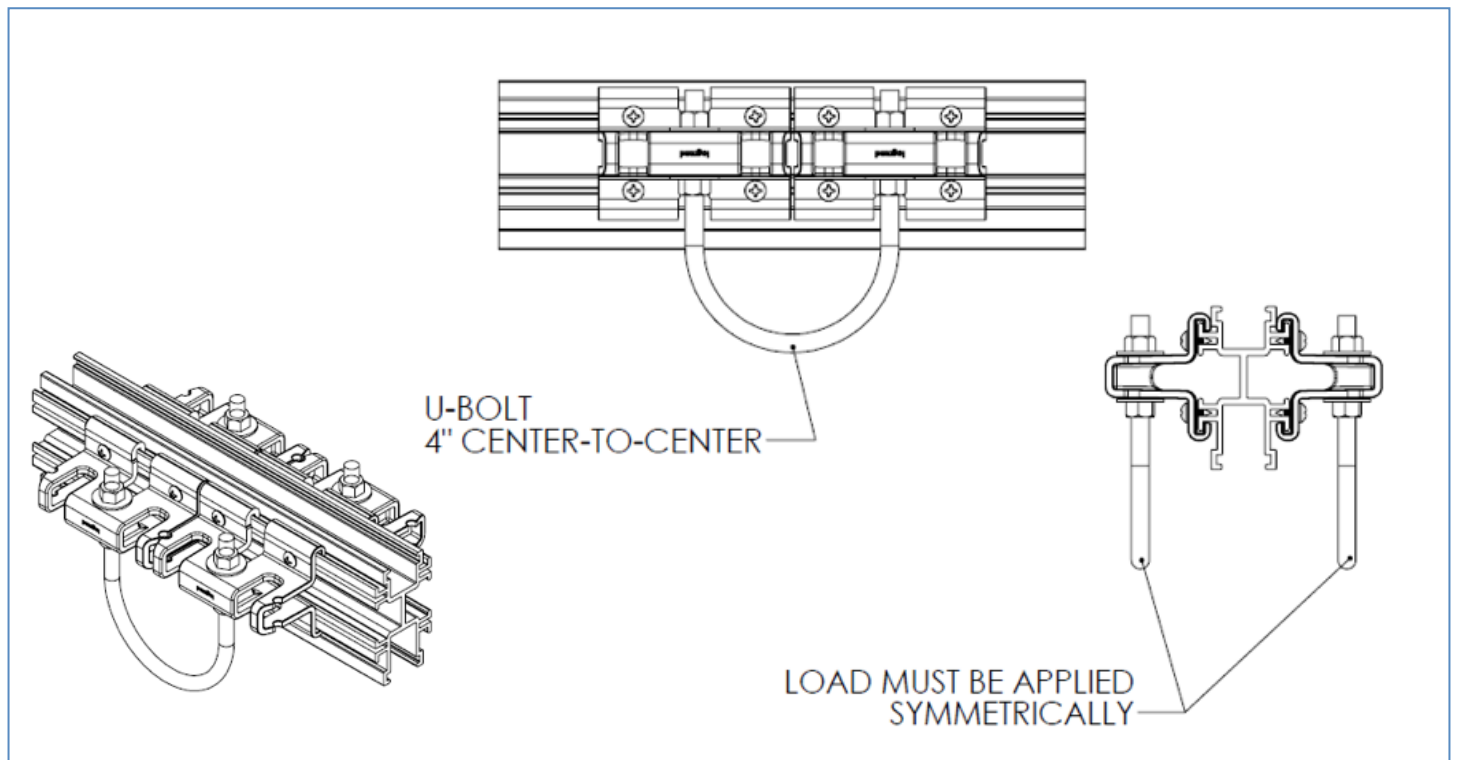
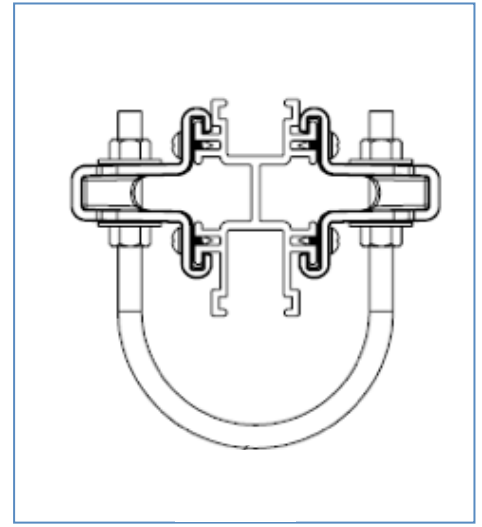
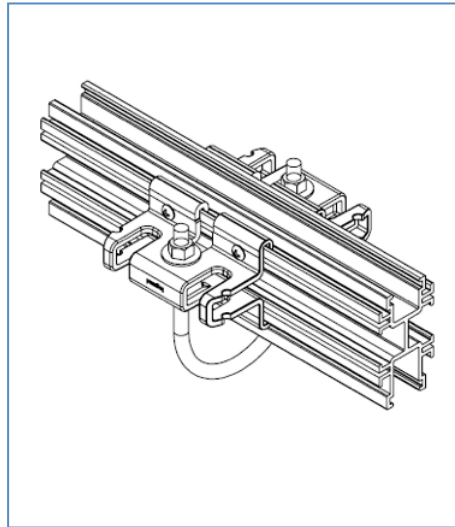
VERTICAL CONTAINMENT:

- Adequate length of CFB90X (beam)
 - Proper quantity of CFB4B8 (hanger brackets)
 - Proper quantity of CFC14 (inside corners)
- *U bolts not provided

LOAD CARRYING CAPACITY:

Cross members must be loaded symmetrically about the beam web, to avoid a twisting load on the beam.

- Plastic beam: capable of carrying 7.5 lbs per aisle foot, 30 lbs maximum per cross member.
- Aluminum beam: capable of carrying 10 lbs per aisle foot, 40 lbs maximum per cross member.

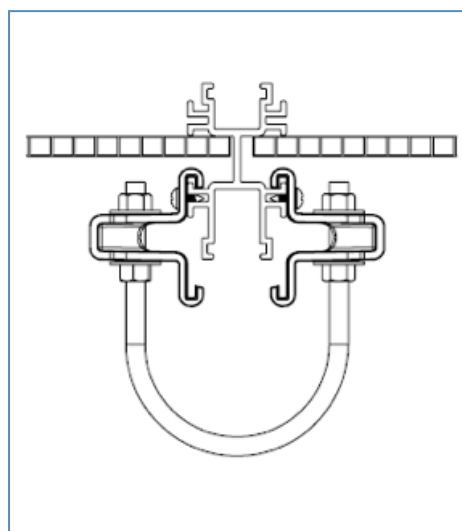
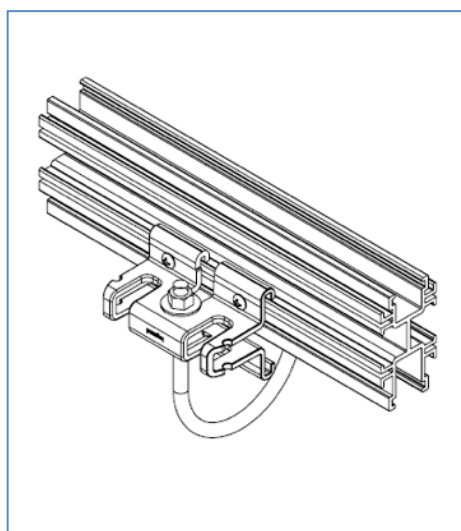
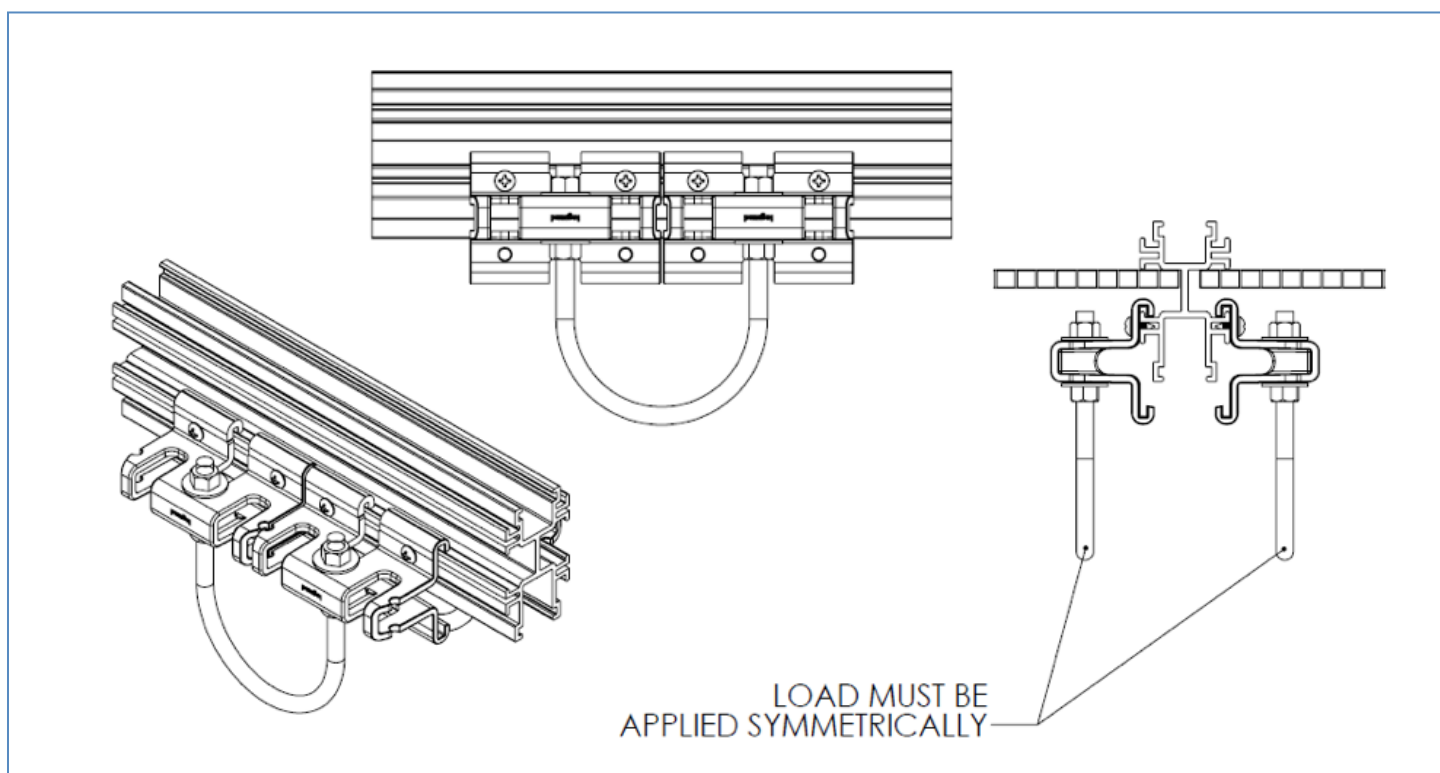


AUXILIARY LOAD HANGING

HORIZONTAL CONTAINMENT:

- Adequate length of CFB90X (beam)
- Proper quantity of CFB4B8 (hanger brackets)
- Proper quantity of CFC14 (inside corners)

*U bolts not provided



LOAD CARRYING CAPACITY:

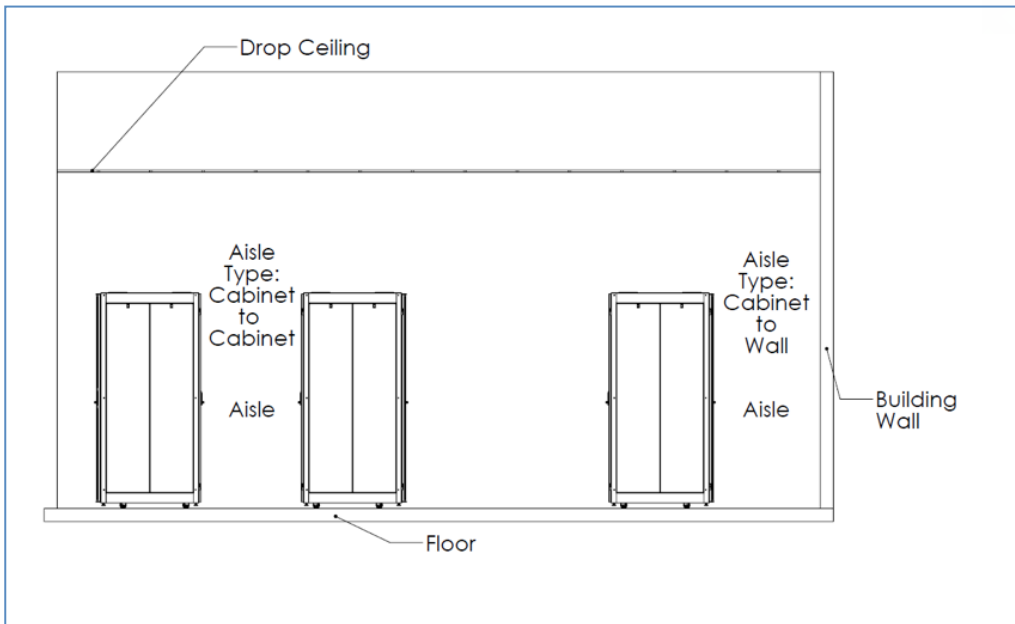
Cross members must be loaded symmetrically about the beam web, to avoid a twisting load on the beam.

- Plastic beam: capable of carrying 7.5 lbs per aisle foot, 30 lbs maximum per cross member.
- Aluminum beam: capable of carrying 10 lbs per aisle foot, 40 lbs maximum per cross member.

BUILD YOUR SOLUTION

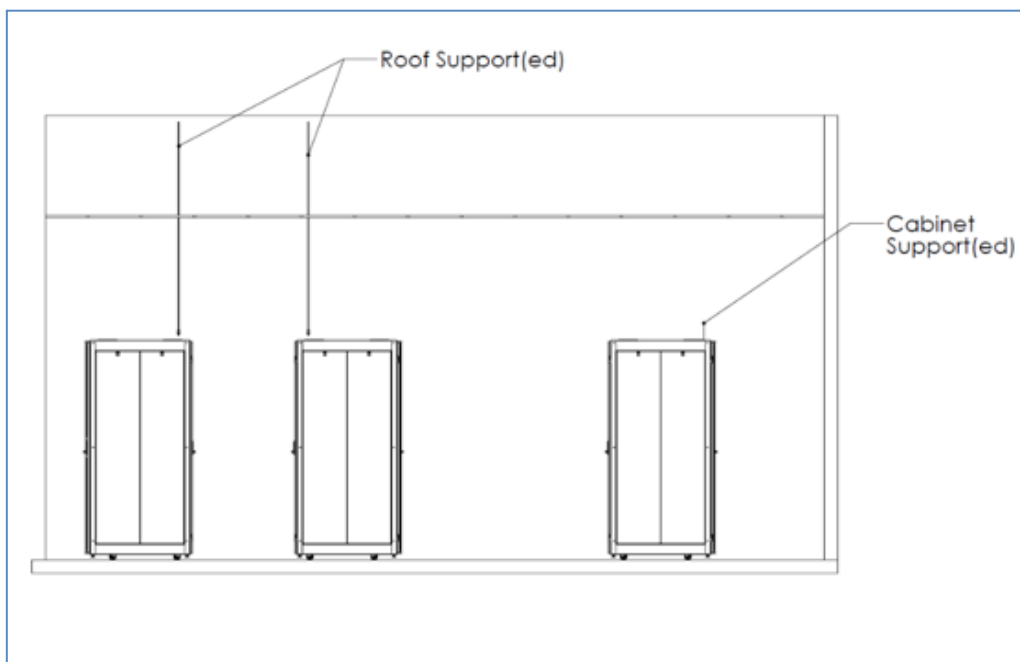
DETERMINE YOUR AISLE TYPE:

- Cabinet to Cabinet
- Cabinet to Wall



DETERMINE YOUR SUPPORT TYPE:

- Roof Supported
- Cabinet Supported

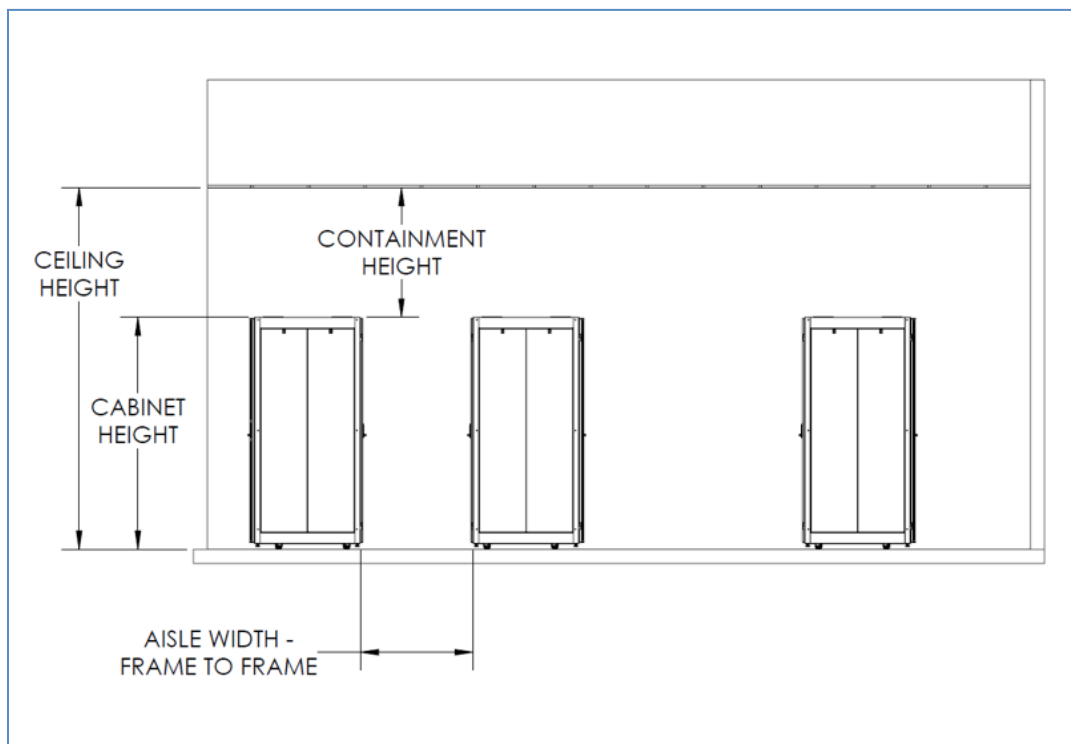


Note: Fire detection and suppression must be considered before implementing any containment solution.

Check with the authority having jurisdiction prior to deployment.

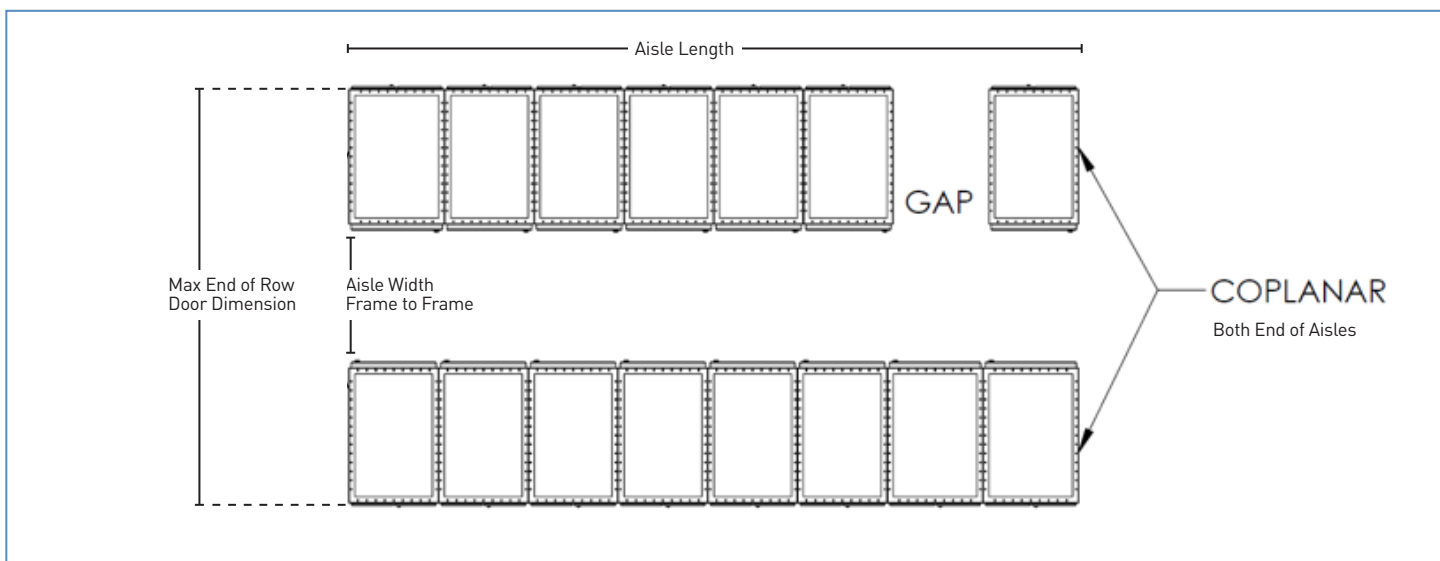
BUILD YOUR SOLUTION

DETERMINE YOUR CONTAINMENT DIMENSIONS:



AISLE BEST PRACTICES

It is recommended to keep the cabinets at the end of the aisle coplanar; this makes the installation of the end-of-row-doors easier. Gaps that appear within the aisle are easier to accommodate for.

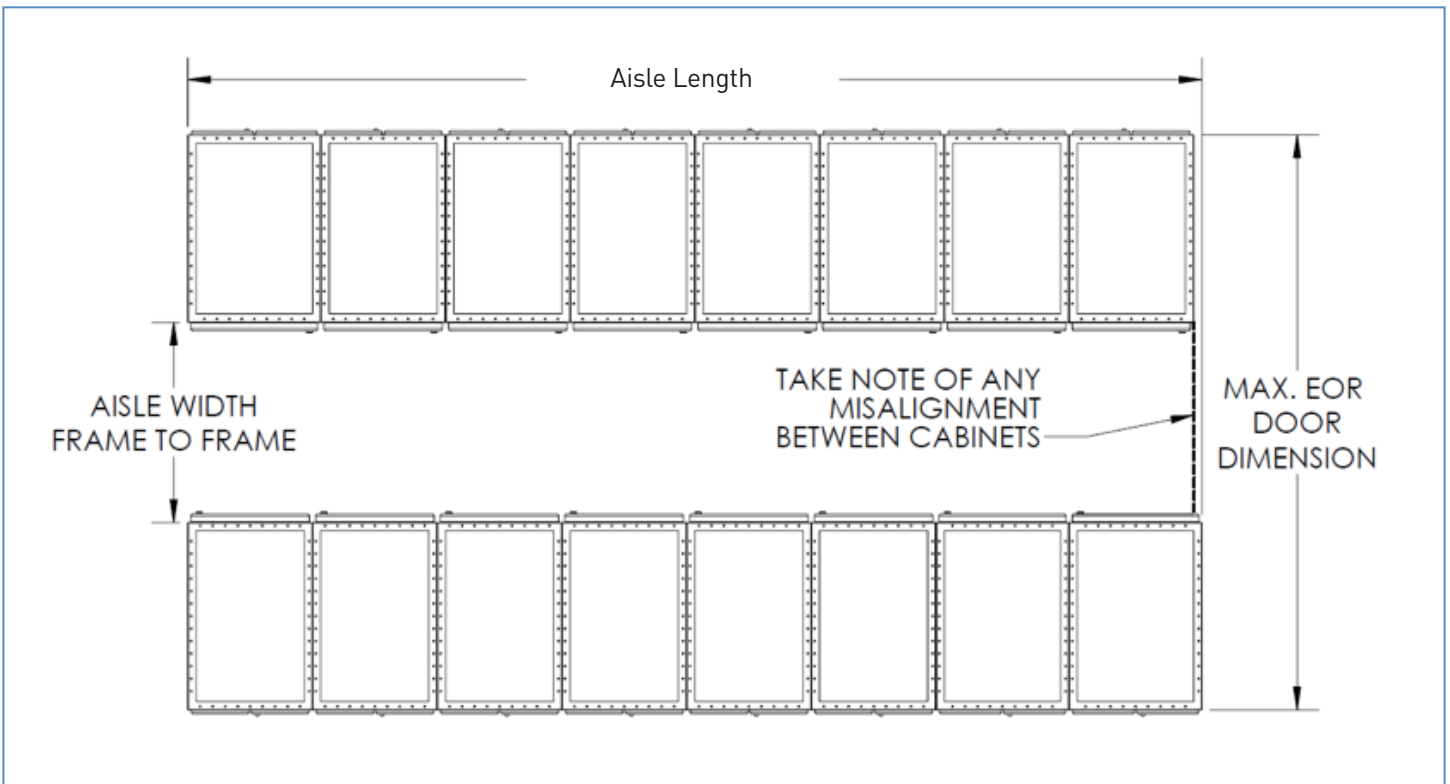


BUILD YOUR SOLUTION

DETERMINING AISLE DIMENSIONS:

Aisle Length:

- To determine the length of the Containment Aisle, measure the length to the farthest extent of the cabinets of both sides of the aisle, and add 4 inches to it.
 - Order the length of Aisle Kit that is the next larger size than the Containment Aisle.



Aisle Width:

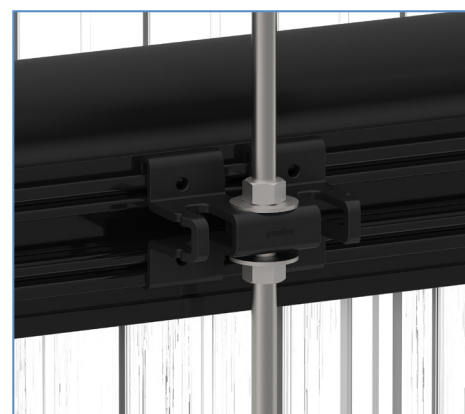
- The aisle width is from frame-to-frame, not door-to-door
- Standard horizontal aisle kits can accommodate aisles up to 48" wide
 - For horizontal aisles wider than 48", please contact Customer Service
- Standard vertical aisle kits can accommodate aisles up to 54" wide
 - For vertical aisles wider than 54", please contact Customer Service

Containment Height (Vertical Aisle Kits Only):

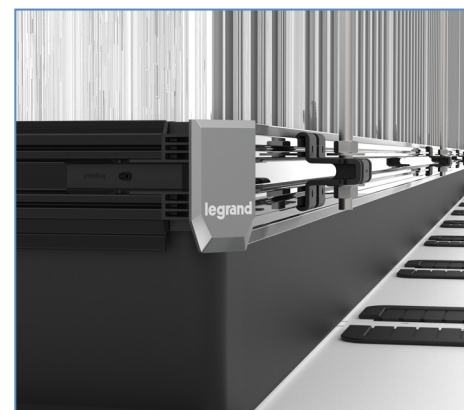
- For containment height between 8" and 54", order a 4' tall aisle kit
 - For heights less than 8", please contact Customer Service
 - For containment heights between 54" and 100", order an 8' tall aisle kit
- For heights outside the range listed please contact customer service.

FLAMMABILITY AND SMOKE RATINGS:

PART NUMBER	DESCRIPTION	RATING
CFB90A	Beam, Aluminum	N/A
CFB90P	Beam, Plastic	UL 94V-0
CFSC96	Flap Seal	UL 94V-0
CFSB296	Bulb Seal	UL 94V-0
CFSB3108	H-Splice, 108"	ASTM E84 Class A
CFSP348	H-Splice, 48"	ASTM E84 Class A
CFBHB8	Hanger, kit of 8	UL 94V-0
CFCI4	Inside Corner, kit of 4	UL 94V-0
CFCAP4	Cap, kit of 4	UL 94V-0
CFCO4	Outside Corner, kit of 4	UL 94V-0
CFSB4	Splice, kit of 4	UL 94V-0
CFRC12	Panel Clip, kit of 12	UL 94V-0
CFPMW4808	Multi-Wall Panel, 48" x 48"	ASTM E84 Class A
CFPMW48108	Multi-Wall Panel, 48" x 108"	ASTM E84 Class A



Hanger and Threaded Rod



Plastic Beams and Seal

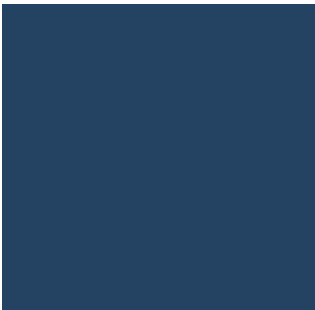


Panel Clips, Beams, and Bulb Seal

MATERIAL SPECIFICATION SHEETS:

To access the material specification sheets for the Contain-IT™ FLEX components, navigate to the component product SKU web-pages and download the sheet from the resources section. Links to the individual components can be found on the bottom of the Contain-IT page:

www.legrand.us/contain-it-flex



designed to be better.™



©2017 Legrand All Rights Reserved rev. 03/17 CONTAIN-IT FLEX



Data Communications

125 Eugene O'Neill Drive
New London, CT 06320
800.934.5432
www.legrand.us

570 Applewood Crescent
Vaughan, Ontario L4K 4B4
905.738.9195
www.legrand.ca

Follow Us

