

CAT 5E FTP KEYSTONE JACKS

P/N: JKB06-SC5E

DESCRIPTION

- As part of LINKBASIC Cat5E FTP solution, Cat5E FTP Keystone jacks' performance exceeds all requirements for Cat5E components, including NEXT, FEXT, attenuation, and return loss; guarantees 250MHZ broadband transmission, long-term reliability and stability; suitable for connection between workspace and Equipment room.

FEATURES

- Exquisite and compact appearance.
- Unique design of balance circuit board and line pair decrease cross talk and increase allowance.
- Whole zinc-alloy shielding coat comply with Industry code of conduct.
- Available in both T568A/B wiring. Wire map are printed clearly on jacks.
- 250MHZ available bandwidth provides more allowance than Cat6A.
- Beyond comparison 1.2 GB/s transmission rate, the highest in industry
- Backward compatibility for Cat5
- Unique design of IDC terminating protective cap make wiring-free conveniently, complying with human engineering.
- One-wire type IDC terminating interface with swiftly separating wire pair make installation easy and suitable for various installation circumstances.
- High-strength PC material for terminating housing ensure more than 250times terminating.
- Clearly coding T568A/B coding prevents mistaken terminating.
- Latch design on terminating protective cap can prevent cable from over bending or falling off after termination, and prevent contact point from damage.

APPLICATION

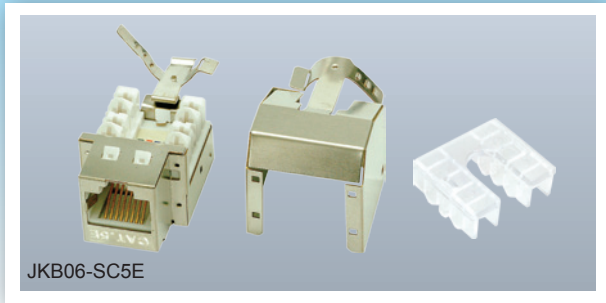
- Communication outlet
- Multi-user communication outlet
- Concentration point

SPECIFICATION

- Suitable for 23AWG cable
- IDC terminating interface
- Durability: 1500 times plugging
250 times terminating

PHYSICAL CHARACTERISTICS

- IDC interface
- IDC clip: phosphor bronze.
- Module style jack socket
- Contact: phosphor bronze with 50 μ " gold plating



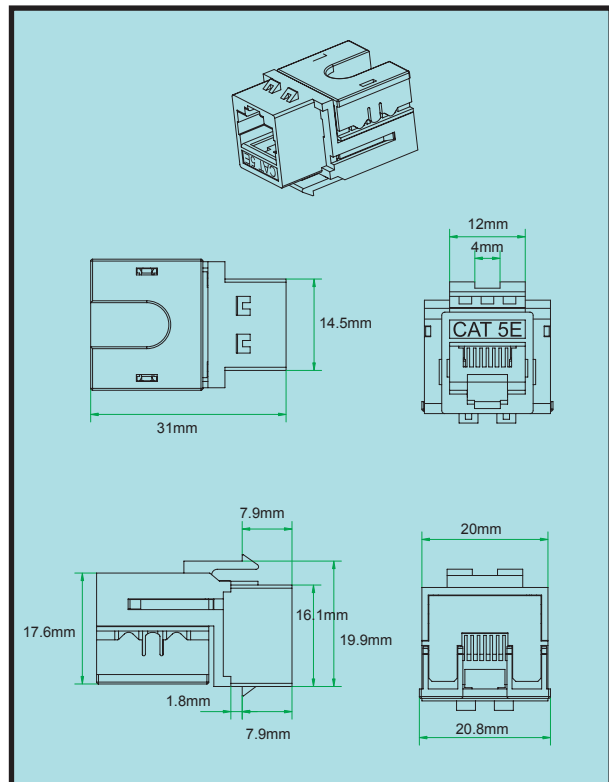
JKB06-SC5E

CAT 5E FTP KEYSTONE JACKS (90 degree)

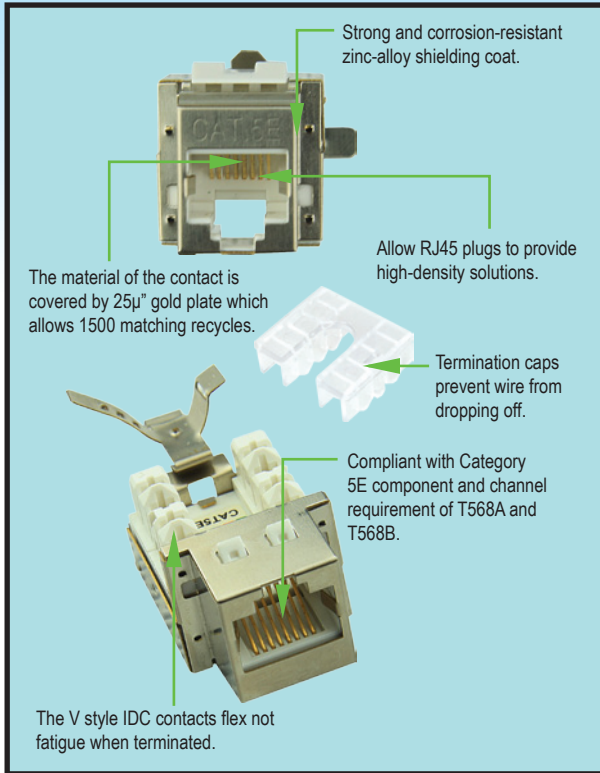
ELECTRICAL CHARACTERISTICS

Dielectric strength	1,000V RMS 60Hz/1min
Rated current	Maximum 1.5A
Insulation resistance(minimum)	500megohm
Contact resistance(maximum)	100milliohm

PRODUCT FIGURE



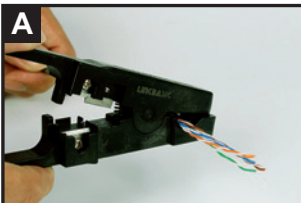
PRODUCT FIGURE



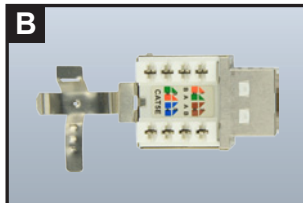
TRANSMISSION PERFORMANCE

Frequency (MHz)	Insertion loss (Db)	Next (Db)	PSNext (Db)	RL (Db)
1	0.02	86.3	58.1	87.0
4	0.03	75.8	48.5	76.3
8	0.04	70.2	43.2	70.4
10	0.03	68.6	42.0	68.8
16	0.2	65.0	38.2	64.5
20	0.09	63.2	36.4	62.7
25	0.08	61.4	34.8	60.8
31.25	0.05	59.7	32.9	58.6
62.5	0.07	54.4	27.2	52.3
100	0.09	50.7	23.7	47.3

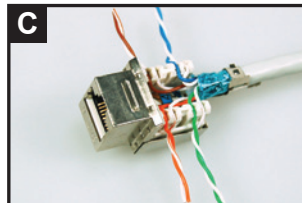
INSTALLATION INSTRUCTIONS



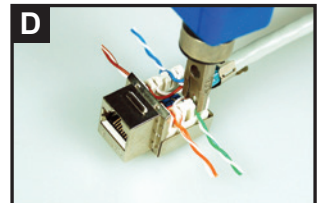
Strip approximate 4cm of the cable jacket.



View the T568A/T568B wiring scheme.



Insert each wire into the appropriate channel according to the color code on the module.



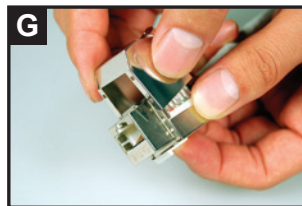
Cut the surplus wires.



Put the cap into keystone jack according to the color code.



Lock the side caps of the keystone jack.



Insert the front part in place.



Finish the installation.

ORDER INFORMATION

Part number	Description	standard color	Inner box	Carton	Carton measurement	Carton weight
JKB06-SC5E	Cat5e shielded keystone jacks (90 degree)	White	20PCS	200PCS	L 53.5cm×W 31.3cm×H 23.4cm	5.60KG