

## CAT 6A FTP KEYSTONE JACK

P/N:JKS09-SC6A

### DESCRIPTION

- As part of LINKBASIC Cat6A FTP solution, Cat6A FTP Keystone jacks' performance exceeds all requirements for Cat6A components, including NEXT, FEXT, attenuation, and return loss; guarantees 550MHZ broadband transmission, long-term reliability and stability; suitable for connection between workspace and Equipment room.

### FEATURES

- Exquisite and compact appearance.
- Unique design of balance circuit board and line pair decrease cross talk and increase allowance.
- Whole zinc-alloy shielding coat comply with Industry code of conduct.
- Available in both T568A/B wiring. Wire map are printed clearly on jacks.
- 550MHZ available bandwidth provides more allowance than Cat6A.
- Beyond comparison 10 GB/s transmission rate, the highest in industry
- Backward compatibility for Cat6, cat5E and Cat5
- Unique design of IDC terminating protective cap make wiring-free conveniently, complying with human engineering.
- One-wire type IDC terminating interface with swiftly separating wire pair make installation easy and suitable for various installation circumstances.
- High-strength PC material for terminating housing ensure more than 250times terminating.
- Clearly coding T568A/B coding prevents mistaken terminating.
- Latch design on terminating protective cap can prevent cable from over bending or falling off after termination, and prevent contact point from damage.

### APPLICATION

- Communication outlet
- Multi-user communication outlet
- Concentration point
- Jack-style patch panel

### SPECIFICATION

- Suitable for 23AWG cable
- IDC terminating interface
- Durability: 1500 times plugging  
250 times terminating

### PHYSICAL CHARACTERISTICS

- IDC interface
- IDC clip: phosphor bronze.
- Module style jack socket
- Contact: phosphor bronze with 50 $\mu$ " gold plating



JKS09-SC6A

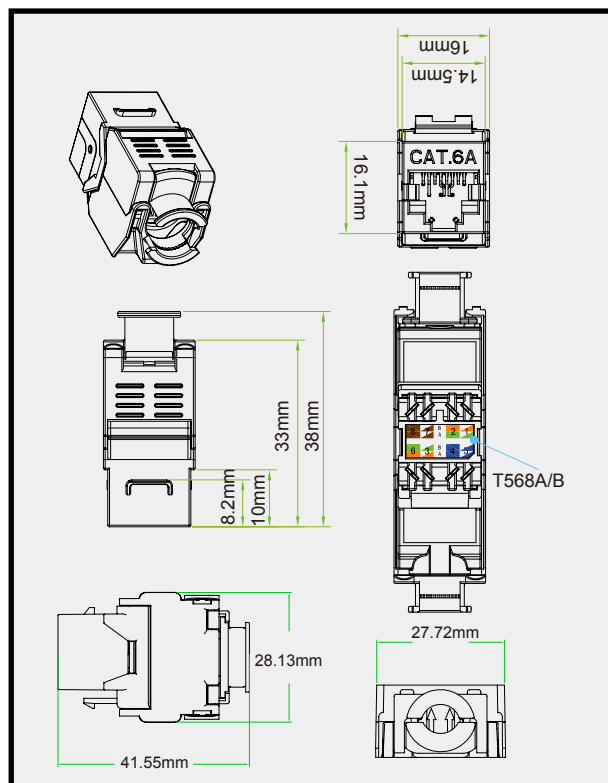
CAT 6A FTP KEYSTONE JACKS (180degree, tool-free)

**10G**

### ELECTRICAL CHARACTERISTICS

|                                |                      |
|--------------------------------|----------------------|
| Dielectric strength            | 1,000V RMS 60Hz/1min |
| Rated current                  | Maximum 1.5A         |
| Insulation resistance(minimum) | 500megohm            |
| Contact resistance(maximum)    | 100milliohm          |

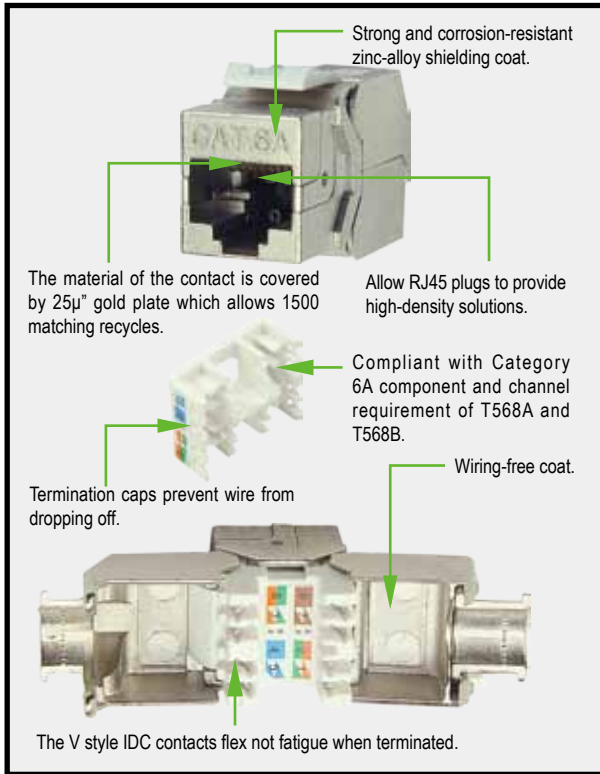
### PRODUCT FIGURE



## CAT 6A FTP KEYSTONE JACK

P/N:JKS09-SC6A

### PRODUCT FIGURE



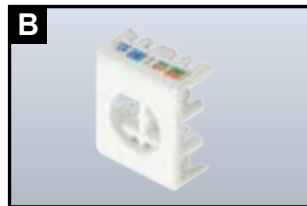
### TRANSMISSION PERFORMANCE

| Frequency (MHz) | Insertion loss (Db) | Next (Db) | PSNEXT (Db) | RL (Db) |
|-----------------|---------------------|-----------|-------------|---------|
| 0.772           | 2.1                 | 65.0      | 62.0        | 19.0    |
| 1               | 2.3                 | 65.0      | 62.0        | 19.0    |
| 4               | 4.2                 | 63.0      | 60.5        | 19.0    |
| 8               | 5.8                 | 58.2      | 55.6        | 19.0    |
| 10              | 6.5                 | 56.6      | 54.0        | 19.0    |
| 16              | 8.2                 | 53.2      | 50.6        | 18.0    |
| 20              | 9.2                 | 51.6      | 49.0        | 17.5    |
| 25              | 10.2                | 50.0      | 47.3        | 17.0    |
| 31.25           | 11.5                | 48.4      | 45.7        | 16.5    |
| 62.5            | 16.4                | 43.4      | 40.6        | 14.0    |
| 100             | 20.9                | 39.9      | 37.1        | 12.0    |
| 200             | 30.1                | 34.8      | 31.9        | 9.0     |
| 250             | 33.9                | 33.1      | 30.2        | 8.0     |
| 300             | 37.4                | 31.7      | 28.8        | 7.2     |
| 400             | 43.6                | 28.7      | 25.8        | 6.0     |
| 500             | 49.3                | 26.1      | 23.2        | 6.0     |

### INSTALLATION INSTRUCTIONS



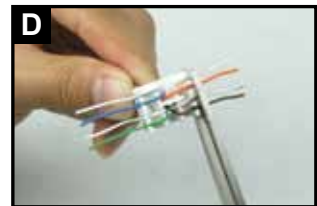
Strip approximate 4cm of the cable jacket.



View the T568A/T568B wiring scheme.



Insert each wire into the appropriate channel according to the color code on the module.



Cut the surplus wires.



Put the cap into keystone jack according to the color code.



Lock the side caps of the keystone jack.



Tighten the cable tie.



Finish the installation.

### ORDER INFORMATION

| Part number | Description                                | standard color | Inner box | Carton | Carton measurement         | Carton weight |
|-------------|--|----------------|-----------|--------|----------------------------|---------------|
| JKS09-SC6A  | Cat6A shielded keystone jacks (180 degree) | White          | 20PCS     | 200PCS | L 53.5cm×W 31.3cm×H 23.4cm | 9.20KG        |