

AE-VC224T-IT
IR Waterproof Vehicle-Mounted Camera



- Adopts progressive scan CMOS to prevent motion image aliasing
- Supports HD image coaxial output with 1080P resolution
- Min. illumination: 0.1 Lux @(F1.2, AGC ON), 0 Lux with IR
- Supports auto electronic shutter to adapt to different monitoring environments
- Supports auto electronic gain and self-adaptation to light
- IP68, IK10
- Adopts shock-proof design and aviation output plug
- (Optional) Supports left-right mirroring

▪ Specification

Selection Parameter	
Image Sensor	Progressive Scan CMOS
Min. Illumination	0.1 Lux@(F1.2, AGC ON), 0 Lux with IR
Shutter Speed	1/50 s to 1/50,000 s
FOV	2.1 mm, horizontal: 117°, vertical: 66°, diagonal: 143° 2.8 mm, horizontal: 96°, vertical: 50°, diagonal: 115° 3.6 mm, horizontal: 75°, vertical: 42°, diagonal: 86°
Lens Mount	M12
Angle Adjustment	Pan: -7° to 7°, tilt: -7° to 15°; rotate: 0° to 360°
Day & Night	Electronic
Frame Rate	1080P@25 fps
Sync Mode	Internal
SNR	42 dB
Mirror	Optional
Interface	
Video Output	1 Vpp Composite Output (aviation plug)
Aviation Pin Order	1: video, 2: empty, 3: power, 4: ground
General	
Working Temperature and Humidity	-40 °C to 75 °C (-40 °F to 167 °F), 90%
Power Supply	9 to 16 V DC
Power Consumption	Max. 2.5 W
IR Range	10m
Protection Level	IP68
Camera Material	Metal
Camera Dimension	74.7 mm × 65.8 mm × 57.3 mm (2.9" × 2.6" × 2.3")
Weight	Approx. 230 g (0.5 lb.)

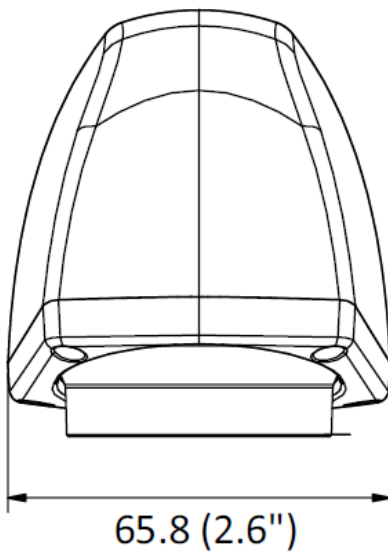
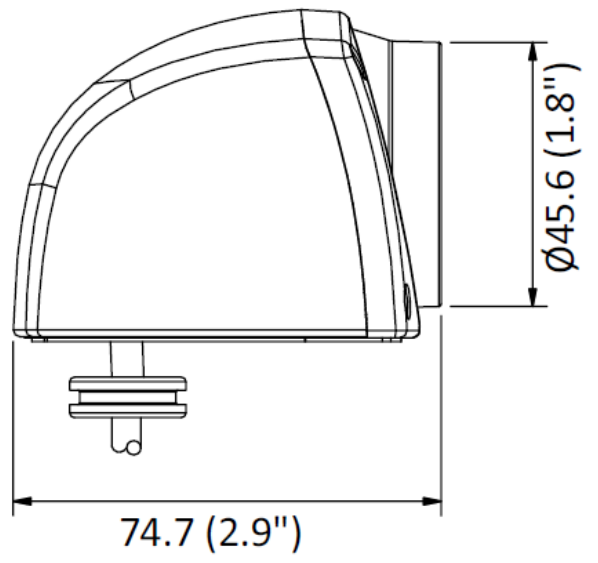
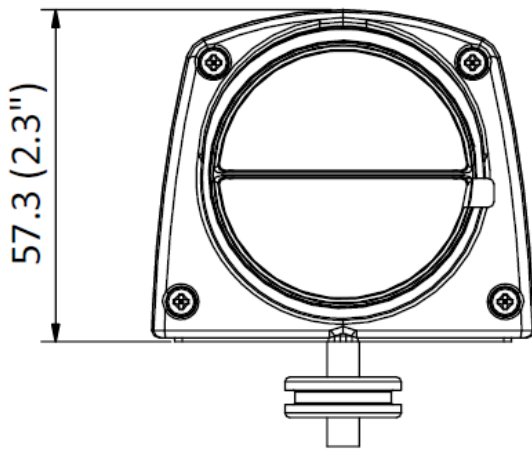
▪ Available Model

AE-VC224T-IT(3.6mm)

AE-VC224T-IT(2.8mm)

AE-VC1224T-IT(2.1mm),

▪ Dimension



Unit: mm (inch)

Headquarters

No.555 Qianmo Road, Binjiang District,
Hangzhou 310051, China
T +86-571-8807-5998
www.hikvision.com



Follow us on social media to get the latest product and solution information.

