

## DS-3WF0FC-2N/O 2.4 Ghz 300 Mbps 1 KM Wireless Bridge



The wireless bridge can be applied in industries, such as wireless video security, railway, transportation, power and other industries, wireless video/data transmission, wireless coverage, carrier wireless backbone network construction, Wi-Fi wireless coverage, rural information construction, and wireless network coverage. The long-distance transmission of the device can guarantee multi-channel HD video transmission.

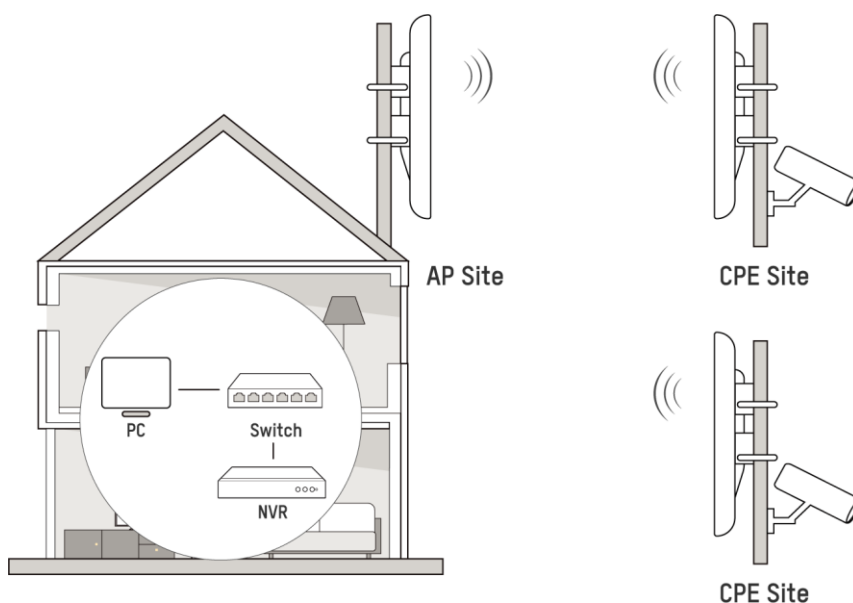
- Up to 1 km wireless transmission distance
- 300 Mbps 802.11n wireless bridge
- Built-in 7dBi 2 × 2 MIMO antenna
- Visualized topology management
- Real-Time alarm push technology

## ▪ Specification

Wireless Parameter	
Max. Transmission Rate of Air Interface	≤ 300 Mbps
Wireless Standard	IEEE 802.11b/g/n (2 × 2 MIMO 300 Mbps)
Working Frequency Band	2400 MHz ~ 2483.5 MHz
Transmitting Power	17±2 dBm (Note: Transmitting power may vary with local regulations.)
Receiving Sensitivity	-87±2 dBm @HT40 MCS0,-68 ± 2 dBm @HT40-MCS7
Antenna Gain	7 dBi
Antenna Angle	(H) Beamwidth [3 dB] 35° (V) Beamwidth [3 dB] 35°
Throughput Rate	Point to point: Support up to 8-ch IPC (2MP) in Max. 1 KM distance and Max. 40 Mbps bandwidth,Point to multi-point: Support up to 4-ch IPC (2MP) in Max. 1 KM distance and Max. 20 Mbps bandwidth within 35°±5°, Max. 1 to 4 PTMP connection
Hardware Parameter	
Network Interface	2 × 10/100 Mbps RJ45 ports
LED Indicator	Power indicator,LAN indicator,Signal intensity indicator
Reset	Hardware resetting button
Power Supply	12-24 VDC Passive PoE
Software Function	
Application Function	TDMA,DFS,TPC,IFM,IPM
Channel Width	10/20/40 MHz
Channel Selection	Auto/manual selection
Network Protocol	NTP (network time synchronization),SADP (auto search for IP address),HTTPS (web management),SSH (debugging)
Security Mode	WPA2-PSK
Security Mechanism	Wireless network name hidden
Management Method	Web,iVMS-4200,HCP
Upgrade	Web,iVMS-4200,HCP
System Log	Syslog,Control center information
General	
Product Dimensions (W × H × D)	81 mm × 165 mm × 52 mm (3.62" × 7.36" × 2.28")
Package Dimensions (W × H × D)	132 mm × 228 mm × 91 mm (5.19" × 8.97" × 3.58")
Net Weight	0.19 kg (0.42 lb)
Gross Weight	0.49 kg (1.08 lb)
Packing List	Wireless Bridge × 1,Power Adapter (12 VDC, 1 A) × 1,10/100 Mbps PoE Injector × 1,Binding Tape × 2,Quick Start Guide ×1,Regulatory Compliance and Safety Information × 1
Packing Method	Single unit packing
Working Temperature	-30 °C to 70 °C (-22 °F to 158 °F)
Working Humidity	5% to 95% (no condensation)
Storage Temperature	-40 °C to 80 °C (-40 °F to 176 °F)
Storage Humidity	5% to 95% (no condensation)
Installation Mode	Pole Mounting
Ingress Protection	IP55
Power Consumption	1.8 W for typical (1-ch 2MP IPC), Max. 4.5 W

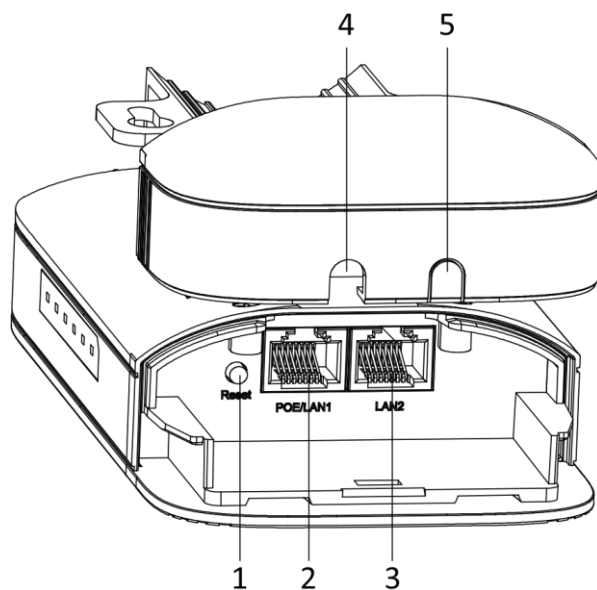
Approval	
EMC	CE-EMC (EN 55032: 2015+A11: 2020, EN IEC 61000-3-2: 2019, EN 61000-3-3: 2013+A1: 2019, EN 50130-4: 2011+A1: 2014, EN 55035: 2017+A11: 2020)
Safety	CB (AMD1:2009, AMD2:2013, IEC 62368-1: 2014 (Second Edition)), CE-LVD (EN 62368-1: 2014+A11: 2017),UL (UL 60950-1)
Chemistry	CE-RoHS (2011/65/EU),WEEE (2012/19/EU),Reach (Regulation (EC) No.1907/2006)
Radio	EN 301 893,EN 300 440,EN 62311,EN 301 489-3,EN 301 489-17

▪ **Typical Application**



▪ **Physical Interface**

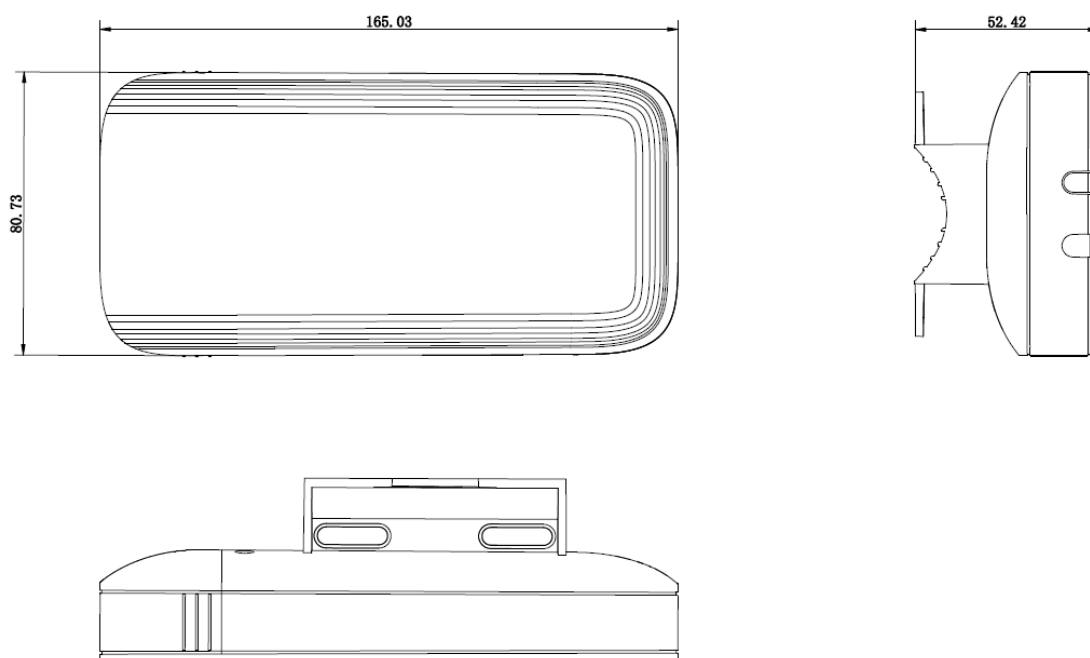
No.	Interface/Button	Description
1	Reset	Long press for 4 seconds to restore to factory settings.
2	PoE/LAN 1	The 10/100 Mbps adaptive RJ45 port, also can be used as a PoE port.
3	LAN 2	The 10/100 Mbps adaptive RJ45 port.
4/5	Network Cable Slot	Reserved for easy placement of the network cables.



▪ **Available Model**

DS-3WF0FC-2N/O

▪ **Dimension**



Unit: mm

**Headquarters**

No.555 Qianmo Road, Binjiang District,  
Hangzhou 310051, China  
T +86-571-8807-5998  
www.hikvision.com



Follow us on social media to get the latest product and solution information.

