

DS-TCP440-(D)B Series Parking Camera

Introduction

The DS-TCP440-(D)B series parking camera is applied in the parking guidance and find my car system to detect whether the parking space is occupied or not and recognize the license plate. It is integrated with the parking space status indicator which can indicate red, green, yellow, blue, cyan, and magenta colors. Red indicates the parking space is occupied, green indicates the parking space is available, and blue indicates the parking space is reserved.

The camera can be widely applied in the environment with dark light, such as road, warehouse, underground garage, bar, garden, etc. to provide HD display.



Key Feature

- Built-in high-performance AI chip, supporting ANPR (accuracy $\geq 99.5\%$), detection of the parking space status (accuracy $\geq 99.99\%$), and smart analysis of crossing over line, motion detection, etc.
- HD 4 MP camera, applied in environment with low illumination such as underground garage.
- 3D noise reduction to guarantee clean and exquisite image.
- Smart detection of the parking space status, and smart analysis of crossing over line, motion detection, etc.
- Energy-saving LED with high brightness and low consumption.
- Speed recognition in second accuracy to indicate the parking space status in real time and provide accurate available parking space number.
- Network wiring with easy connection, installation, and maintenance.
- ROI encoding.
- Two RJ45 interfaces, supporting connecting cameras in series, and no power cord is needed.
- Dual-stream.
- Built-in iBeacon module, supporting indoor positioning and navigation with the help of APP. iOS or Android SDK is provided.

Available Model

Model	Description
DS-TCP440-B (2.8 mm)	Single lens, monitoring up to three parking spaces in one direction, built-in parking space status indicator, optional iBeacon module to realize indoor positioning and navigation, external indicator controllable
DS-TCP440-B (4 mm)	
DS-TCP440-DB (2.8 mm)	Dual lens, monitoring up to six parking spaces in two directions, built-in parking space status indicator, optional iBeacon module to realize indoor positioning and navigation, external indicator controllable

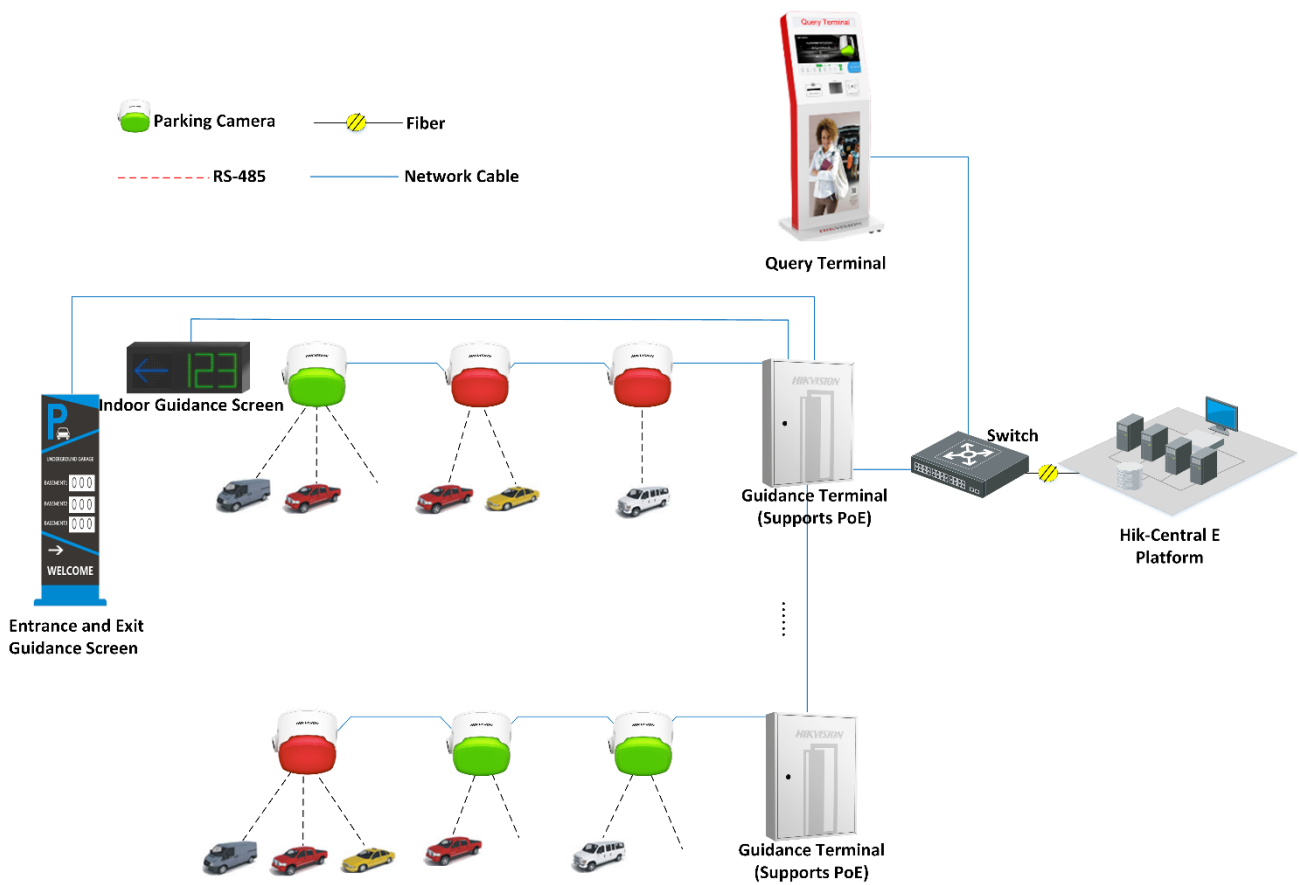


Specification

Camera	
Image Sensor	1/3" Progressive Scan CMOS
Min. Illumination	Color: 0.012 Lux @ (F2.0, AGC ON) B/W: 0.00062 Lux @ (F2.0, AGC ON)
Shutter Speed	1 to 1/100,000 second
Lens	2.8 mm/4 mm (optional)
LED Indicator	In integrated mode, red, green, yellow, blue, cyan, and magenta colors can be indicated. In separation mode, up to 3 external indicators which can indicate red, green, yellow, blue, cyan, and magenta colors can be connected. Supports indicator flashing.
Angle Adjustment	Pan: -30° to 30° Tilt: 0° to 30°
FOV	For 2.8 mm lens: horizontal: 98°, vertical: 53.1°, diagonal: 114.7° For 4 mm lens: horizontal: 75.3°, vertical: 41.4°, diagonal: 88.2°
Compression	
Video Compression	H.265/H.264/MJPEG
Output Bit Rate	32 Kbps to 16 Mbps
Image	
Image Format	JPEG
Max. Resolution	2560 × 1440
Video Standard	PAL
Frame Rate	DS-TCP440-B: 30 fps (N)/25 fps (P) DS-TCP440-DB: 15 fps (N)/15 fps (P)
Main Stream	DS-TCP440-B: 2560 × 1440 (default), 1920 × 1080, 1600 × 1200, 1280 × 720, 720 × 576 DS-TCP440-DB: 2560 × 1440 (default), 1920 × 1080, 1600 × 1200, 1280 × 720, 720 × 576
Sub-Stream	DS-TCP440-B: 2560 × 1440, 1920 × 1080, 1280 × 720, 720 × 576 (default), 352 × 288 DS-TCP440-DB: 720 × 576, 352 × 288 (default)
Image Settings	Brightness, contrast, saturation, white balance, and gain can be adjusted via client or IE browser.
Backlight Compensation	Supported. Areas can be selected.
Network	
Storage	NAS (iSCSI optional) Local storage: guidance terminal HDD
Protocol	TCP/IP, HTTP, DHCP, DNS, DDNS, RTP, RTSP, PPPoE, SMTP, NTP, UPnP, SNMP, FTP, 802.1x, QoS, HTTPS (SIP, SRTP, and IPv6 optional)
General Function	Flashing filter, dual-stream, heartbeat, mirror, password protection, privacy mask, watermark, NTP time synchronization
Smart Function	
Smart Function	Built-in AI deep-learning algorithm, supporting ANPR and parking space detection.
Interface	
Communication Interface	2 × RJ45 10 M/100 M self-adaptive Ethernet interface 1 × power interface 3 × external indicator interface
iBeacon	Standard iBeacon protocol (for -B model)

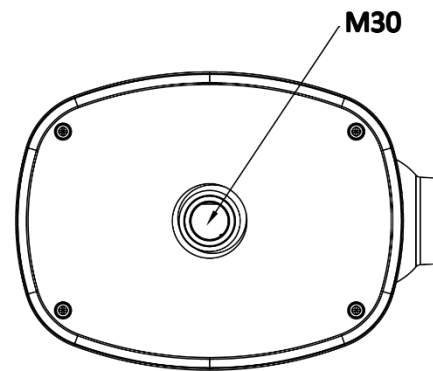
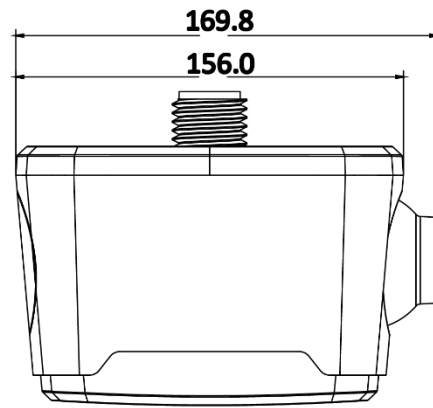
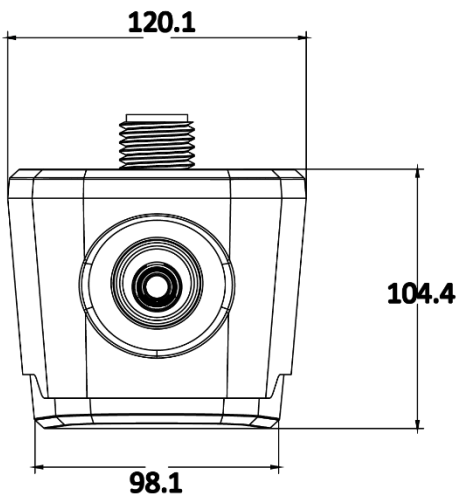
General	
Working Temperature	-20 °C to 50 °C (-4 °F to 122 °F)
Working Humidity	< 95% (no condensation)
Protection Level	IP54
Power Supply	Hikvision PoE, or 12 to 24 VDC wide-range voltage
Consumption	Single lens: max. 6.5 W Dual lens: max. 10 W
Weight	500 g (1.1 lb)

Typical Application



Dimension

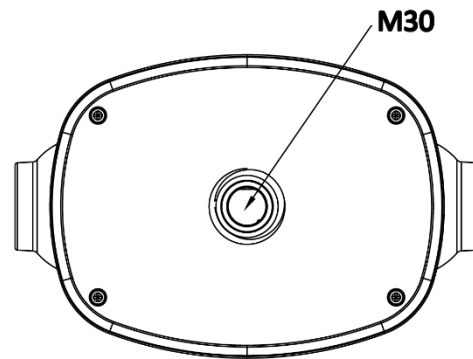
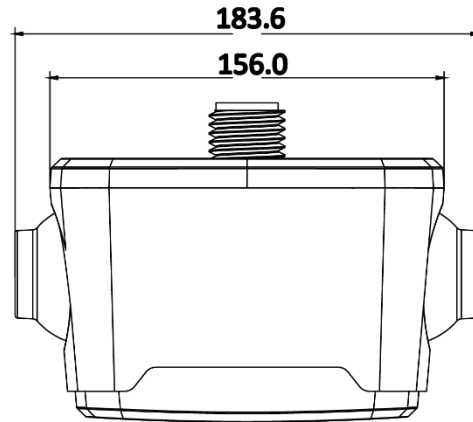
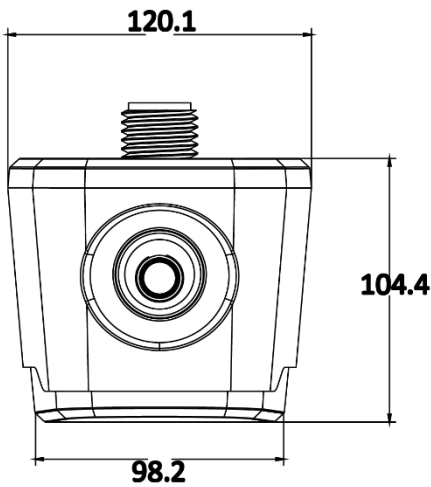
(Single Lens)



Unit: mm

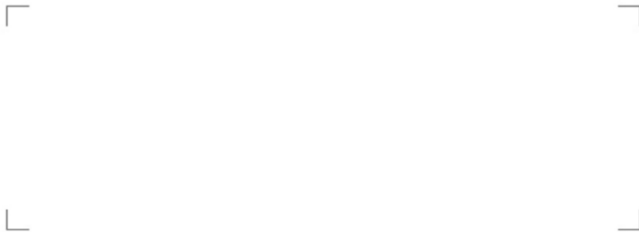
Dimension

(Dual Lens)



Unit: mm

Distributed by



HIKVISION

Headquarters

No.555 Qianmo Road, Binjiang District,
Hangzhou 310051, China
T +86-571-8807-5998
overseasbusiness@hikvision.com

Hikvision USA
T +1-909-895-0400
sales.usa@hikvision.com

Hikvision Australia
T +61-2-8599-4233
salesau@hikvision.com

Hikvision India
T +91-22-28469900
sales@pramahikvision.com

Hikvision Canada
T +1-866-200-6690
sales.canada@hikvision.com

Hikvision Thailand
T +662-275-9949
sales.thailand@hikvision.com

Hikvision Europe
T +31-23-5542770
sales.eu@hikvision.com

Hikvision Italy
T +39-0438-6902
info.it@hikvision.com

Hikvision Brazil
T +55 11 3318-0050
Latam.support@hikvision.com

Hikvision Turkey
T +90 (216)521 7070- 7074
sales.tr@hikvision.com

Hikvision Malaysia
T +601-7652-2413
sales.my@hikvision.com

Hikvision UK & Ireland
T +01628-902140
sales.uk@hikvision.com

Hikvision South Africa
Tel: +27 (10) 0351172
sale.africa@hikvision.com

Hikvision France
T +33(0)1-85-330-450
info.fr@hikvision.com

Hikvision Kazakhstan
T +7-727-9730667
nikia.panfilov@hikvision.ru

Hikvision Vietnam
T +84-974270888
sales.vt@hikvision.com

Hikvision UAE
T +971-4-4432090
salesme@hikvision.com

Hikvision Singapore
T +65-6684-4718
sg@hikvision.com

Hikvision Spain
T +34-91-737-16-55
info.es@hikvision.com

Hikvision Tashkent
T +99-87-1238-9438
uzb@hikvision.ru

Hikvision Hong Kong
T +852-2151-1761
info.hk@hikvision.com

Hikvision Russia
T +7-495-669-67-99
saleru@hikvision.com

Hikvision Korea
T +82-(0)31-731-8817
sales.korea@hikvision.com

Hikvision Poland
T +48-22-460-01-50
info.pl@hikvision.com

Hikvision Indonesia
T +62-21-2933759
Sales.Indonesia@hikvision.com

Hikvision Colombia
sales.colombia@hikvision.com