

HIKVISION

Network Camera

Quick Start Guide



















User Manual

Table of Contents

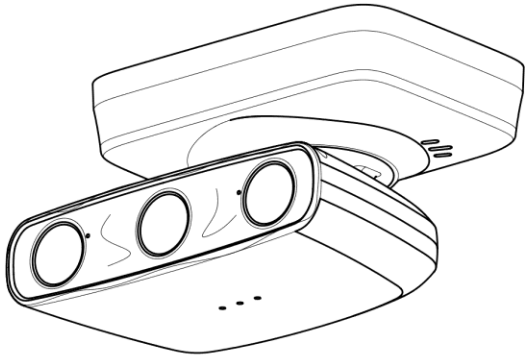
<i>English</i>	17
<i>Français</i>	20
<i>Deutsch</i>	22
<i>Español</i>	24
<i>Italiano</i>	26
<i>Português</i>	28
<i>Nederlands</i>	30
<i>Čeština</i>	33
<i>Dansk</i>	34
<i>Magyar</i>	36
<i>Polski</i>	39
<i>Română</i>	41
<i>Slovenčina</i>	43
<i>Bahasa Indonesia</i>	45
🇮🇵	47
<i>Türkçe</i>	50
<i>Русский</i>	52
<i>Українська</i>	54
العربية	56

Symbols and Marks

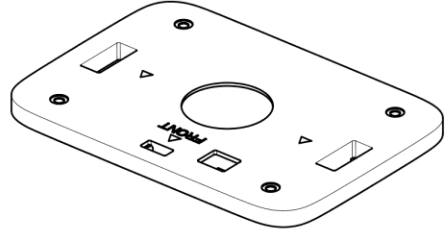
	Notice		<ul style="list-style-type: none"> i. Not necessarily included accessory. ii. Variable accessory amount. iii. Skip this step if not required.
	Warning	microSD 	MicroSD card
	Forbidden		Purchase separately
	Correct		Disposal
	Incorrect		Functional grounding
	Turn to page A and continue.		Grounding
	Other situations		Skip this step if not necessary
	Waterproof		Other situations omitted

Activate and Access Network Camera

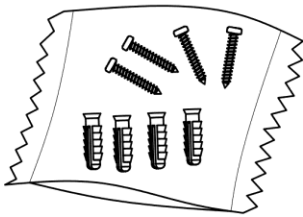




1x

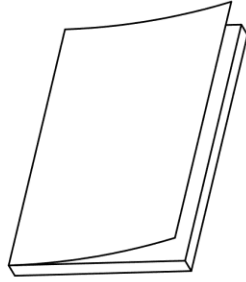


1x

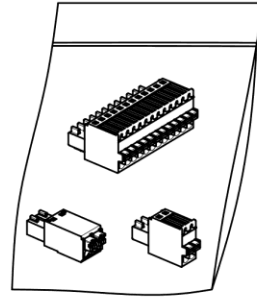


PA4x25

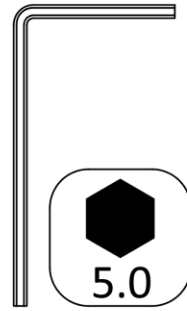
1x



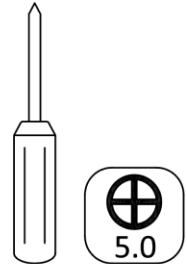
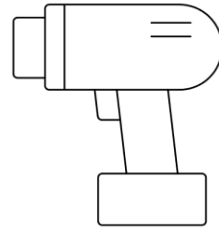
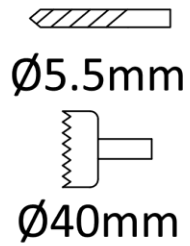
1x



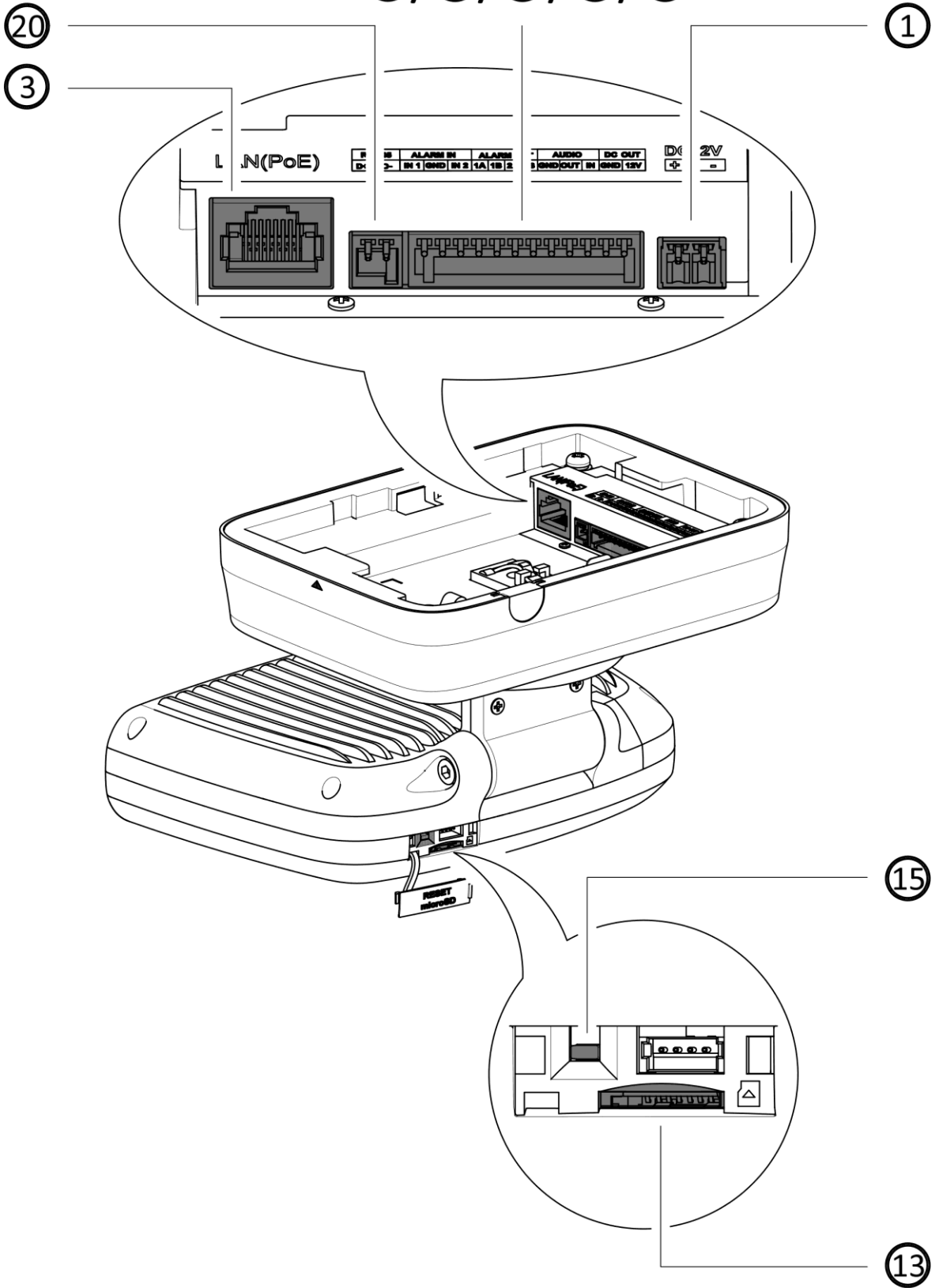
1x



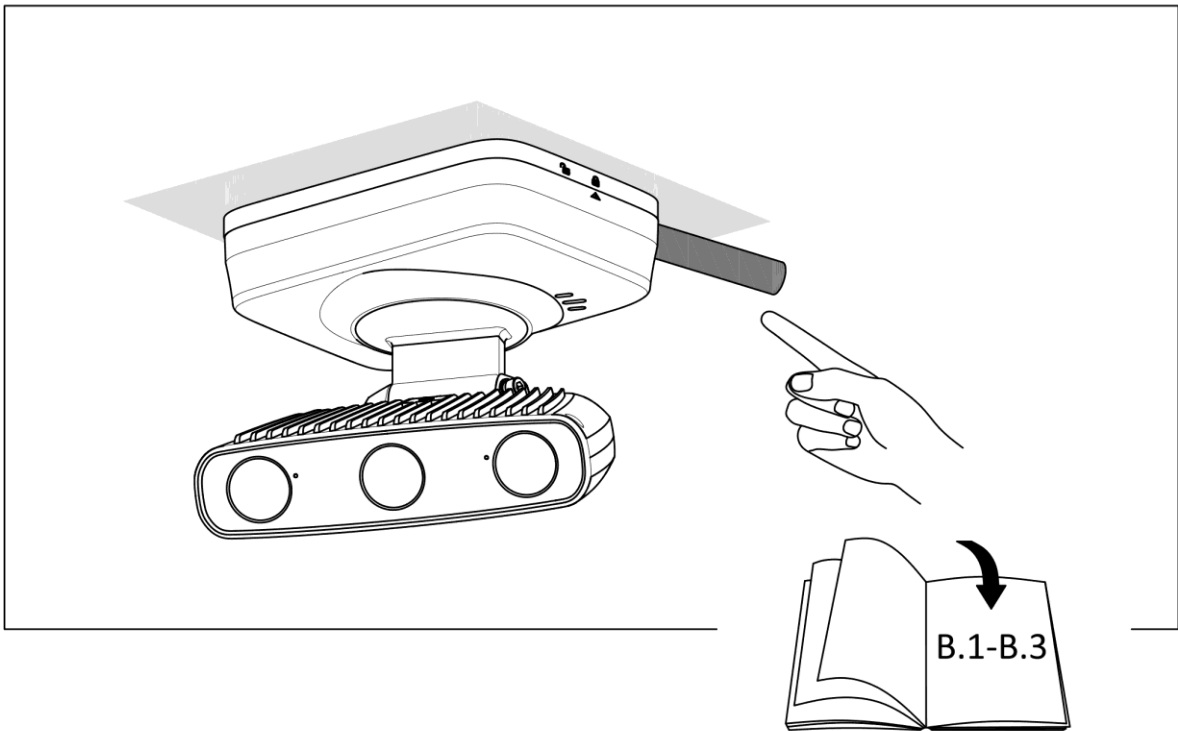
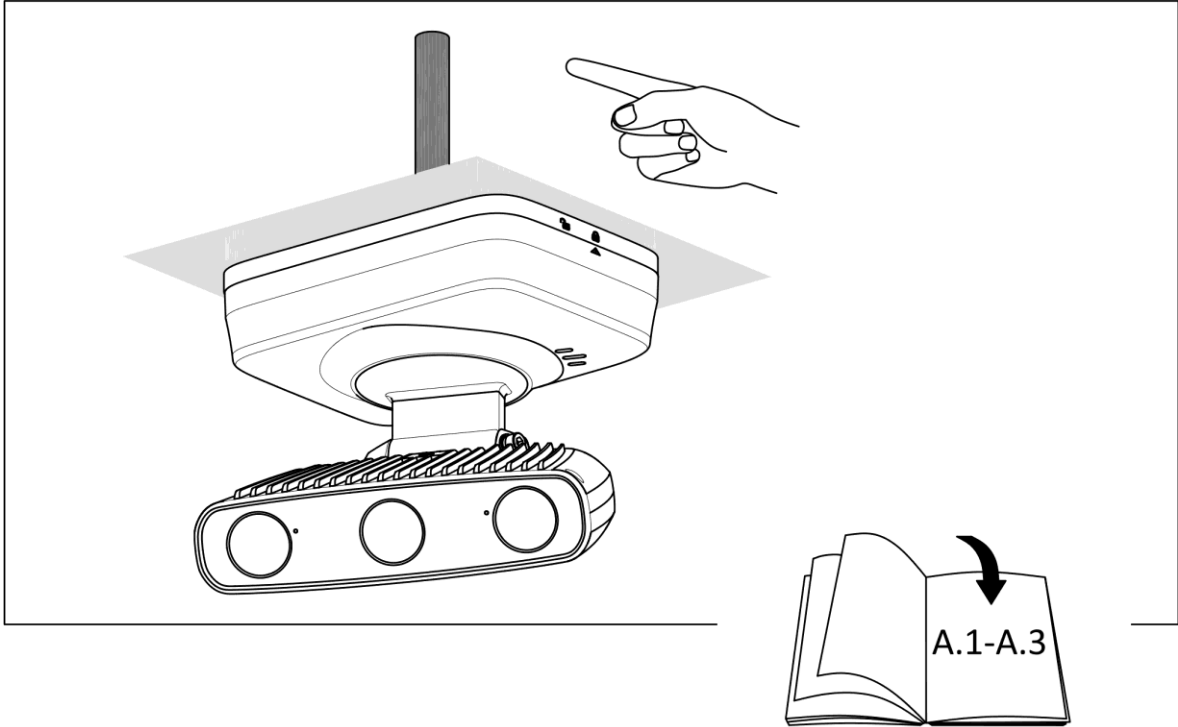
1x



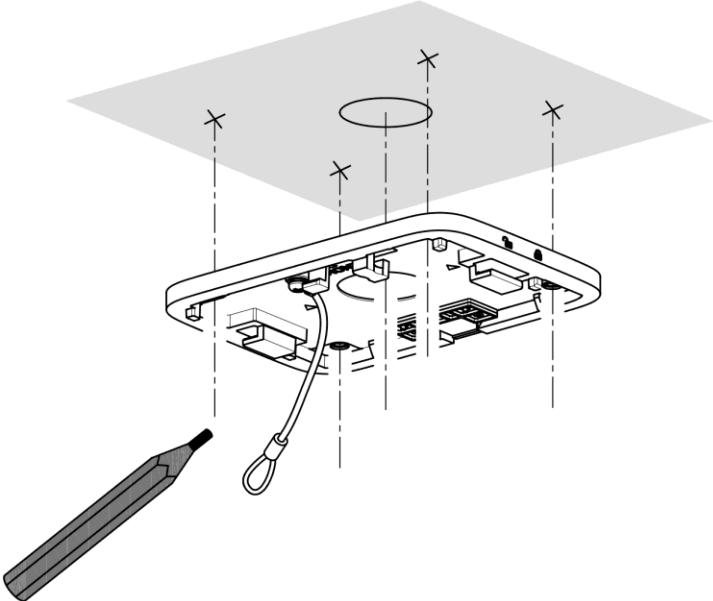
④/⑤/⑥/⑦/②



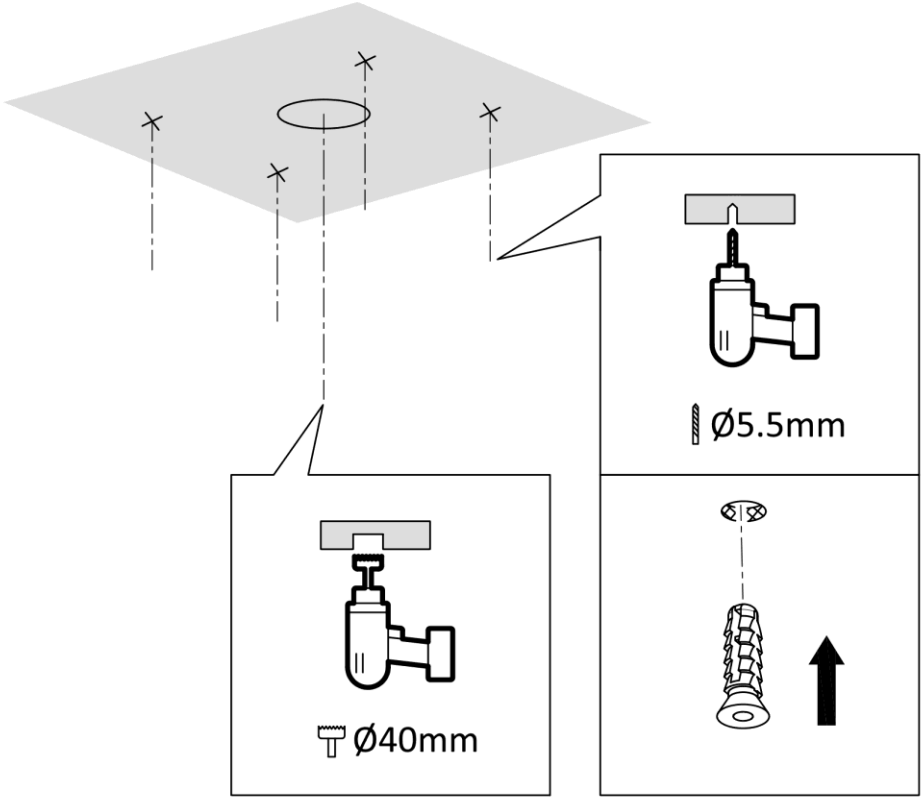
1.1



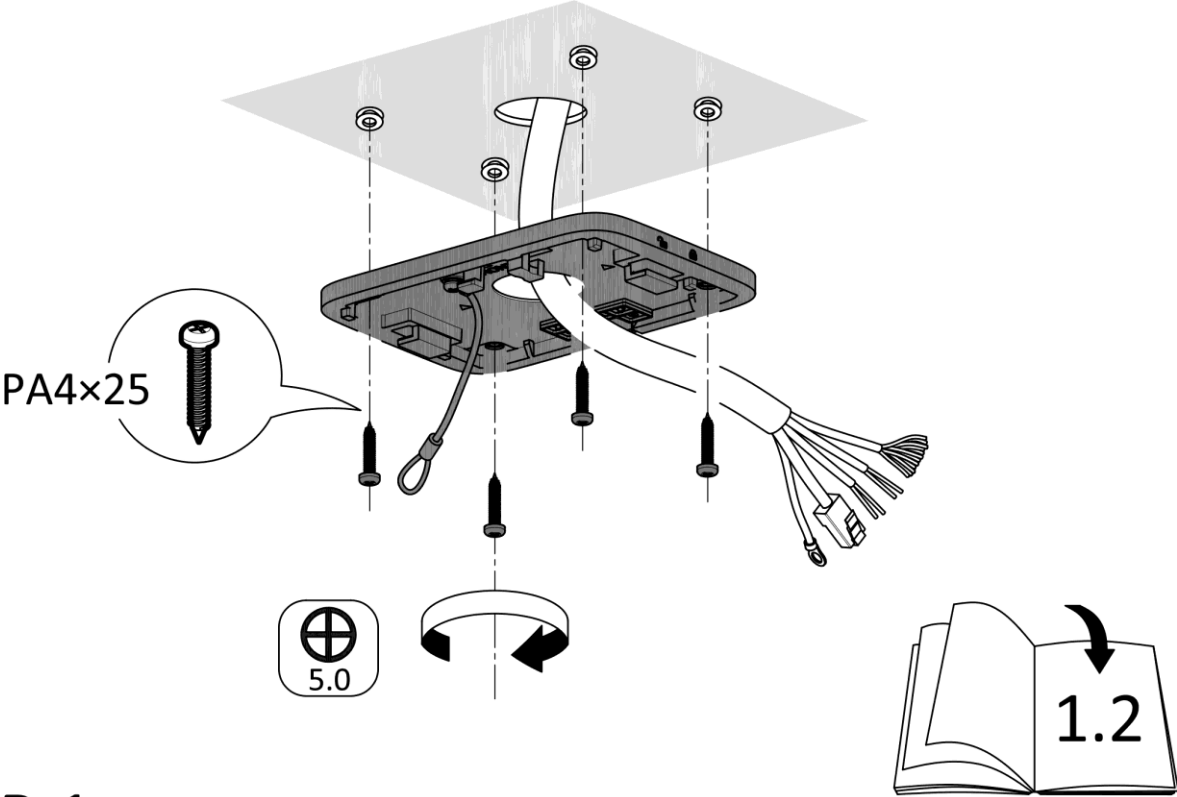
A.1



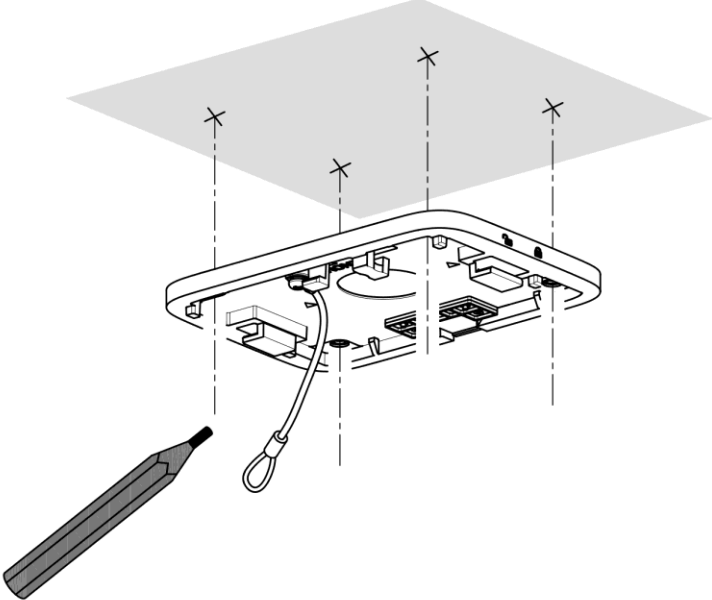
A.2



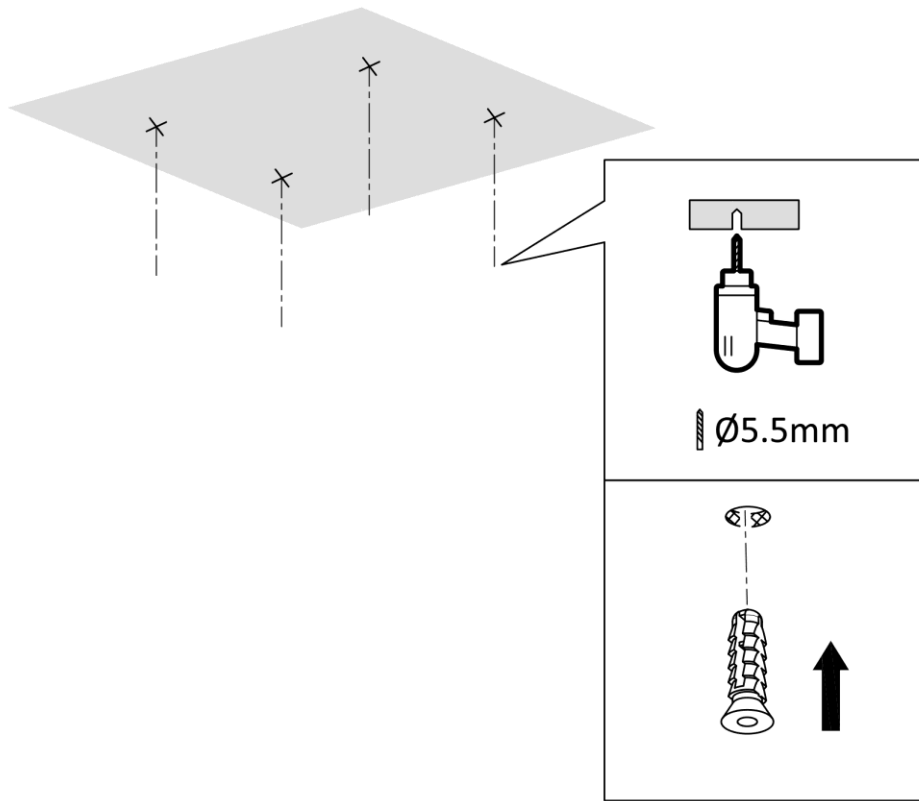
A.3



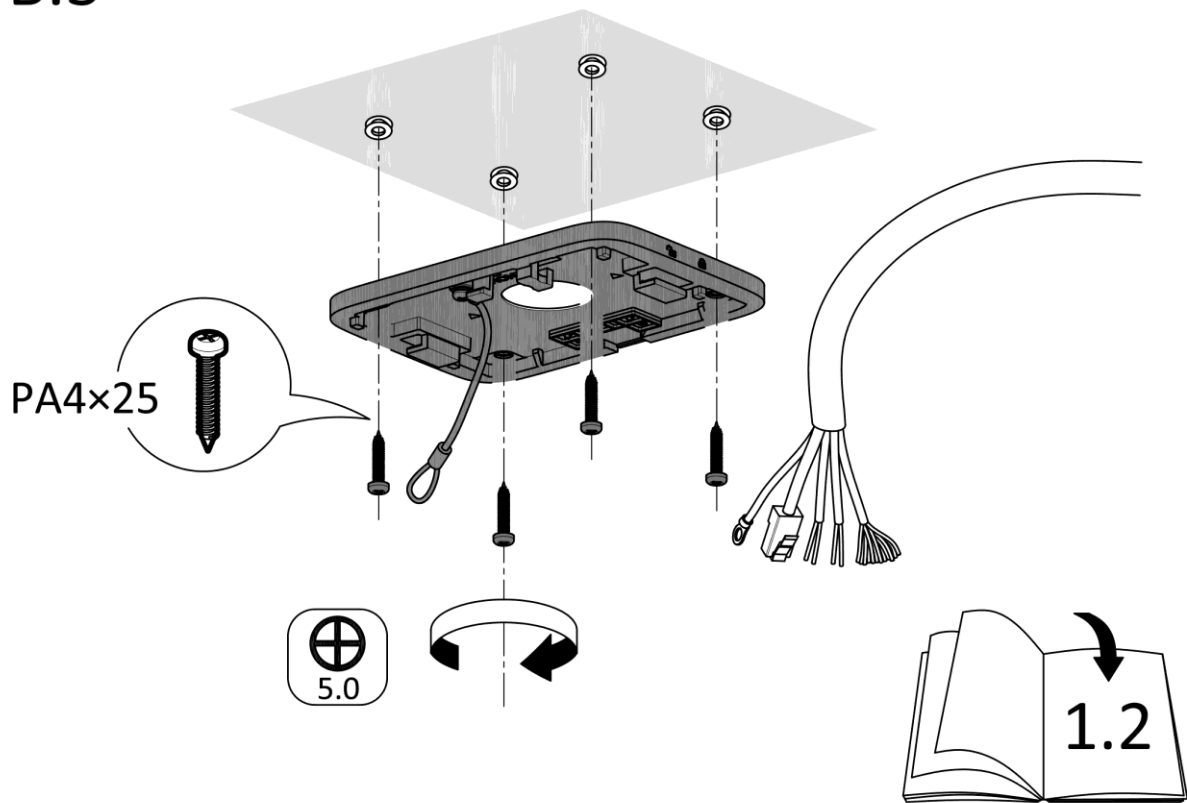
B.1

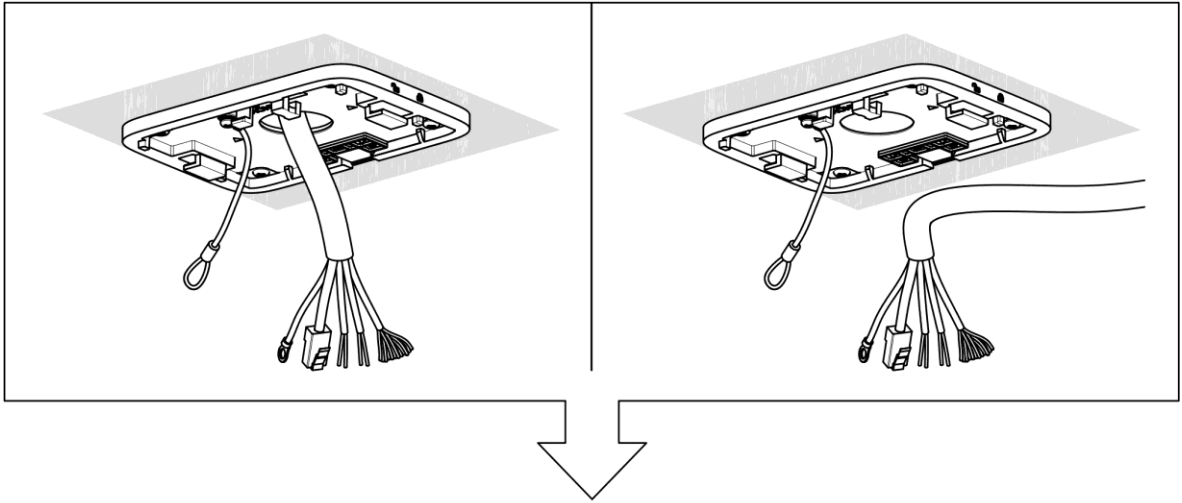


B.2

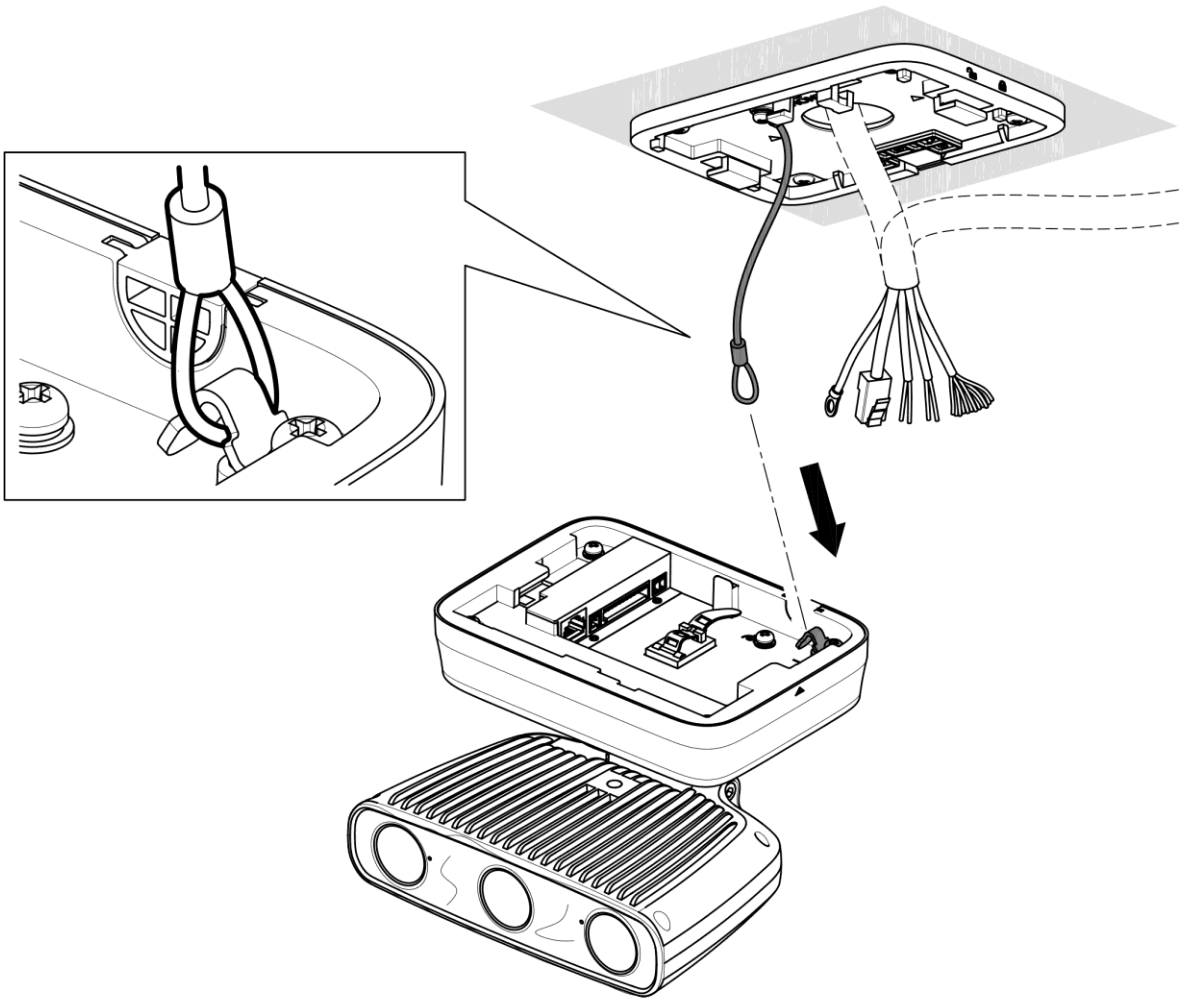


B.3

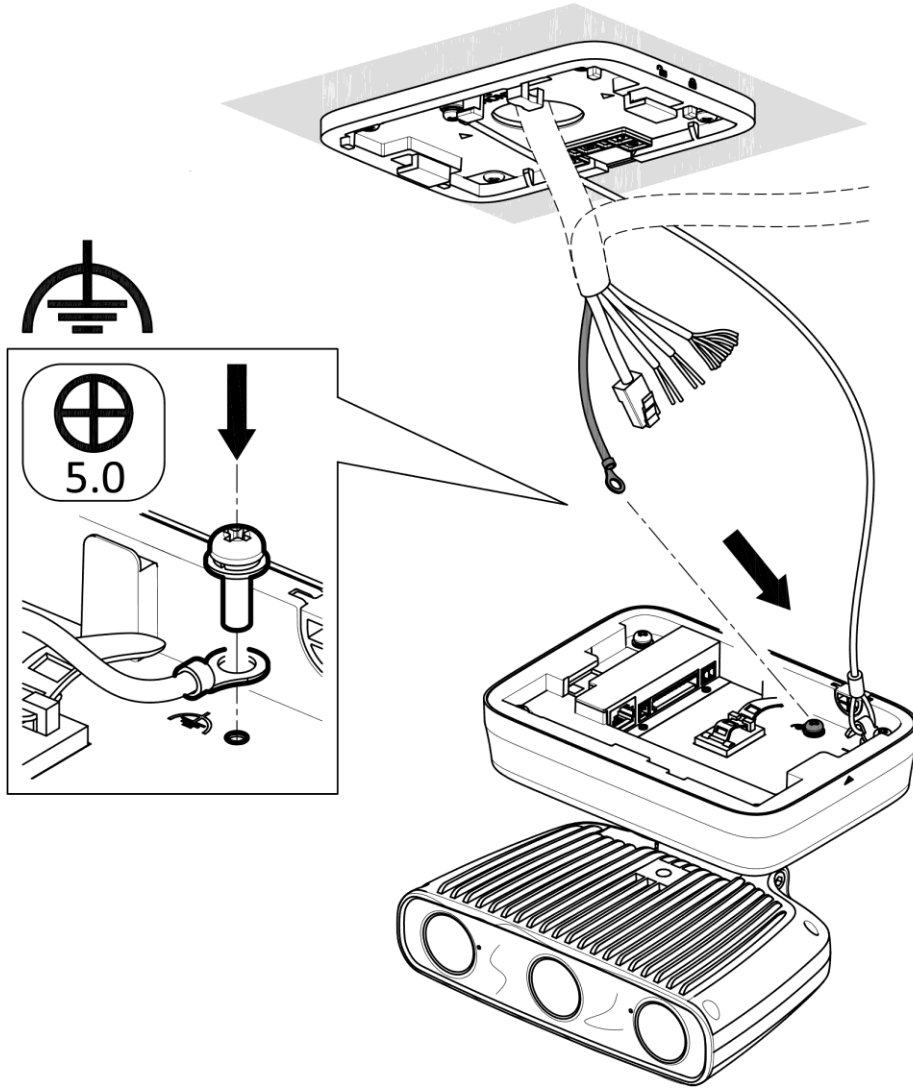




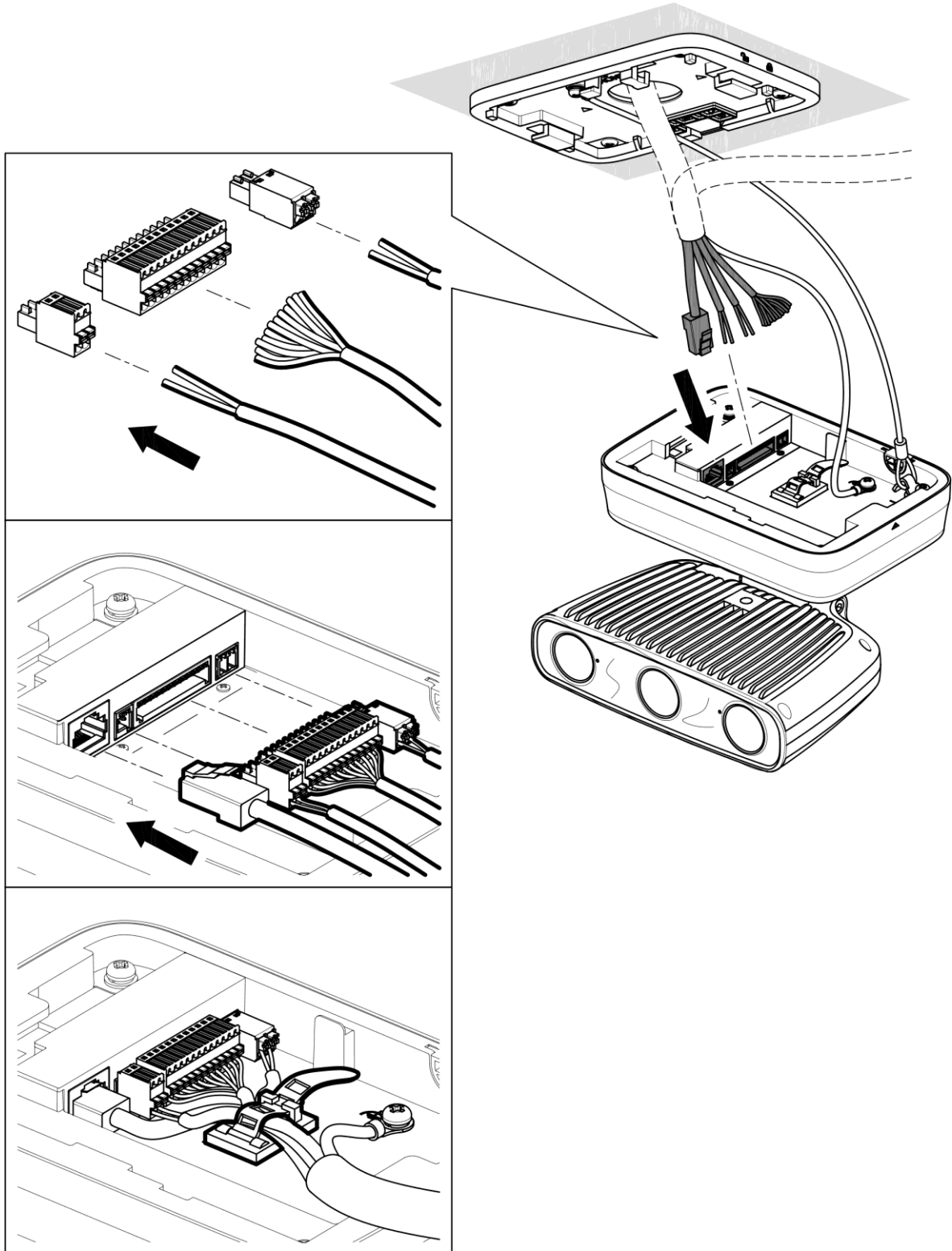
1.2



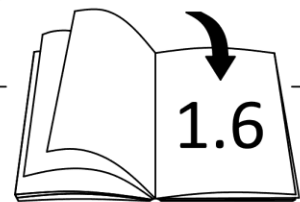
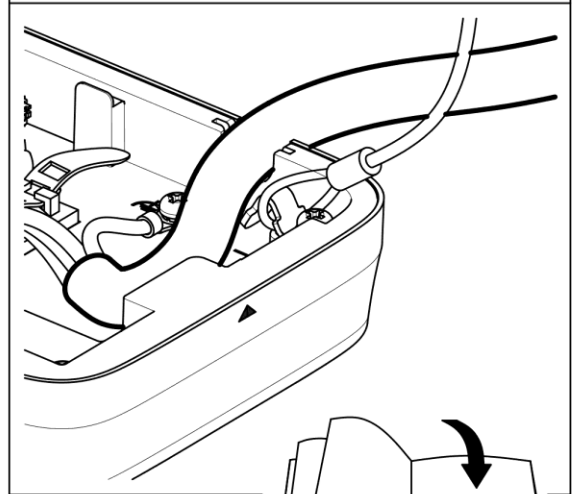
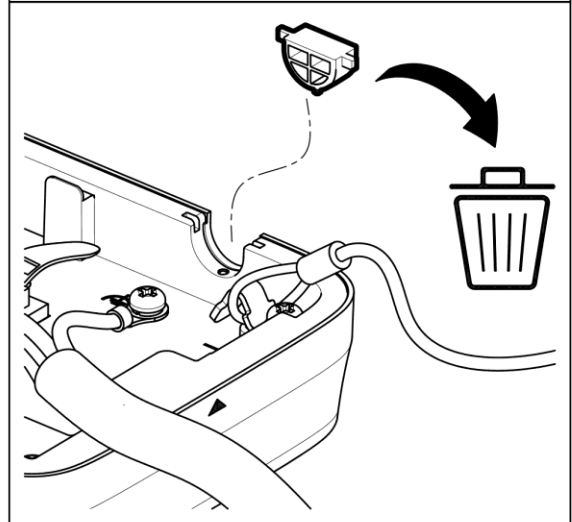
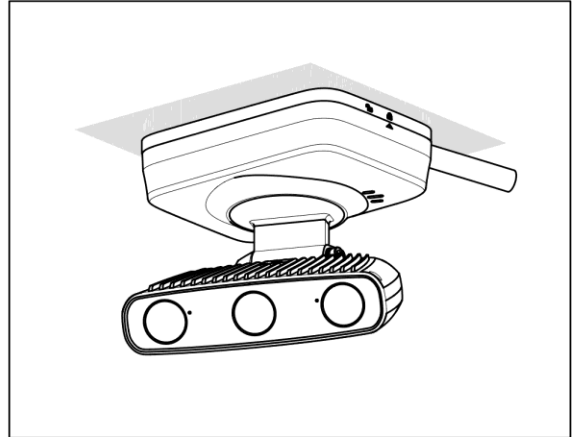
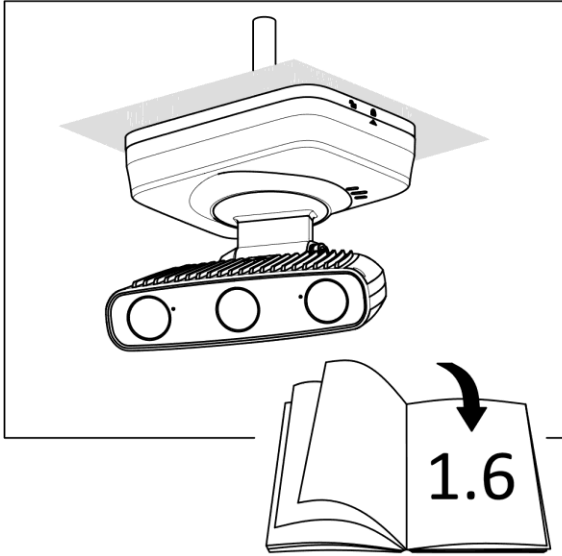
1.3



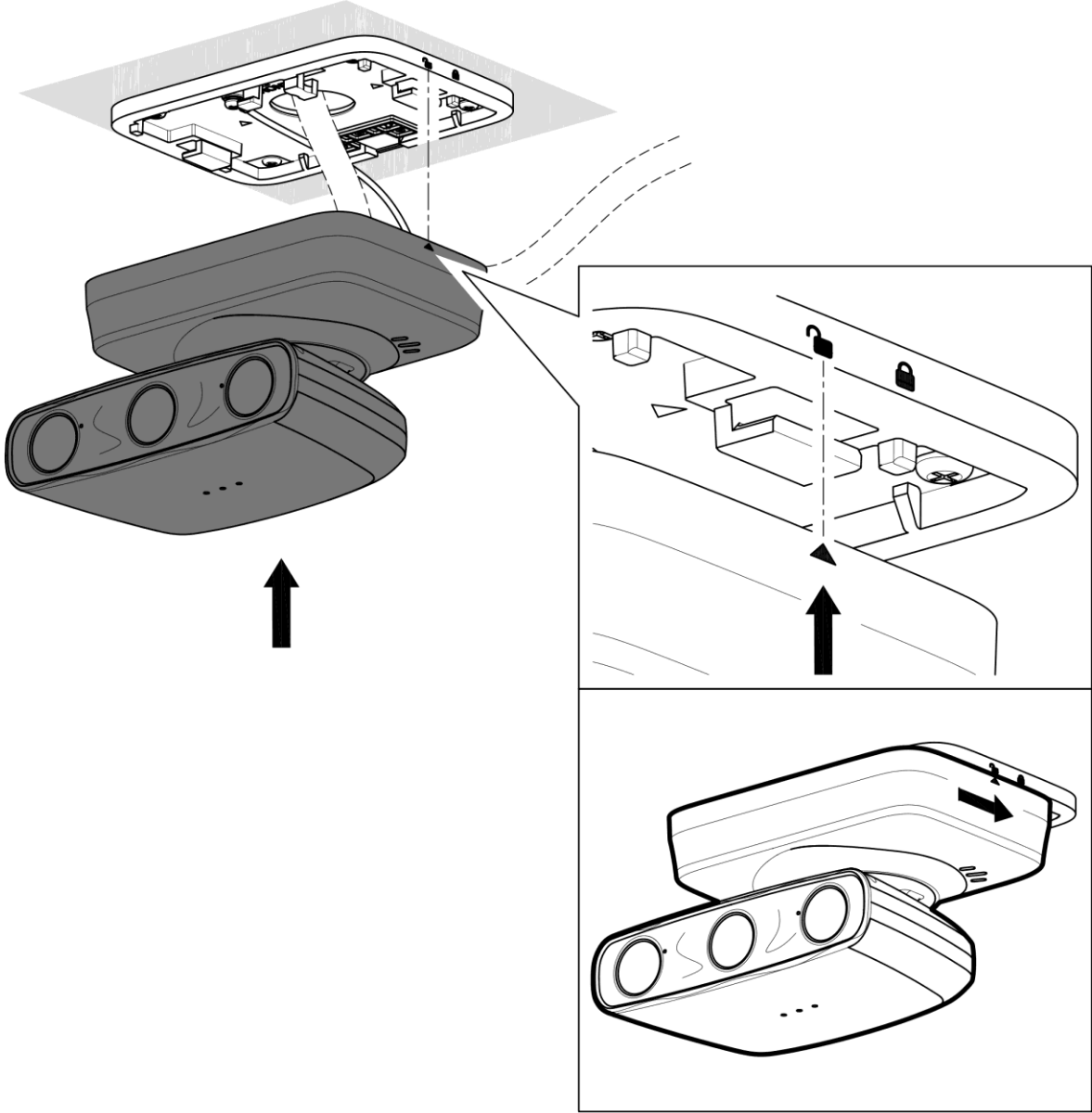
1.4

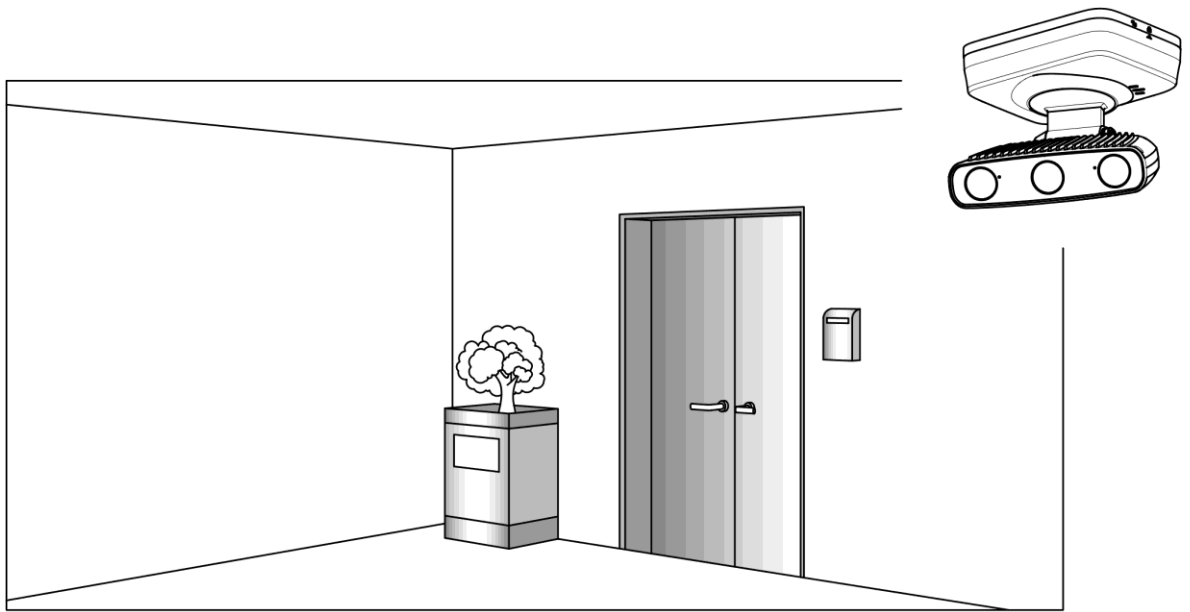


1.5

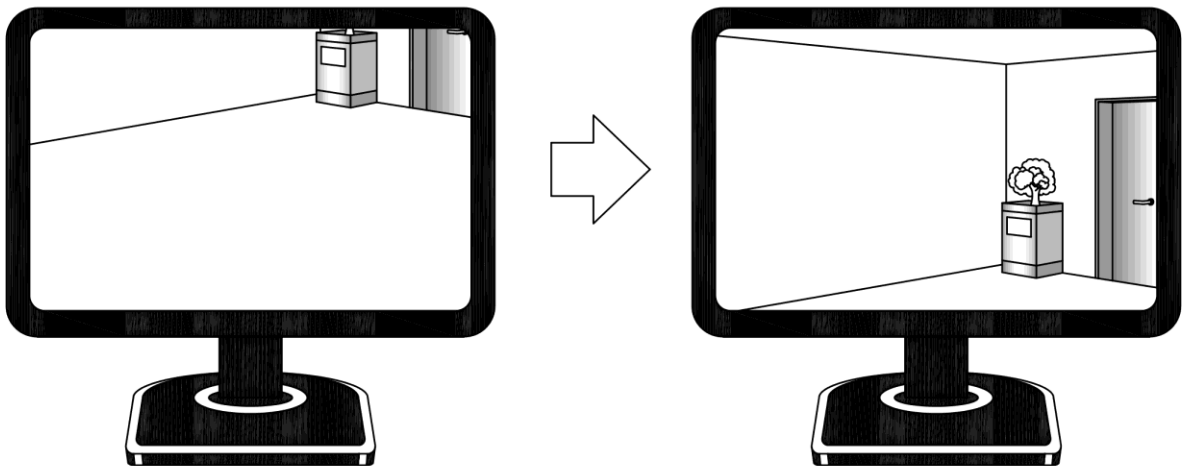
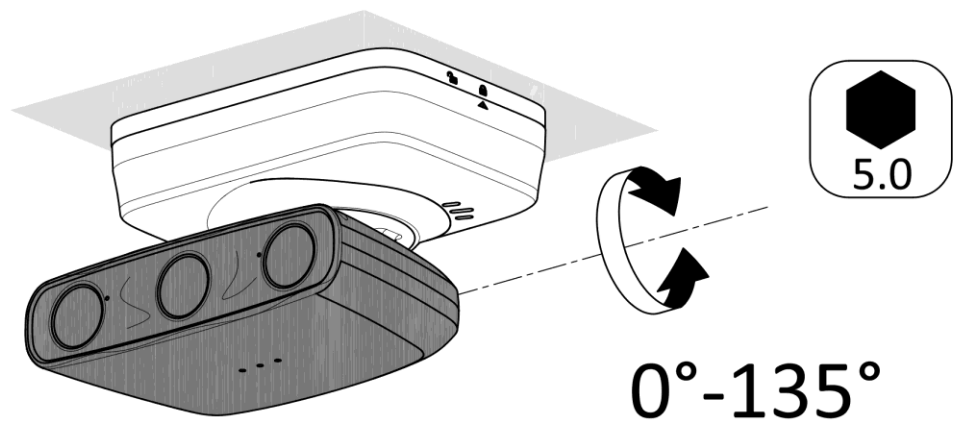


1.6

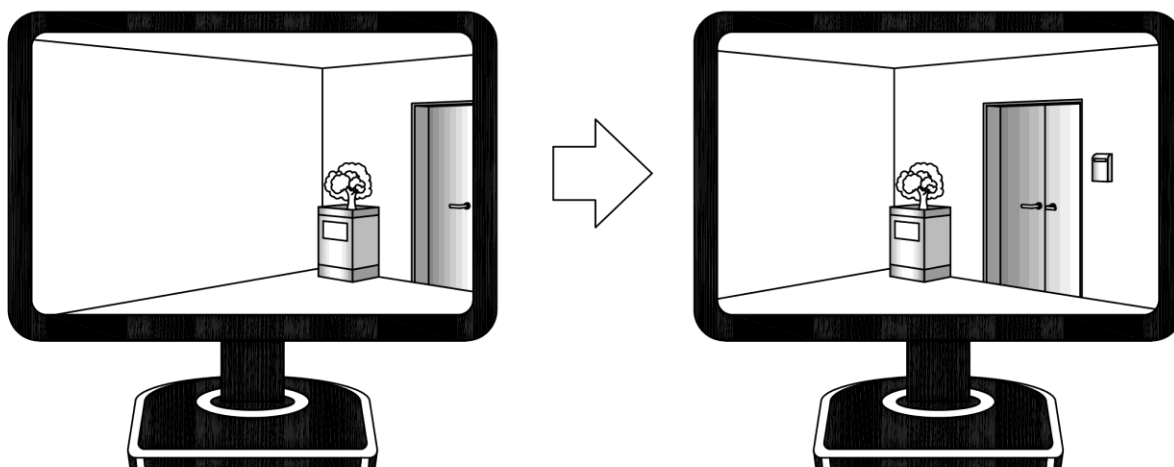
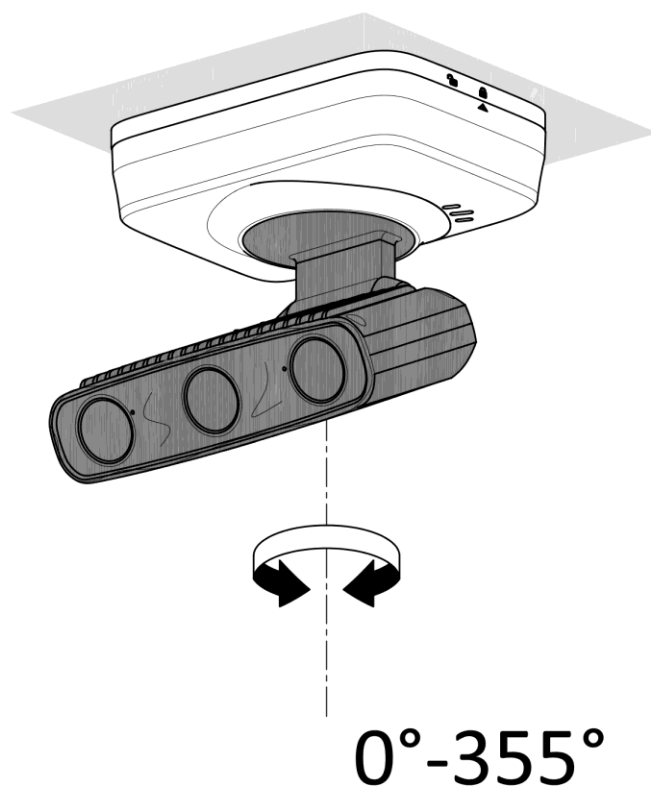




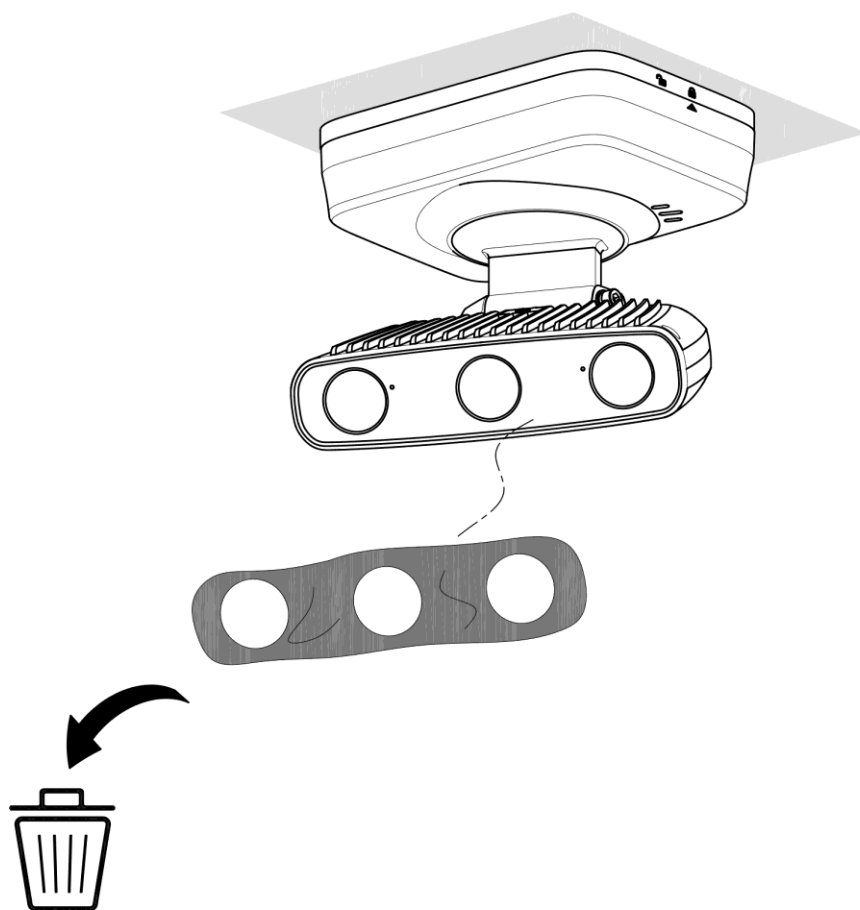
2.1




2.2



3.1



 Product appearance is for reference only and may differ from the actual product.

Interface Introduction

1	Power input interface
2	Power output interface
3	Network interface
4	Alarm input interface
5	Alarm output interface
6	Audio input interface
7	Audio output interface
8	Built-in microphone
9	Built-in speaker
10	BNC/CVBS interface
11	HDMI interface
12	SDI interface
13	SD card slot
14	SIM card slot
15	Reset button
16	Fiber optical interface
17	Heater
18	USB
19	Antenna
20	RS-485
21	RS-232
22	ABF
23	Grounding
24	Wiegand interface
25	Solar panel
26	Battery switch
27	Debug power interface
28	Solar panel power interface
29	External solar panel interface
30	SOC debug serial port
31	MCU debug serial port
32	Video input interface
33	Video output interface
34	Aviation Plug
35	Battery power output interface
36	Debug network interface

Note: The interface varies with the models. Please refer to the product datasheet for details.

Regulatory Compliance and Safety Information

Read all information and instructions in this document carefully before using the device and keep it for further reference. For more device information and instructions, please visit our website at <https://www.hikvision.com>. You can also refer to other documents (if any) accompanying the device or scan the QR code (if any) on the packaging to get more information.

About this Document

- This Document includes instructions for using and managing the Product. Pictures, charts, images and all other information hereinafter are for description and explanation only.
- The information contained in the Document is subject to change, without notice, due to firmware updates or other reasons. Please find the latest version of the Document at the Hikvision website (<https://www.hikvision.com>). Unless otherwise agreed, Hangzhou Hikvision Digital Technology Co., Ltd. or its affiliates (hereinafter referred to as "Hikvision") makes no warranties, express or implied.
- Please use the Document with the guidance and assistance of professionals trained in supporting the Product.

About this Product

This product can only enjoy the after-sales service support in the country or region where the purchase is made.

Acknowledgment of Intellectual Property Rights

- Hikvision owns the copyrights and/or patents related to the technology embodied in the Products described in this Document, which may include licenses obtained from third parties.
- Any part of the Document, including text, pictures, graphics, etc., belongs to Hikvision. No part of this Document may be excerpted, copied, translated, or modified in whole or in part by any means without written permission.
- **HIKVISION** and other Hikvision's trademarks and logos are the properties of Hikvision in various jurisdictions.
- Other trademarks and logos mentioned are the properties of their respective owners.

LEGAL DISCLAIMER

- TO THE MAXIMUM EXTENT PERMITTED BY APPLICABLE LAW, THIS DOCUMENT AND THE PRODUCT DESCRIBED, WITH ITS HARDWARE, SOFTWARE AND FIRMWARE, ARE PROVIDED "AS IS" AND "WITH ALL FAULTS AND ERRORS". HIKVISION MAKES NO WARRANTIES, EXPRESS OR IMPLIED, INCLUDING WITHOUT LIMITATION, MERCHANTABILITY, SATISFACTORY QUALITY, OR FITNESS FOR A PARTICULAR PURPOSE. THE USE OF THE PRODUCT BY YOU IS AT YOUR OWN RISK. IN NO EVENT WILL HIKVISION BE LIABLE TO YOU FOR ANY SPECIAL, CONSEQUENTIAL, INCIDENTAL, OR INDIRECT DAMAGES, INCLUDING, AMONG OTHERS, DAMAGES FOR LOSS OF BUSINESS PROFITS, BUSINESS INTERRUPTION, OR LOSS OF DATA, CORRUPTION OF SYSTEMS, OR LOSS OF DOCUMENTATION, WHETHER BASED ON BREACH OF CONTRACT, TORT (INCLUDING NEGLIGENCE), PRODUCT LIABILITY, OR OTHERWISE, IN CONNECTION WITH THE USE OF THE PRODUCT, EVEN IF HIKVISION HAS BEEN ADVISED OF THE POSSIBILITY OF SUCH DAMAGES OR LOSS.
- YOU ACKNOWLEDGE THAT THE NATURE OF THE INTERNET PROVIDES FOR INHERENT SECURITY RISKS, AND HIKVISION SHALL NOT TAKE ANY RESPONSIBILITIES FOR ABNORMAL OPERATION, PRIVACY LEAKAGE OR OTHER DAMAGES RESULTING FROM CYBER-ATTACK, HACKER ATTACK, VIRUS INFECTION, OR OTHER INTERNET SECURITY RISKS; HOWEVER, HIKVISION WILL PROVIDE TIMELY TECHNICAL SUPPORT IF REQUIRED.
- YOU AGREE TO USE THIS PRODUCT IN COMPLIANCE WITH ALL

APPLICABLE LAWS, AND YOU ARE SOLELY RESPONSIBLE FOR ENSURING THAT YOUR USE CONFORMS TO THE APPLICABLE LAW. ESPECIALLY, YOU ARE RESPONSIBLE, FOR USING THIS PRODUCT IN A MANNER THAT DOES NOT INFRINGE ON THE RIGHTS OF THIRD PARTIES, INCLUDING WITHOUT LIMITATION, RIGHTS OF PUBLICITY, INTELLECTUAL PROPERTY RIGHTS, OR DATA PROTECTION AND OTHER PRIVACY RIGHTS. YOU SHALL NOT USE THIS PRODUCT FOR ANY PROHIBITED END-USES, INCLUDING THE DEVELOPMENT OR PRODUCTION OF WEAPONS OF MASS DESTRUCTION, THE DEVELOPMENT OR PRODUCTION OF CHEMICAL OR BIOLOGICAL WEAPONS, ANY ACTIVITIES IN THE CONTEXT RELATED TO ANY NUCLEAR EXPLOSIVE OR UNSAFE NUCLEAR FUEL-CYCLE, OR IN SUPPORT OF HUMAN RIGHTS ABUSES.

- IN THE EVENT OF ANY CONFLICTS BETWEEN THIS DOCUMENT AND THE APPLICABLE LAW, THE LATTER PREVAILS.

© Hangzhou Hikvision Digital Technology Co., Ltd. All rights reserved.

These clauses apply only to the products bearing the corresponding mark or information.

FCC Compliance Statement

Note: This product has been tested and found to comply with the limits for a Class B digital device, pursuant to part 15 of the FCC Rules. These limits are designed to provide reasonable protection against harmful interference in a residential installation. This product generates, uses, and can radiate radio frequency energy and, if not installed and used in accordance with the instructions, may cause harmful interference to radio communications. However, there is no guarantee that interference will not occur in a particular installation. If this product does cause harmful interference to radio or television reception, which can be determined by turning the equipment off and on, the user is encouraged to try to correct the interference by one or more of the following measures:

- Reorient or relocate the receiving antenna.
- Increase the separation between the equipment and receiver.
- Connect the equipment into an outlet on a circuit different from that to which the receiver is connected.
- Consult the dealer or an experienced radio/TV technician for help.

Please take attention that changes or modification not expressly approved by the party responsible for compliance could void the user's authority to operate the equipment.

This device complies with part 15 of the FCC Rules. Operation is subject to the following two conditions:

- (1) this device may not cause harmful interference, and
- (2) this device must accept any interference received, including interference that may cause undesired operation.

EU/UK Compliance Statement



This product and - if applicable - the supplied accessories too are marked with "CE" and comply therefore with the applicable harmonized European standards listed under the Directive 2014/30/EU (EMCD) and Directive 2011/65/EU (RoHS).

Note: The products with the input voltage of within 50 to 1000 VAC or 75 to 1500 VDC comply with Directive 2014/35/EU (LVD), and the rest products comply with Directive 2001/95/EC (GPSD).

Please check the specific power supply information for reference. The full text of the EU declaration of conformity is available at the following internet address:

<https://www.hikvision.com/en/support/compliance/declaration-of-conformity>.



This product and - if applicable - the supplied accessories too are marked with "UKCA" and comply therefore with the following directives:

Electromagnetic Compatibility Regulations 2016, Electrical Equipment (Safety) Regulations 2016, the Restriction of the Use of Certain Hazardous Substances in Electrical and Electronic Equipment Regulations 2012.



Directive 2012/19/EU (WEEE Directive): Products marked with this symbol cannot be disposed of as unsorted municipal waste in the European Union. For proper recycling, return this product to your local

supplier upon the purchase of equivalent new equipment, or dispose of it at designated collection points. For more information see: www.recyclethis.info.

According to the Waste Electrical and Electronic Equipment Regulations 2013: Products marked with this symbol cannot be disposed of as unsorted municipal waste in the United Kingdom. For proper recycling, return this product to your local supplier upon the purchase of equivalent new equipment, or dispose of it at designated collection points. For more information see: www.recyclethis.info.



Directive 2006/66/EC and its amendment 2013/56/EU (Battery Directive): This product contains a battery that cannot be disposed of as unsorted municipal waste in the European Union. See the product documentation

for specific battery information. The battery is marked with this symbol, which may include lettering to indicate cadmium (Cd), lead (Pb), or mercury (Hg). For proper recycling, return the battery to your supplier or to a designated collection point. For more information see: www.recyclethis.info.

According to the Batteries and Accumulators (Placing on the Market) Regulations 2008 and the Waste Batteries and Accumulators Regulations 2009: This product contains a battery that cannot be disposed of as unsorted municipal waste in the United Kingdom. See the product documentation for specific battery information. The battery is marked with this symbol, which may include lettering to indicate cadmium (Cd), lead (Pb), or mercury (Hg). For proper recycling, return the battery to your supplier or to a designated collection point. For more information see: www.recyclethis.info.

Industry Canada ICES-003 Compliance

This device meets the CAN ICES-003 (B)/NMB-003 (B) standards requirements.

Cet appareil répond aux exigences des normes CAN ICES-003 (B)/NMB-003 (B).

KC

B급 기기: 이 기기는 가정용(B급) 전자파적합기기로서 주로 가정에서 사용하는 것을 목적으로 하며, 모든 지역에서 사용할 수 있습니다.

Safety Instruction

These instructions are intended to ensure that the user can use the product correctly to avoid danger or property loss.

Laws and Regulations

The device should be used in compliance with local laws, electrical safety regulations, and fire prevention regulations.

Electricity

In the use of the product, you must be in strict compliance with the electrical safety regulations of the nation and region. The equipment shall not be exposed to dripping or splashing and that no objects filled with liquids, such as vases, shall be placed on the equipment. Provide a surge suppressor at the inlet opening of the equipment under special conditions such as the mountain top, iron tower, and forest. CAUTION: If the fuse of the device can be replaced, replace it only with the same model to reduce the risk of fire or electric shock. Do not touch the bare components (such as the metal contacts of the inlets) and wait for at least 5 minutes, since electricity may still exist after the device is powered off. For the device powered on and off only by power plug and socket-outlet, the socket-outlet shall be installed near the device and easily accessible.

Battery

Do not ingest battery. Chemical burn hazard! This product contains a coin/button cell battery. If the coin/button cell battery is swallowed, it can cause severe internal burns in just 2 hours and can lead to death. Keep new and used batteries away from children. If the battery compartment does not close securely, stop using the product and keep it away from children. If you think batteries might have been swallowed or placed inside any part of the body, seek immediate medical attention. CAUTION: Risk of explosion if the battery is replaced by an incorrect type. Dispose of used batteries according to the instructions. Improper replacement of the battery with an incorrect type may defeat a safeguard (for example, in the case of some lithium battery types). Do not dispose of the battery into fire or a hot oven, or mechanically crush or cut the battery, which may result in an explosion. Do not leave the battery in an extremely high temperature surrounding environment, which may result in an explosion or the leakage of flammable liquid or gas. Do not subject the battery to extremely low air pressure, which may result in an explosion or the leakage of flammable liquid or gas. + identifies the positive terminal(s) of equipment which is used with, or generates direct current. - identifies the negative terminal(s) of equipment which is used with, or generates direct current.

Fire Prevention

No naked flame sources, such as lighted candles, should be placed on the equipment. The serial port of the equipment is used for debugging only.

Hot Surface Prevention

CAUTION: Hot parts! Burned fingers when handling the parts. Wait



one-half hour after switching off before handling parts. This sticker is to indicate that the marked item can be hot and should not be touched without taking

care. For device with this sticker, this device is intended for installation in a restricted access location, access can only be gained by service persons or by users who have been instructed about the reasons for the restrictions applied to the location and about any precautions that shall be taken.

Installation

Install the device according to the instructions in this manual. To prevent injury, this device must be securely attached to the installation surface in accordance with the installation instructions. Never place the device in an unstable location. The device may fall, causing serious personal injury or death. Do not install devices for professional use in locations where children are likely to appear.

If the device is not released with a power adapter, and you need to wire the bare cables of the device: The device external wiring connected to the hazardous live terminals requires installation by an instructed person. Make sure that the power has been disconnected before you wire, install, or disassemble the device. The power supply or device must be connected to an earthed mains socket-outlet. High voltage for the power supply. Do not disassemble it. If the device needs to be wired by yourself, select the corresponding wire to supply power according to the electric parameters labeled on the device. Strip off wire with a standard wire stripper at corresponding position. To avoid serious consequences, the length of stripped wire shall be appropriate, and conductors shall not be exposed.

Power Supply

Device powered by Safety Extra-Low Voltage (SELV): The power source should meet limited power source or PS2 requirements according to IEC 60950-1 or IEC 62368-1 standard.

Device powered by AC mains supply voltage: The equipment must be connected to an earthed mains socket-outlet. An appropriate readily accessible disconnect device shall be incorporated external to the equipment. An appropriate overcurrent protective device shall be incorporated external to the equipment, not exceeding the specification of the building. An all-pole mains switch shall be incorporated in the electrical installation of the building. If the device is powered by terminals connected to the power cord, ensure correct voltage and wiring of the terminals for connection to mains supply. The equipment has been designed, when required, modified for connection to an IT power distribution system.

White Light Illuminator (If supported)

Possibly hazardous optical radiation emitted from this product. DO NOT stare at operating light source. May be harmful to the eyes. Wear appropriate eye protection or DO NOT turn on the white light when you assemble, install or maintain the camera.

Transportation

Keep the device in original or similar packaging while transporting it.

System Security

Please understand that you have the responsibility to configure all the passwords and other security settings about the device, and keep your user name and password.

Maintenance

If the product does not work properly, please contact your dealer or the nearest service center. We shall not assume any responsibility for problems caused by unauthorized repair or maintenance.

Cleaning

Please use a soft and dry cloth when clean inside and outside surfaces of the product cover. Do not use alkaline detergents.

Using Environment

When any laser equipment is in use, make sure that the device lens is not exposed to the laser beam, or it may burn out. DO NOT expose the device to high electromagnetic radiation or dusty environments. For indoor-only device, place it in a dry and well-ventilated environment. DO NOT aim the lens at the sun or any other bright light. Make sure the running environment meets the requirement of the device. DO NOT place the camera in extremely hot, cold, dusty or damp locations, and do not expose it to high electromagnetic radiation.

Emergency

If smoke, odor, or noise arises from the power supply or device, immediately turn off the power, unplug the power cable, and

contact the service center.

Time Synchronization

Set up device time manually for the first time access if the local time is not synchronized with that of the network. Visit the device via Web browser/client software and go to time settings interface.

Français

Conformité à la réglementation et consignes de sécurité

Lisez soigneusement toutes les informations et instructions de ce document avant d'utiliser l'appareil et conservez-le pour toute référence ultérieure.

Pour plus d'informations et d'instructions sur l'appareil, veuillez consulter notre site Internet à l'adresse <https://www.hikvision.com>. Vous pouvez également consulter les autres documents (le cas échéant) accompagnant l'appareil ou scanner le code QR (le cas échéant) sur l'emballage pour obtenir plus d'informations.

MENTIONS LÉGALES

- DANS LES LIMITES AUTORISÉES PAR LA LOI EN VIGUEUR, LE PRÉSENT DOCUMENT ET LE PRODUIT DÉCRIT, AINSI QUE SON MATÉRIEL, SES LOGICIELS ET SES MICROLOGICIELS, SONT FOURNIS « EN L'ÉTAT » ET « AVEC CES DÉFAUTS ET ERREURS ». HIKVISION NE FAIT AUCUNE GARANTIE, EXPLICITE OU IMPLICITE, Y COMPRIS, MAIS SANS S'Y LIMITER, DE QUALITÉ MARCHANDE, DE QUALITÉ SATISFAISANTE, OU D'ADÉQUATION À UN USAGE PARTICULIER. VOUS UTILISEZ LE PRODUIT À VOS PROPRES RISQUES. HIKVISION NE SERA EN AUCUN CAS TENU RESPONSABLE POUR TOUT DOMMAGE SPÉCIAL, CONSÉCUTIF, ACCESSOIRE OU INDIRECT, Y COMPRIS, ENTRE AUTRES, LES DOMMAGES RELATIFS À LA PERTE DE PROFITS D'ENTREPRISE, À L'INTERRUPTION D'ACTIVITÉS COMMERCIALES, OU LA PERTE DES DONNÉES, LA CORRUPTION DES SYSTÈMES, OU LA PERTE DES DOCUMENTS, S'ILS SONT BASÉS SUR UNE VIOLATION DE CONTRAT, UNE FAUTE (Y COMPRIS LA NÉGLIGENCE), LA RESPONSABILITÉ EN MATIÈRE DE PRODUITS, OU AUTRE, EN RAPPORT AVEC L'UTILISATION DU PRODUIT, MÊME SI HIKVISION A ÉTÉ INFORMÉ DE LA POSSIBILITÉ D'UN TEL DOMMAGE OU D'UNE TELLE PERTE.
- VOUS RECONNAISSEZ QUE LA NATURE D'INTERNET EST SOURCE DE RISQUES DE SÉCURITÉ INHÉRENTS, ET HIKVISION SE DÉGAGE DE TOUTE RESPONSABILITÉ EN CAS DE FONCTIONNEMENT ANORMAL, DIVULGATION D'INFORMATIONS CONFIDENTIELLES OU AUTRES DOMMAGES DÉCOULANT D'UNE CYBERATTAQUE, D'UN PIRATAGE INFORMATIQUE, D'UNE INFECTION PAR DES VIRUS, OU AUTRES RISQUES DE SÉCURITÉ LIÉS À INTERNET ; TOUTEFOIS, HIKVISION FOURNIRA UNE ASSISTANCE TECHNIQUE DANS LES DÉLAIS, LE CAS ÉCHÉANT.
- VOUS ACCEPTEZ D'UTILISER CE PRODUIT CONFORMÉMENT À L'ENSEMBLE DES LOIS EN VIGUEUR. IL EST DE VOTRE RESPONSABILITÉ EXCLUSIVE DE VEILLER À CE QUE VOTRE UTILISATION SOIT CONFORME À LA LOI APPLICABLE. IL VOUS APPARTIENT SURTOUT D'UTILISER CE PRODUIT D'UNE MANIÈRE QUI NE PORTE PAS ATTEINTE AUX DROITS DE TIERS, Y COMPRIS, MAIS SANS S'Y LIMITER, LES DROITS DE PUBLICITÉ, LES DROITS DE PROPRIÉTÉ INTELLECTUELLE, OU LA PROTECTION DES DONNÉES ET D'AUTRES DROITS À LA VIE PRIVÉE. VOUS NE DEVEZ PAS UTILISER CE PRODUIT POUR TOUTE UTILISATION FINALE INTERDITE, NOTAMMENT LA MISE AU POINT OU LA PRODUCTION D'ARMES DE DESTRUCTION MASSIVE, LA MISE AU POINT OU LA FABRICATION D'ARMES CHIMIQUES OU

Reflection

Make sure that no reflective surface is too close to the device lens. The IR light from the device may reflect back into the lens causing reflection.

BIOLOGIQUES, LES ACTIVITÉS DANS LE CONTEXTE LIÉ AUX EXPLOSIFS NUCLÉAIRES OU AU CYCLE DU COMBUSTIBLE NUCLÉAIRE DANGEREUX, OU SOUTENANT LES VIOLATIONS DES DROITS DE L'HOMME.

- EN CAS DE CONFLIT ENTRE CE DOCUMENT ET LES LOIS EN VIGUEUR, CES DERNIÈRES PRÉVALENT.

Ces clauses ne s'appliquent qu'aux produits portant la marque ou l'information correspondante.

Déclaration de conformité UE



Ce produit et - le cas échéant - les accessoires fournis portent le marquage « CE » et sont donc conformes aux normes européennes harmonisées applicables

répertoriées dans la Directive 2014/30/UE (directive sur la compatibilité électromagnétique) et la Directive 2011/65/UE (RoHS).

Remarque : Les produits dont la tension d'entrée est comprise entre 50 et 1 000 V CA ou 75 et 1 500 V CC sont conformes à la directive 2014/35/UE (LVD), et les autres produits sont conformes à la directive 2001/95/CE (GPSD). Veuillez examiner les informations d'alimentation spécifiques à des fins de référence. L'intégralité du texte de la Déclaration UE de conformité est disponible à l'adresse Internet suivante :

<https://www.hikvision.com/en/support/compliance/declaration-of-conformity>.



Directive 2012/19/UE (directive DEEE) : dans l'Union européenne, les produits portant ce pictogramme ne doivent pas être déposés dans une décharge municipale où le tri des déchets n'est pas pratiqué.

Pour un recyclage adéquat, remettez ce produit à votre revendeur lors de l'achat d'un nouvel équipement équivalent, ou déposez-le dans un lieu de collecte prévu à cet effet. Pour plus de précisions, rendez-vous sur : www.recyclethis.info.



Directive 2006/66/CE et son amendement 2013/56/UE (directive sur les batteries) : ce produit renferme une pile qui ne doit pas être déposée dans une décharge municipale où le tri des déchets n'est pas pratiqué,

dans l'Union européenne. Pour plus de précisions sur la pile, reportez-vous à sa documentation. La pile porte le pictogramme ci-contre, qui peut inclure la mention Cd (cadmium), Pb (plomb) ou Hg (mercure). Pour la recycler correctement, renvoyez-la à votre revendeur ou déposez-la dans un point de collecte prévu à cet effet. Pour plus de précisions, rendez-vous sur : www.recyclethis.info.

Consignes de sécurité

Ces consignes visent à s'assurer que l'utilisateur puisse utiliser le produit correctement afin d'éviter tout danger ou dommage matériel.

Lois et réglementations

L'appareil doit être utilisé conformément à la législation locale ainsi qu'aux réglementations en matière de sécurité électrique et de prévention des incendies.

Électricité

En utilisant le produit, vous devez respecter rigoureusement la réglementation relative à la sécurité électrique de votre pays ou région. L'équipement ne doit pas être exposé aux gouttes ou aux éclaboussures et aucun objet rempli de liquide, comme un vase, ne doit être placé sur l'équipement. Prévoyez un suppresseur de surtension à l'orifice d'entrée de l'équipement dans des conditions d'installation particulières p. ex. au sommet d'une montagne, d'une tour métallique et en forêt. ATTENTION : si vous devez remplacer le fusible de l'appareil, remplacez-le uniquement par un fusible du même modèle pour réduire les risques d'incendie ou de choc électrique. Ne touchez pas les composants nus (tels que les contacts de métal des entrées) et patientez au moins 5 minutes, puisque l'appareil peut toujours être alimenté après la mise hors tension de l'appareil. Pour un appareil dont l'alimentation et l'arrêt se font uniquement par une fiche et une prise de courant, la prise de courant doit être installée près de l'appareil de façon à être facilement accessible.

Batterie

Ne pas ingérer la pile. Risque de brûlure chimique ! Ce produit contient une pile bouton. Si la pile bouton est avalée, celle-ci peut provoquer de graves brûlures internes en seulement 2 heures et entraîner la mort. Conservez les piles neuves et usagées hors de la portée des enfants. Si le compartiment des piles ne peut pas être complètement refermé, cessez d'utiliser le produit et conservez-le hors de la portée des enfants. Si vous pensez que des piles ont été ingérées ou insérées à l'intérieur d'une partie du corps, consultez immédiatement un médecin. ATTENTION : Il y a un risque d'explosion lorsque la batterie est remplacée par une batterie de type incorrect. Éliminez les piles usées conformément aux instructions. Le remplacement de la pile par une pile du mauvais type peut conduire à l'annulation d'une protection (par exemple, dans le cas de certains types de piles au lithium). Ne jetez pas une pile au feu ou dans un four chaud, ni ne broyez mécaniquement ou découpez une pile, car cela pourrait engendrer une explosion. Ne laissez pas une pile dans un environnement ambiant extrêmement chaud, car vous encourez un risque d'explosion ou une fuite de liquide ou de gaz inflammable. N'exposez pas une pile à des pressions atmosphériques extrêmement basses, car vous encourez un risque d'explosion ou une fuite de liquide ou de gaz inflammable. Le symbole « + » identifie la (les) borne(s) positive(s) de l'équipement qui est utilisé avec, ou qui génère du courant continu. Le symbole « - » identifie la (les) borne(s) négative(s) de l'équipement qui est utilisé avec, ou qui génère du courant continu.

Prévention des incendies

Aucune source de flamme nue, telle que des bougies allumées, ne doit être placée sur l'équipement. Le port série de l'équipement est utilisé uniquement à des fins de débogage.

Prévention des surfaces chaudes

ATTENTION : Composants chauds ! La manipulation des pièces risque de brûler les doigts. Attendez une demi-heure après l'arrêt de l'appareil avant de manipuler les pièces. Cet autocollant indique que l'élément



marqué peut être chaud et qu'il doit être manipulé avec précaution. La présence de cet autocollant sur un appareil indique qu'il doit être installé dans une zone dont l'accès est restreint et réservé au personnel de service ou aux utilisateurs ayant été formés sur les raisons des restrictions appliquées à cette zone, et sur toutes les précautions à prendre.

Installation

Installez l'appareil conformément aux instructions dans ce manuel. Pour éviter toute blessure, cet appareil doit être fermement fixé à la surface d'installation conformément aux instructions d'installation. Ne placez jamais l'appareil dans un endroit instable. L'appareil peut tomber et provoquer des blessures corporelles graves ou la mort. N'installez pas d'appareils à usage professionnel aux endroits où des enfants sont susceptibles de se trouver. Si l'appareil n'est pas fourni avec un adaptateur d'alimentation et que vous devez en connecter les câbles nus : le câblage externe connecté aux bornes dangereuses sous tension nécessite d'être installé par une personne qualifiée. S'assurer que l'alimentation est coupée avant de procéder au câblage, à l'installation ou au démontage de l'appareil.

L'alimentation ou l'appareil doit être connecté à une prise électrique secteur mise à la terre. Haute tension pour l'alimentation électrique. Ne pas le démonter. Si vous devez câbler l'appareil vous-même, sélectionnez le câble correspondant à l'alimentation électrique en fonction des paramètres électriques indiqués sur l'appareil. Dénudez le câble à l'aide d'une pince à dénuder standard à l'endroit correspondant. Pour éviter des conséquences graves, la longueur du câble dénudé doit être appropriée et les conducteurs ne doivent pas être exposés.

Alimentation électrique

Dispositif alimenté par une très basse tension de sécurité (TBTS) : La source d'alimentation doit répondre aux exigences AE2 ou relatives à une source d'alimentation limitée conformément à la norme CEI 60950-1 ou CEI 62368-1.

Dispositif alimenté par une alimentation secteur : L'équipement doit être connecté à une prise de courant reliée à la terre. Un dispositif de déconnexion approprié et facilement accessible doit être incorporé de manière externe à l'équipement. Un dispositif de protection contre les surintensités approprié doit être intégré en externe à l'équipement, sans dépasser les spécifications du bâtiment. Un interrupteur principal omnipolaire doit être intégré à l'installation électrique du bâtiment. Si l'appareil est alimenté par des bornes connectées au cordon d'alimentation, assurez-vous que la tension et le câblage des bornes sont appropriés pour un branchement à une alimentation secteur. L'équipement a été conçu, lorsque nécessaire, et modifié pour être connecté à un système à neutre impédant.

Éclairage à lumière blanche (lorsque cette fonction est prise en charge)

Ce produit est susceptible d'émettre des rayonnements optiques dangereux. NE regardez PAS la source lumineuse lorsqu'elle est allumée. Elle peut être nocive pour les yeux. Portez une protection oculaire adaptée ou N'allumez PAS la lumière blanche lorsque vous procédez à l'assemblage, à l'installation ou à l'entretien de la caméra.

Transport

Gardez l'appareil dans son emballage d'origine ou dans un emballage similaire lors de son transport.

Sécurité du système

Vous êtes responsable de la configuration de tous les mots de passe et d'autres paramètres de sécurité concernant l'appareil. Gardez votre nom d'utilisateur et votre mot de passe en sécurité.

Maintenance

Si le produit ne fonctionne pas correctement, contactez votre revendeur ou le centre de service le plus proche. Nous n'assumerons aucune responsabilité concernant les problèmes causés par une réparation ou une opération de maintenance non

autorisée.

Nettoyage

Utilisez un chiffon doux et sec pour nettoyer l'intérieur et l'extérieur du couvercle du produit. N'utilisez pas de détergent alcalin.

Environnement d'exploitation

Pendant l'utilisation de tout équipement générant un laser, veillez à ce que l'objectif de l'appareil ne soit pas exposé au faisceau laser, car il pourrait brûler. N'exposez PAS l'appareil à de puissants rayonnements électromagnétiques ou à des environnements poussiéreux. Appareil destiné à une utilisation en intérieur uniquement. Installez-le dans un endroit sec et bien aéré.

N'orientez PAS l'objectif vers le soleil ou toute autre source de lumière vive. Assurez-vous que l'environnement d'exploitation répond aux exigences de l'appareil. N'installez PAS la caméra dans des endroits extrêmement chauds ou froids, poussiéreux ou humides. La caméra ne doit pas être exposée à des radiations

électromagnétiques élevées.

Urgence

Si de la fumée, des odeurs ou du bruit s'échappent de l'alimentation électrique ou de l'appareil, mettez immédiatement l'appareil hors tension et débranchez le câble d'alimentation, puis contactez un centre de réparation.

Synchronisation de l'heure

Si l'heure locale de l'appareil n'est pas synchronisée avec celle du réseau, configurez-la manuellement lors du premier accès. Accédez à l'appareil via un navigateur Web/le logiciel client, puis rendez-vous dans l'interface des réglages de l'heure.

Réflexion

Assurez-vous qu'aucune surface réfléchissante ne se trouve à proximité de l'objectif de l'appareil. La lumière infrarouge de l'appareil peut se réfléchir dans l'objectif et entraîner des problèmes de réflexion.

Deutsch

Informationen zur Einhaltung gesetzlicher Vorschriften und zur Sicherheit

Lesen Sie alle Informationen und Anweisungen in diesem Dokument sorgfältig, bevor Sie das Gerät in Betrieb nehmen und bewahren Sie sie zum Nachschlagen auf.

Weitere Informationen und Anweisungen zum Gerät finden Sie auf unserer Website unter <https://www.hikvision.com>. Weitere Informationen finden Sie auch in anderen Dokumenten (falls vorhanden), die dem Gerät beiliegen oder Sie können den QR-Code (falls vorhanden) auf der Verpackung scannen.

HAFTUNGSAUSSCHLUSS

- DIESES DOKUMENT UND DAS BESCHRIEBENE PRODUKT MIT SEINER HARDWARE, SOFTWARE UND FIRMWARE WERDEN, SOWEIT GESETZLICH ZULÄSSIG, IN DER „VORLIEGENDEN FORM“ UND MIT „ALLEN FEHLERN UND IRRTÜMERN“ BEREITGESTELLT. HIKVISION ÜBERNIMMT KEINE AUSDRÜCKLICHEN ODER STILLSCHWEIGENDEN GARANTIE, EINSCHLIESSLICH, ABER NICHT BESCHRÄNKT AUF DIE MARKTGÄNGIGKEIT, ZUFRIEDENSTELLENDEN QUALITÄT ODER EIGNUNG FÜR EINEN BESTIMMTEN ZWECK. DIE NUTZUNG DES PRODUKTS DURCH SIE ERFOLGT AUF IHRE EIGENE GEFAHR. IN KEINEM FALL IST HIKVISION IHNEN GEGENÜBER HAFTBAR FÜR BESONDERE, ZUFÄLLIGE, DIREKTE ODER INDIREKTE SCHÄDEN, EINSCHLIESSLICH, JEDOCH NICHT DARAUF BESCHRÄNKT, VERLUST VON GESCHÄFTSGEWINNEN, GESCHÄFTSUNTERBRECHUNG, DATENVERLUST, SYSTEMBESCHÄDIGUNG, VERLUST VON DOKUMENTATIONEN, SEI ES AUFGRUND VON VERTRAGSBRUCH, UNERLAUBTER HANDLUNG (EINSCHLIESSLICH FAHRLÄSSIGKEIT), PRODUKTHAFTUNG ODER ANDERWEITIG, IN VERBINDUNG MIT DER VERWENDUNG DIESER PRODUKTS, SELBST WENN HIKVISION ÜBER DIE MÖGLICHKEIT DERARTIGER SCHÄDEN ODER VERLUSTE INFORMIERT WAR.
- SIE ERKENNEN AN, DASS DIE NATUR DES INTERNETS DAMIT VERBUNDENE SICHERHEITSRISIKEN BEINHÄLTET. HIKVISION ÜBERNIMMT KEINE VERANTWORTUNG FÜR ANORMALEN BETRIEB, DATENVERLUST ODER ANDERE SCHÄDEN, DIE SICH AUS CYBERANGRIFFEN, HACKERANGRIFFEN, VIRUSINFESTION ODER ANDEREN SICHERHEITSRISIKEN IM INTERNET ERGEBEN. HIKVISION LEISTET JEDOCH BEI BEDARF ZEITNAH TECHNISCHEM SUPPORT.

- SIE STIMMEN ZU, DIESER PRODUKT IN ÜBEREINSTIMMUNG MIT ALLEN GELTENDEN GESETZEN ZU VERWENDEN, UND SIE SIND ALLEIN DAFÜR VERANTWORTLICH, DASS IHRE VERWENDUNG GEGEN KEINE GELTENDEN GESETZE VERSTÖßT. INSBESONDERE SIND SIE DAFÜR VERANTWORTLICH, DIESER PRODUKT SO ZU VERWENDEN, DASS DIE RECHTE DRITTER NICHT VERLETZT WERDEN, EINSCHLIESSLICH, ABER NICHT BESCHRÄNKT AUF VERÖFFENTLICHUNGSRECHTE, DIE RECHTE AN GEISTIGEM EIGENTUM ODER DEN DATENSCHUTZ UND ANDERE PERSÖNLICHKEITSRECHTE. SIE DÜRFEN DIESER PRODUKT NICHT FÜR VERBOTENE ENDANWENDUNGEN VERWENDEN, EINSCHLIESSLICH DER ENTWICKLUNG ODER HERSTELLUNG VON MASSENVERNICHTUNGSWAFFEN, DER ENTWICKLUNG ODER HERSTELLUNG CHEMISCHER ODER BIOLOGISCHER WAFFEN, JEDLICHER AKTIVITÄTEN IM ZUSAMMENHANG MIT EINEM NUKLEAREN SPRENGKÖRPER ODER UNSICHEREN NUKLEAREN BRENNSTOFFKREISLAUF BZW. ZUR UNTERSTÜTZUNG VON MENSCHENRECHTSVERLETZUNGEN.
- BEI WIDERSPRÜCHEN ZWISCHEN DIESEM DOKUMENT UND DEM GELTENDEM RECHT HAT LETZTERES VORRANG.

Diese Bestimmungen gelten nur für Produkte, die das entsprechende Zeichen oder die entsprechenden Informationen tragen.

Erklärung zur EU-Konformität



Dieses Produkt und - falls zutreffend - auch das mitgelieferte Zubehör sind mit "CE" gekennzeichnet und entsprechen somit den geltenden

harmonisierten europäischen Normen, die unter den Richtlinien 2014/30/EU (EMCD) und 2011/65/EU (RoHS) aufgeführt sind. Hinweis: Die Produkte mit einer Eingangsspannung von 50 - 1000 VAC oder 75 - 1500 VDC entsprechen der Richtlinie 2014/35/EU (NSR). Die übrigen Produkte entsprechen der Richtlinie 2001/95/EG (GPSD). Prüfen Sie bitte die entsprechenden Angaben zur Stromversorgung. Der vollständige Text der EU-Konformitätserklärung ist unter der folgenden URL-Adresse einsehbar: <https://www.hikvision.com/en/support/compliance/declaration-of-conformity>.



Richtlinie 2012/19/EU (WEEE-richtlinie): Produkte, die mit diesem Symbol gekennzeichnet sind, dürfen innerhalb der Europäischen Union nicht mit dem Hausmüll entsorgt werden. Für korrektes Recycling geben Sie dieses Produkt an Ihren örtlichen Fachhändler zurück oder entsorgen Sie es an einer der Sammelstellen. Für weitere Informationen siehe: www.recyclethis.info.



Richtlinie 2006/66/EG und ihre Änderung 2013/56/EU (Akkurichtlinie): Dieses Produkt enthält einen Akku, der innerhalb der Europäischen Union nicht mit dem Hausmüll entsorgt werden darf. Siehe

Produktdokumentation für spezifische Hinweise zu Akkus oder Batterien. Der Akku ist mit diesem Symbol gekennzeichnet, das zusätzlich die Buchstaben Cd für Cadmium, Pb für Blei oder Hg für Quecksilber enthalten kann. Für korrektes Recycling geben Sie die Akkus/Batterien an Ihren örtlichen Fachhändler zurück oder entsorgen Sie sie an einer der Sammelstellen. Für weitere Informationen siehe: www.recyclethis.info.

Sicherheitshinweis

Diese Hinweise sollen sicherstellen, dass der Benutzer das Produkt korrekt benutzen kann, um Gefahren oder Vermögensschäden zu vermeiden.

Gesetze und Vorschriften

Das Gerät muss in Übereinstimmung mit lokalen Gesetzen, Vorschriften zur elektrischen Sicherheit und Brandschutzvorschriften verwendet werden.

Elektrizität

Bei der Verwendung des Produkts müssen die elektrischen Sicherheitsbestimmungen des Landes oder der Region strikt eingehalten werden. Schützen Sie das Gerät vor tropfenden oder spritzenden Flüssigkeiten. Auf dem Gerät dürfen keine mit Flüssigkeit gefüllten Objekte, wie z. B. Vasen, abgestellt werden. Sorgen Sie für einen Überspannungsschutz an den Eingängen der Anlage bei besonderen Umgebungsbedingungen wie Berggipfel, Metallturm und Wald. ACHTUNG: Wenn die Sicherung des Geräts ersetzt werden kann, darf sie nur durch eine Sicherung desselben Typs ersetzt werden, um das Risiko eines Brandes oder elektrischen Schlags zu verringern. Berühren Sie keine blanken Bauteile (wie Metallkontakte der Eingänge) und warten Sie mindestens 5 Minuten, da nach dem Ausschalten des Geräts noch Strom in den Leitungen vorhanden sein kann. Bei Geräten, die nur über einen Netzstecker und eine Steckdose ein- und ausgeschaltet werden, muss die Steckdose in der Nähe des Geräts angebracht und leicht zugänglich sein.

Akku

Verschlucken Sie niemals die Batterie. Gefahr von Verätzungen durch Chemikalien! Dieses Produkt enthält eine Knopfzellenbatterie. Wenn die Knopfzellenbatterie verschluckt wird, kann dies innerhalb von 2 Stunden zu schweren inneren Verätzungen und Tod führen. Halten Sie neue und gebrauchte Batterien von Kindern fern. Wenn sich das Batteriefach nicht richtig schließt, stellen Sie den Gebrauch des Produkts ein und halten Sie es von Kindern fern. Suchen Sie umgehend ärztliche Hilfe auf, wenn Sie vermuten, dass Batterien verschluckt oder in Körperöffnungen eingeführt wurden. ACHTUNG: Bei Austausch der Batterie durch einen falschen Typ besteht Explosionsgefahr. Entsorgen Sie die verbrauchten Batterien gemäß den Anweisungen. Unsachgemäßer Austausch des Akkus durch einen falschen Typ kann eine Schutzvorrichtung umgehen (z. B. bei einigen Lithium-Batterietypen). Batterien nicht durch Verbrennen, in einem heißen Ofen oder Zerkleinern oder Zerschneiden

entsorgen. Das kann zu einer Explosion führen. Bewahren Sie Batterien nicht in einer Umgebung mit extrem hoher Temperatur auf. Das kann zu einer Explosion oder zum Auslaufen von entflammbarer Flüssigkeit oder Gas führen. Setzen Sie Batterien keinem extrem niedrigen Luftdruck aus. Das kann zu einer Explosion oder zum Auslaufen von entflammbarer Flüssigkeit oder Gas führen. + kennzeichnet den/die Pluspol(e) von Geräten, die mit Gleichstrom betrieben werden oder Gleichstrom erzeugen. – kennzeichnet den/die Minuspol(e) von Geräten, die mit Gleichstrom betrieben werden oder Gleichstrom erzeugen.

Brandschutz

Stellen Sie keine offenen Flammen (wie brennende Kerzen) auf dem Gerät ab. Die serielle Schnittstelle des Geräts wird nur zur Fehlersuche verwendet.

Warnung vor heißer Oberfläche

ACHTUNG: Heiße Teile! Sie können sich bei Berührung der Teile



Verbrennungen zuziehen. Warten Sie nach dem Ausschalten eine halbe Stunde, bevor Sie Teile anfassen. Dieser Aufkleber weist darauf hin, dass der

markierte Gegenstand heiß sein kann und nur vorsichtig angefasst werden darf. Ein Gerät mit diesem Aufkleber ist für die Installation an einem Ort mit beschränktem Zugang bestimmt, der nur von Servicepersonal oder von Benutzern betreten werden kann, die über die Gründe für die Zugangsbeschränkungen und über die zu treffenden Vorsichtsmaßnahmen informiert wurden.

Installation

Montieren Sie das Gerät gemäß den Hinweisen in dieser Anleitung. Um Verletzungen zu vermeiden, muss dieses Gerät gemäß den Installationsanweisungen sicher auf der Montagefläche montiert werden. Stellen Sie das Gerät niemals an einem nicht standsicheren Ort auf. Das Gerät kann herunterfallen und dabei schwere Verletzungen oder sogar Tod verursachen. Installieren Sie Geräte für den professionellen Einsatz nicht an Orten, an denen sich Kinder aufhalten können.

Wenn das Gerät nicht mit einem Netzteil ausgeliefert wird und Sie die blanken Kabel des Geräts verdrahten müssen: Die an die Klemmen angeschlossene externe Verkabelung des Geräts weist eine potenziell gefährliche Spannung auf und muss deshalb von einer fachkundigen Person vorgenommen werden. Stellen Sie sicher, dass die Stromversorgung unterbrochen wurde, bevor Sie das Gerät verkabeln, installieren oder demontieren.

Das Netzteil oder das Gerät muss an einen geerdeten Netzstecker angeschlossen werden. Hochspannung für das Netzteil. Zerlegen Sie das Netzteil nicht. Wenn Sie das Gerät selbst verdrahten müssen, wählen Sie das Kabel für die Stromversorgung entsprechend den auf dem Gerät angegebenen elektrischen Werten. Isolieren Sie das Kabel mit einer handelsüblichen Abisolierzange an der entsprechenden Stelle ab. Um schwerwiegende Folgen zu vermeiden, müssen die Drähte über eine angemessene Länge abisoliert werden, doch dürfen die Leiter nicht freiliegen.

Spannungsversorgung

Über Schutzkleinspannung versorgtes Gerät: Die Stromquelle muss die Anforderungen an eine Stromquelle mit begrenzter Leistung oder PS2 gemäß der Norm IEC 60950-1 oder IEC 62368-1 erfüllen. Über Netzspannung versorgtes Gerät: Das Gerät muss an eine geerdete Netzsteckdose angeschlossen werden. Eine geeignete, leicht zugängliche Trennvorrichtung muss außerhalb des Geräts vorhanden sein. Eine geeignete Überstrom-Schutzeinrichtung muss außerhalb des Geräts vorhanden sein und darf die

Spezifikation des Gebäudes nicht überschreiten. Ein allpoliger Netzschalter muss in die Elektroinstallation des Gebäudes integriert werden. Wenn das Gerät über Klemmen mit Strom versorgt wird, die mit dem Netzkabel verbunden sind, achten Sie auf die korrekte Spannung und Verkabelung der Klemmen für den Anschluss an ein Stromnetz. Das Gerät wurde, falls erforderlich, für den Anschluss an ein IT-Stromverteilungssystem angepasst.

Weißlichtbeleuchtung (falls unterstützt)

Es wird möglicherweise gefährliche optische Strahlung von diesem Produkt emittiert. Schauen Sie während des Betriebs NICHT in die Lichtquelle. Das kann schädlich für die Augen sein. Tragen Sie einen geeigneten Augenschutz oder schalten Sie das weiße Licht NICHT ein, wenn Sie die Kamera montieren, installieren oder warten.

Transportwesen

Bewahren Sie das Gerät beim Transport in der ursprünglichen oder einer vergleichbaren Verpackung auf.

Systemsicherheit

Bitte nehmen Sie zur Kenntnis, dass Sie die Verantwortung dafür tragen, alle Passwörter und andere Sicherheitseinstellungen für das Gerät zu konfigurieren und Ihren Benutzernamen und Ihr Passwort aufzubewahren.

Wartung

Falls das Produkt nicht einwandfrei funktionieren sollte, wenden Sie sich an Ihren Händler oder den nächstgelegenen Kundendienst. Wir übernehmen keine Haftung für Probleme, die durch nicht Reparatur- oder Instandhaltungsarbeiten von nicht autorisierten Dritten verursacht werden.

Reinigung

Benutzen Sie bitte ein weiches, trockenes Tuch, um die Innen- und Außenflächen der Produktabdeckung zu reinigen. Verwenden Sie

keine alkalischen Reinigungsmittel.

Einsatzumgebung

Achten Sie bei Verwendung eines Lasergeräts darauf, dass das Objektiv des Geräts nicht dem Laserstrahl ausgesetzt wird. Andernfalls könnte es durchbrennen. Setzen Sie das Gerät KEINER hohen elektromagnetischen Strahlung oder staubigen Umgebungen aus. Stellen Sie ein Gerät, das nur für den Innenbereich bestimmt sind, an einem kühlen und gut belüfteten Ort auf. Richten Sie das Objektiv NICHT auf die Sonne oder eine andere helle Lichtquelle. Achten Sie darauf, dass die Betriebsumgebung den Anforderungen des Geräts entspricht. Setzen Sie die Kamera KEINER staubigen oder feuchten Umgebung oder keiner Umgebung aus, in der extrem hohe oder niedrige Temperaturen oder hohe elektromagnetische Strahlung herrschen.

Notruf

Sollten sich Rauch, Gerüche oder Geräusche im Netzteil oder Gerät entwickeln, so schalten Sie das Gerät unverzüglich aus und ziehen Sie den Netzstecker. Wenden Sie sich dann an den Kundendienst.

Zeitsynchronisation

Stellen Sie die Gerätezeit beim erstmaligen Gebrauch manuell ein, wenn die lokale Zeit nicht mit der des Netzwerks synchronisiert ist. Rufen Sie das Gerät über den Webbrowser/die Client-Software auf und navigieren Sie zur Oberfläche für Zeiteinstellungen.

Reflexion

Stellen Sie sicher, dass sich keine reflektierende Oberfläche zu nahe am Geräteobjektiv befindet. Das IR-Licht des Geräts kann in das Objektiv reflektiert werden.

Español

Cumplimiento normativo e información de seguridad

Lea detenidamente toda la información y las instrucciones de este documento antes de usar el dispositivo y consérvelo para futuras referencias.

Para obtener más información e instrucciones del dispositivo, visite nuestra página web <https://www.hikvision.com>. También puede consultar el resto de documentos (si hay alguno) que acompañan al dispositivo o escanear el código QR (si hay alguno) del paquete para obtener más información.

AVISOS LEGALES

● EN LA MEDIDA MÁXIMA PERMITIDA POR LAS LEYES APLICABLES, ESTE DOCUMENTO Y EL PRODUCTO DESCRITO —INCLUIDOS SU HARDWARE, SOFTWARE Y FIRMWARE— SE SUMINISTRAN «TAL CUAL» Y «CON TODOS SU FALLOS Y ERRORES». HIKVISION NO OFRECE GARANTÍAS, EXPLÍCITAS O IMPLÍCITAS, INCLUIDAS, A MODO ENUNCIATIVO, COMERCIALIZACIÓN, CALIDAD SATISFACTORIA O IDONEIDAD PARA UN PROPÓSITO EN PARTICULAR. EL USO QUE HAGA DEL PRODUCTO CORRE BAJO SU ÚNICO RIESGO. EN NINGÚN CASO HIKVISION PODRÁ CONSIDERARSE RESPONSABLE ANTE USTED DE NINGÚN DAÑO ESPECIAL, CONSECUENTE, INCIDENTAL O INDIRECTO, INCLUYENDO, ENTRE OTROS, DAÑOS POR PÉRDIDAS DE BENEFICIOS COMERCIALES, INTERRUPCIÓN DE LA ACTIVIDAD COMERCIAL, PÉRDIDA DE DATOS, CORRUPCIÓN DE LOS SISTEMAS O PÉRDIDA DE DOCUMENTACIÓN, YA SEA POR INCUMPLIMIENTO DEL CONTRATO, AGRAVIO (INCLUYENDO NEGLIGENCIA), RESPONSABILIDAD DEL PRODUCTO O EN

RELACIÓN CON EL USO DEL PRODUCTO, INCLUSO CUANDO HIKVISION HAYA RECIBIDO UNA NOTIFICACIÓN DE LA POSIBILIDAD DE DICHOS DAÑOS O PÉRDIDAS.

- USTED RECONOCE QUE LA NATURALEZA DE INTERNET IMPLICA RIESGOS DE SEGURIDAD INHERENTES Y HIKVISION NO TENDRÁ NINGUNA RESPONSABILIDAD POR EL FUNCIONAMIENTO ANORMAL, FILTRACIONES DE PRIVACIDAD U OTROS DAÑOS RESULTANTES DE ATAQUES CIBERNÉTICOS, ATAQUES DE HACKERS, INFECCIONES DE VIRUS U OTROS RIESGOS DE SEGURIDAD DE INTERNET; SIN EMBARGO, HIKVISION PROPORCIONARÁ APOYO TÉCNICO OPORTUNO DE SER NECESARIO.
- USTED ACEPTA USAR ESTE PRODUCTO DE CONFORMIDAD CON TODAS LAS LEYES APLICABLES Y SOLO USTED ES EL ÚNICO RESPONSABLE DE ASEGURAR QUE EL USO CUMPLA CON DICHAS LEYES. EN ESPECIAL, USTED ES RESPONSABLE DE USAR ESTE PRODUCTO DE FORMA QUE NO INFRINJA LOS DERECHOS DE TERCEROS, INCLUYENDO, A MODO ENUNCIATIVO, DERECHOS DE PUBLICIDAD, DERECHOS DE PROPIEDAD INTELECTUAL, DERECHOS RELATIVOS A LA PROTECCIÓN DE DATOS Y OTROS DERECHOS RELATIVOS A LA PRIVACIDAD. NO UTILIZARÁ ESTE PRODUCTO PARA NINGÚN USO FINAL PROHIBIDO, INCLUYENDO EL DESARROLLO O LA PRODUCCIÓN DE ARMAS DE DESTRUCCIÓN MASIVA, EL DESARROLLO O PRODUCCIÓN DE ARMAS QUÍMICAS O BIOLÓGICAS, NINGUNA ACTIVIDAD EN EL CONTEXTO RELACIONADO CON ALGÚN EXPLOSIVO NUCLEAR O EL CICLO DE COMBUSTIBLE NUCLEAR INSEGURO O EN APOYO DE

ABUSOS DE LOS DERECHOS HUMANOS.

- EN CASO DE HABER CONFLICTO ENTRE ESTE DOCUMENTO Y LA LEGISLACIÓN VIGENTE, ESTA ÚLTIMA PREVALECE.

Estas cláusulas solo se aplican a los productos que lleven la marca o la información correspondiente.

Declaración de cumplimiento de la UE



Este producto y, cuando corresponda, los accesorios incluidos, también tienen la marca "CE" y por tanto cumplen los estándares europeos armonizados enumerados bajo la directiva 2014/30/UE (EMCD) y la directiva 2011/65/UE (RoHS).

Nota: Los productos con una tensión de entrada de 50 a 1000 VCA o de 75 a 1500 VCD cumplen con la directiva 2014/35/UE (LVD), y el resto de productos cumplen con la directiva 2001/95/CE (GPSD). Consulte la información de alimentación eléctrica específica como referencia.

El texto completo de la declaración UE de conformidad está disponible en la siguiente dirección de internet:

<https://www.hikvision.com/en/support/compliance/declaration-of-conformity>.



Directiva 2012/19/UE (directiva RAEE): En la Unión Europea, los productos marcados con este símbolo no pueden ser desechados en el sistema de basura municipal sin recogida selectiva. Para un reciclaje

adecuado, entregue este producto en el lugar de compra del equipo nuevo equivalente o deshágase de él en el punto de recogida designado a tal efecto. Para más información visite:

www.recyclethis.info.



Directiva 2006/66/CE y su enmienda 2013/56/UE (directiva sobre baterías): Este producto lleva una batería que no puede ser desechada en el sistema municipal de basuras sin recogida selectiva dentro de

la Unión Europea. Consulte la documentación del producto para ver la información específica de la batería. La batería lleva marcado este símbolo, que incluye unas letras indicando si contiene cadmio (Cd), plomo (Pb), o mercurio (Hg). Para un reciclaje adecuado, entregue la batería a su vendedor o llévela al punto de recogida de basuras designado a tal efecto. Para más información visite: www.recyclethis.info.

Instrucciones de seguridad

Estas instrucciones están previstas para asegurar que el usuario pueda utilizar el producto correctamente y evitar riesgos y daños materiales.

Leyes y normativas

El dispositivo debe ser utilizado cumpliendo con la legislación local y las normativas de seguridad eléctrica y prevención de incendios.

Electricidad

Para usar el producto debe cumplir estrictamente con la normativa de seguridad eléctrica de su país y región. No se expondrá el equipo a goteos ni salpicaduras y no se colocarán sobre él objetos llenos de líquidos, como jarrones. En ubicaciones especiales, como en la cima de una montaña, en una torre de hierro y en un bosque, instale un supresor de sobretensiones en la abertura de entrada del equipo. PRECAUCIÓN: Si el fusible del aparato puede sustituirse, sustitúyalo únicamente por otro del mismo modelo para reducir el riesgo de incendio o descarga eléctrica. No toque los componentes descubiertos (como los contactos metálicos de las entradas) y espere al menos 5 minutos,

ya que puede seguir habiendo electricidad después de apagar el aparato. Para dispositivos que se encienden y apagan únicamente mediante enchufe y toma de corriente, la toma se debe instalar junto al dispositivo y debe tener fácil acceso.

Batería

No se trague las pilas. ¡Peligro de quemaduras químicas! Este producto incorpora una pila de botón. Si se traga la pila de botón, podría sufrir quemaduras internas de importancia en solo 2 horas que podrían ocasionarle la muerte. Mantenga las baterías nuevas y usadas fuera del alcance de los niños. Si el compartimento de la batería no cierra debidamente, deje de usar el producto y manténgalo fuera del alcance de los niños. Si sospecha que una batería ha sido tragada o introducida en alguna parte del cuerpo, busque atención médica de inmediato. PRECAUCIÓN: Riesgo de explosión si se reemplaza la batería por otra de tipo incorrecto. Deshágase de las baterías usadas conforme a las instrucciones. Una sustitución inadecuada de la batería por otra de tipo incorrecto podría inhabilitar alguna medida de protección (por ejemplo, en el caso de algunas baterías de litio). No arroje la batería al fuego ni la meta en un horno caliente, ni intente aplastar o cortar mecánicamente la batería, ya que podría explotar. No deje la batería en lugares con temperaturas extremadamente altas, ya que podría explotar o tener fugas de líquido electrolítico o gas inflamable. No permita que la batería quede expuesta a una presión de aire extremadamente baja, ya que podría explotar o tener fugas de líquido electrolítico o gas inflamable. + identifica los terminales positivos de los equipos que se utilizan con corriente continua o que la generan. - identifica los terminales negativos de los equipos que se utilizan con corriente continua o que la generan.

Prevención de incendios

No coloque llamas abiertas, como velas encendidas, sobre el equipo. El puerto serie del equipo se utiliza únicamente con fines de depuración.

Prevención de superficie caliente

PRECAUCIÓN: ¡Elementos calientes! Puede quemarse los dedos al manipular esas partes. Espere media hora después de apagar el equipo para tocar las partes. Esta pegatina está para indicar que el elemento marcado puede

estar caliente y no debe tocarse sin tener cuidado. Los dispositivos con este adhesivo se deben instalar en una ubicación de acceso restringido, solo accesible al personal técnico o a usuarios que hayan sido informados sobre los motivos de las restricciones aplicadas a dicha ubicación y las precauciones a tomar.

Instalación

Instale el dispositivo siguiendo las instrucciones de este manual. Para evitar lesiones, este dispositivo debe fijarse firmemente a la superficie de instalación de acuerdo con las instrucciones de instalación. Nunca coloque el dispositivo en un lugar inestable. El dispositivo puede caerse y causar lesiones personales graves o la muerte. No instale dispositivos de uso profesional en lugares donde pueda haber niños.

Si el dispositivo no se comercializa con un adaptador de corriente y necesita cablear los cables pelados del dispositivo: Los cables externos del dispositivo conectados a los terminales con electricidad peligrosa deben ser instalados por una persona capacitada. Asegúrese de que se ha cortado la alimentación eléctrica antes de conectar, instalar o desmontar el dispositivo. La fuente de alimentación o el dispositivo deben conectarse a una toma de corriente con conexión a tierra. Alta tensión para la



fuente de alimentación. No la desmonte. Si debe realizar la instalación eléctrica del equipo usted mismo, seleccione el cable de alimentación correspondiente según los parámetros eléctricos indicados en el dispositivo. Con un pelacables convencional, pele el cable en la posición correspondiente. Para evitar posibles daños graves, la longitud del cable pelado deberá ser la adecuada y los conductores no deberán quedar expuestos.

Fuente de alimentación

Dispositivo alimentado mediante tensión extrabaja de seguridad (SELV, por sus siglas en inglés): La fuente de alimentación debe cumplir con los requisitos de fuente de alimentación limitada o PS2 conforme a las normas IEC 60950-1 o IEC 62368-1.

Dispositivo alimentado mediante tensión de alimentación de la red eléctrica de CA: El equipo debe estar conectado a una toma de corriente con conexión a tierra. Es necesario incorporar al equipo un dispositivo adecuado de desconexión externo de fácil acceso. Es necesario incorporar al equipo un dispositivo adecuado de protección de sobrecorriente externo que no exceda la especificación del edificio. Es necesario instalar un interruptor de corte omnipolar en la instalación eléctrica del edificio. Si el dispositivo se alimenta a través de terminales conectados al cable de alimentación, asegúrese de que la tensión y el cableado de estos son correctos para la conexión a la red eléctrica. El equipo ha sido diseñado, cuando es necesario, con modificaciones para conectarlo a un sistema de distribución de alimentación eléctrica para equipos informáticos.

Iluminador de luz blanca (si es compatible)

Este equipo podría emitir radiación óptica peligrosa. NO mire directamente a la fuente de luz en funcionamiento. Podría dañar sus ojos. Use la protección ocular adecuada o NO encienda la luz blanca cuando monte, instale o realice mantenimientos en la cámara.

Transporte

Guarde el dispositivo en su paquete original o en uno similar cuando lo transporte.

Seguridad del sistema

Recuerde que es su responsabilidad instalar las contraseñas y las

demás configuraciones de seguridad del dispositivo. Proteja su nombre de usuario y contraseña.

Mantenimiento

Si el producto no funciona correctamente, por favor, póngase en contacto con su distribuidor o con el centro de servicio técnico más próximo. No nos haremos responsables de los problemas derivados de una reparación o mantenimiento no autorizados.

Limpieza

Por favor, utilice un paño suave y seco para limpiar las superficies interiores y exteriores de la tapa del producto. No utilice detergentes alcalinos.

Entorno de uso

Cuando utilice equipos láser, asegúrese de que el objetivo del dispositivo no quede expuesto al rayo láser ya que podría quemarse. NO exponga el dispositivo a radiaciones electromagnéticas o entornos polvorientos. Para dispositivo de interior, ubíquelo en un entorno seco y con buena ventilación. NO oriente la lente hacia el sol ni a otras luces brillantes. Compruebe que el entorno de uso se adapte a los requisitos del dispositivo. No coloque la cámara en lugares extremadamente calientes, fríos, polvorientos o húmedos, ni la deje expuesta a radiaciones electromagnéticas intensas.

Emergencia

Si hay presencia de humo, olores o ruidos procedentes de la fuente de alimentación o el dispositivo, apague la alimentación inmediatamente, desenchufe el cable de alimentación y contacte con el servicio técnico.

Sincronización de hora

En el caso de que la hora local no esté sincronizada con la hora de la red, ajuste la hora manualmente la primera vez que acceda. Acceda al dispositivo usando el navegador web/software cliente y entre en la interfaz de ajuste de la hora.

Reflexión

Asegúrese de que ninguna superficie reflectante esté demasiado cerca de la lente del dispositivo. La luz IR del dispositivo puede reflejarse y regresar a la lente originando la reflexión.

Italiano

Conformità normativa e informazioni sulla sicurezza

Leggere accuratamente tutte le informazioni e le istruzioni riportate in questo documento prima di usare il dispositivo e conservarlo per consultazioni future.

Per altre informazioni e istruzioni sul dispositivo, consultare il nostro sito web <https://www.hikvision.com>. Per ulteriori informazioni, è possibile consultare altri documenti (se disponibili) in dotazione con il dispositivo o scansionare il codice QR sulla confezione (se presente).

ESCLUSIONE DI RESPONSABILITÀ

● NELLA MISURA MASSIMA CONSENTITA DALLA LEGGE VIGENTE, QUESTO DOCUMENTO E IL PRODOTTO DESCRITTO, CON IL RELATIVO HARDWARE, SOFTWARE E FIRMWARE, SONO FORNITI "COSÌ COME SONO" E "CON TUTTI I DIFETTI E GLI ERRORI". HIKVISION NON RILASCI ALCUNA GARANZIA, NÉ ESPRESSA NÉ IMPLICITA COME, SOLO A TITOLO DI ESEMPIO, GARANZIE DI COMMERCIALIZZABILITÀ, QUALITÀ SODDISFACENTE O IDONEITÀ PER UN USO SPECIFICO. L'UTENTE UTILIZZA IL PRODOTTO A PROPRIO RISCHIO. HIKVISION DECLINA QUALSIASI RESPONSABILITÀ VERSO L'UTENTE IN RELAZIONE A DANNI SPECIALI, CONSEGUENZIALI E INCIDENTALI, COMPRESI, TRA GLI ALTRI, I

DANNI DERIVANTI DA MANCATO PROFITTO, INTERRUZIONE DELL'ATTIVITÀ O PERDITA DI DATI, DANNEGGIAMENTO DI SISTEMI O PERDITA DI DOCUMENTAZIONE, DERIVANTI DA INADEMPIENZA CONTRATTUALE, ILLECITO (COMPRESA LA NEGLIGENZA), RESPONSABILITÀ PER DANNI AI PRODOTTI O ALTRIMENTI IN RELAZIONE ALL'USO DEL PRODOTTO, ANCHE QUALORA HIKVISION SIA STATA INFORMATA DELLA POSSIBILITÀ DI TALI DANNI O PERDITE.

- L'UTENTE RICONOSCE CHE LA NATURA DI INTERNET PREVEDE RISCHI DI SICUREZZA INTRINSECI E CHE HIKVISION DECLINA QUALSIASI RESPONSABILITÀ IN RELAZIONE A FUNZIONAMENTI ANOMALI, VIOLAZIONE DELLA RISERVATEZZA O ALTRI DANNI RISULTANTI DA ATTACCHI INFORMATICI, INFEZIONI DA VIRUS O ALTRI RISCHI LEGATI ALLA SICUREZZA SU INTERNET; TUTTAVIA, HIKVISION FORNIRÀ TEMPESTIVO SUPPORTO TECNICO, SE NECESSARIO.
- L'UTENTE ACCETTA DI UTILIZZARE IL PRODOTTO IN CONFORMITÀ A TUTTE LE LEGGI VIGENTI E DI ESSERE IL SOLO RESPONSABILE DI TALE UTILIZZO CONFORME. IN PARTICOLARE, L'UTENTE È RESPONSABILE DEL FATTO CHE L'UTILIZZO DEL PRODOTTO NON VIOLI DIRITTI DI TERZI COME, SOLO A TITOLO

DI ESEMPIO, DIRITTI DI PUBBLICITÀ, DIRITTI DI PROPRIETÀ INTELLETTUALE O DIRITTI RELATIVI ALLA PROTEZIONE DEI DATI E ALTRI DIRITTI RIGUARDANTI LA PRIVACY. NON È CONSENTITO UTILIZZARE QUESTO PRODOTTO PER SCOPI PROIBITI, COME, TRA GLI ALTRI, LA PRODUZIONE DI ARMI DI DISTRUZIONE DI MASSA, LO SVILUPPO O LA PRODUZIONE DI ARMI CHIMICHE O BIOLOGICHE, QUALSIASI ATTIVITÀ SVOLTA IN CONTESTI CORRELATI A ESPLOSIVI NUCLEARI O COMBUSTIBILI NUCLEARI NON SICURI O ATTIVITÀ CHE CAUSINO VIOLAZIONI DEI DIRITTI UMANI.

- IN CASO DI CONFLITTI TRA IL PRESENTE DOCUMENTO E LA NORMATIVA VIGENTE, PREVARRÀ QUEST'ULTIMA.

Queste clausole si applicano solo ai prodotti recanti il marchio o le informazioni corrispondenti.

Dichiarazione di conformità UE



Il presente prodotto e gli eventuali accessori in dotazione sono contrassegnati con il marchio "CE" e sono quindi conformi alle norme europee

armonizzate vigenti di cui alla Direttiva 2014/30/UE (CEM) e alla Direttiva 2011/65/UE (RoHS).

Nota: I prodotti con una tensione in ingresso compresa tra 50 e 1.000 V CA o tra 75 e 1.500 V CC sono conformi alla direttiva 2014/35/UE (direttiva Bassa Tensione); gli altri prodotti sono conformi alla direttiva 2001/95/CE (relativa alla sicurezza generale dei prodotti). Fare riferimento alle informazioni specifiche sull'alimentazione.

Il testo completo della Dichiarazione di conformità della UE è disponibile alla seguente pagina Internet:

<https://www.hikvision.com/en/support/compliance/declaration-of-compliance>



Direttiva 2012/19/UE (Direttiva RAEE): i prodotti contrassegnati con il presente simbolo non possono essere smaltiti come rifiuti domestici indifferenziati nell'Unione europea. Per lo smaltimento corretto,

restituire il prodotto al rivenditore in occasione dell'acquisto di un nuovo dispositivo o smaltirlo nei punti di raccolta autorizzati.

Ulteriori informazioni sono disponibili sul sito:

www.recyclethis.info.



Direttiva 2006/66/CE, modificata dalla direttiva 2013/56/UE (direttiva batterie): questo prodotto contiene una batteria e non è possibile smaltirlo con i rifiuti domestici indifferenziati nell'Unione europea.

Consultare la documentazione del prodotto per le informazioni specifiche sulla batteria. La batteria è contrassegnata con il presente simbolo, che potrebbe includere le sigle di cadmio (Cd), piombo (Pb) o mercurio (Hg). Per lo smaltimento corretto, restituire la batteria al rivenditore locale o smaltirla nei punti di raccolta autorizzati. Ulteriori informazioni sono disponibili sul sito:

www.recyclethis.info.

Istruzioni per la sicurezza

Le presenti istruzioni hanno lo scopo di garantire che l'utente utilizzi il prodotto in modo corretto, evitando situazioni di pericolo o danni materiali.

Leggi e regolamenti

Il dispositivo deve essere utilizzato rispettando le leggi locali, le norme sulla sicurezza elettrica e le norme sulla prevenzione degli incendi.

Elettricità

Durante l'uso del prodotto è indispensabile rispettare rigorosamente le normative nazionali e locali sulla sicurezza elettrica. L'attrezzatura non deve essere esposta a schizzi o gocciolamenti di liquidi; non poggiare sull'attrezzatura oggetti contenenti liquidi, ad esempio vasi. Predispone un soppressore di sovratensione all'apertura di ingresso dell'attrezzatura in condizioni particolari come vette di montagne, tralicci metallici o foreste. **ATTENZIONE:** Se il fusibile del dispositivo è sostituibile, utilizzare solo un ricambio dello stesso modello per ridurre il rischio di incendi o scosse elettriche. Non toccare i componenti scoperti (come i contatti metallici delle prese) e attendere almeno 5 minuti dopo lo spegnimento dell'interruttore, perché è possibile che sia presente dell'elettricità residua. Se il dispositivo viene acceso e spento solo tramite spina e presa di corrente, la presa deve essere installata vicino al dispositivo e facilmente accessibile.

Batteria

Non ingerire le batterie. Pericolo di ustioni chimiche! Questo prodotto contiene una batteria a bottone. Se ingerita, questo tipo di batteria può causare gravi ustioni interne in sole 2 ore e portare anche alla morte. Tenere le batterie nuove e quelle usate lontano dalla portata dei bambini. Se il vano batteria non si chiude bene, interrompere l'uso del prodotto e tenerlo lontano dai bambini. Se si pensa che una batteria possa essere stata ingerita o possa essere penetrata in qualsiasi parte del corpo, rivolgersi immediatamente a un medico. **ATTENZIONE:** Esiste il rischio di esplosione se la batteria viene sostituita con una di tipo non corretto. Smaltire le batterie usate seguendo le istruzioni. La sostituzione della batteria con una di tipo non idoneo può impedire il corretto funzionamento dei sistemi di sicurezza (ad esempio con alcuni tipi di batterie al litio). Non gettare le batterie nel fuoco o in un forno caldo ed evitare di schiacciarle o tagliarle, per prevenire il rischio di esplosioni. Non lasciare le batterie in ambienti con temperature estremamente alte, perché possono esplodere o perdere liquidi o gas infiammabili. Le batterie sottoposte a una pressione atmosferica estremamente bassa possono esplodere o perdere liquidi o gas infiammabili. Il simbolo + indica il terminale positivo dell'apparecchiatura alimentata o che genera corrente continua. Il simbolo - indica il terminale negativo dell'apparecchiatura alimentata o che genera corrente continua.

Prevenzione degli incendi

Non collocare sull'attrezzatura sorgenti di fiamme libere, come candele accese. La porta seriale del dispositivo serve solo per attività di debugging.

Prevenzione dei rischi da superfici calde

ATTENZIONE: Elementi caldi! Rischio di ustioni alle dita se si



maneggiano questi elementi. Attendere mezz'ora dopo lo spegnimento dell'attrezzatura prima di toccare questi elementi. Questo adesivo indica che

l'oggetto contrassegnato può essere caldo e non deve essere toccato senza prestare la dovuta attenzione. I dispositivi con questo adesivo devono essere installati in aree ad accesso limitato, consentito al solo personale di servizio o agli utenti che hanno ricevuto istruzioni sulle restrizioni applicate al locale e sulle precauzioni da adottare.

Installazione

Installare il dispositivo seguendo le istruzioni nel presente manuale. Per evitare il rischio di lesioni personali, questo dispositivo deve essere fissato saldamente alla superficie di installazione, come indicato nelle relative istruzioni. Non posizionare mai il dispositivo in una posizione instabile. Il

dispositivo potrebbe cadere, causando lesioni personali gravi o mortali. Non installare dispositivi per uso professionale in luoghi in cui possono esserci bambini.

Se il dispositivo non è fornito con un trasformatore ed è necessario collegare i cavi del dispositivo: Il cablaggio esterno del dispositivo connesso ai terminali con rischio di scariche elettriche deve essere installato da personale competente. Controllare che l'alimentazione sia interrotta, prima di cablare, installare o disassemblare il dispositivo.

L'alimentazione o il dispositivo deve essere collegato a una presa di corrente dotata di messa a terra. Alta tensione per l'alimentazione. Non disassemblare. Per effettuare il cablaggio in autonomia, selezionare i fili di alimentazione in base ai parametri elettrici indicati sull'etichetta del dispositivo. Spellare i fili nei punti opportuni utilizzando un normale spellacavi. Per evitare conseguenze gravi, la lunghezza dei fili spellati deve essere adeguata e i conduttori non devono risultare scoperti.

Alimentazione

Dispositivo alimentato a bassissima tensione di sicurezza (SELV): La sorgente di alimentazione deve soddisfare i requisiti previsti per le sorgenti di alimentazione limitate o PS2 in conformità alle norme IEC 60950-1 o IEC 62368-1.

Dispositivo alimentato alla tensione di rete: L'attrezzatura deve essere collegata a una presa di corrente dotata di messa a terra. Un dispositivo di disconnessione appropriato e facilmente accessibile deve essere incorporato all'esterno dell'apparecchiatura. Un adeguato dispositivo di protezione dalle sovracorrenti deve essere incorporato all'esterno dell'apparecchiatura e non deve eccedere le specifiche richieste dall'edificio in cui è situato. L'impianto elettrico dell'edificio deve essere dotato di interruttore di rete onnipolare. Se il dispositivo è alimentato da terminali collegati al cavo di alimentazione, verificare che la tensione e il cablaggio dei terminali di connessione alla presa di corrente siano corretti. L'attrezzatura è stata progettata per poter essere modificata, in caso di necessità, per il collegamento a un sistema di alimentazione elettrica IT.

Illuminatore a luce bianca (se supportato)

Questo prodotto emette radiazioni ottiche potenzialmente pericolose. NON fissare la sorgente luminosa mentre è accesa. Può essere pericolosa per gli occhi. Indossare un'adeguata protezione degli occhi o NON accendere la luce bianca durante il montaggio, l'installazione o la manutenzione della telecamera.

Trasporto

Per trasportare il dispositivo, riporlo nella confezione originale o in una analoga.

Sicurezza del sistema

L'utente ha la responsabilità di configurare tutte le password e le altre impostazioni di sicurezza relative al dispositivo e di conservare nome utente e password in modo sicuro.

Manutenzione

Se il prodotto non funziona correttamente, rivolgersi al rivenditore o al centro di assistenza più vicino. Decliniamo qualsiasi responsabilità in relazione a problemi causati da interventi di riparazione o manutenzione non autorizzati.

Pulizia

Per pulire le superfici interne e esterne del coperchio del prodotto, utilizzare un panno morbido e asciutto. Non utilizzare detergenti alcalini.

Ambiente di utilizzo

Quando si utilizzano apparecchiature laser, non esporre l'obiettivo del dispositivo al raggio laser, che potrebbe bruciarlo. NON esporre il dispositivo a radiazioni elettromagnetiche intense o ad ambienti polverosi. Per i dispositivi per utilizzo solo al chiuso: collocare il dispositivo in un ambiente asciutto e ben ventilato. NON orientare l'obiettivo verso il sole o altre luci intense.

Verificare che l'ambiente di utilizzo sia conforme ai requisiti del dispositivo. NON collocare la telecamera in luoghi a temperatura troppo alta o bassa né in ambienti umidi o polverosi e non esporla a radiazioni elettromagnetiche intense.

Emergenza

Se l'alimentazione o il dispositivo emette fumo, odori o rumori, spegnerlo immediatamente e scollegare il cavo di alimentazione, quindi rivolgersi a un centro di assistenza.

Sincronizzazione dell'ora

Se l'ora locale non è sincronizzata con quella della rete, impostare l'ora del dispositivo manualmente al primo accesso. Accedere al dispositivo tramite un browser o un software client e passare all'interfaccia delle impostazioni dell'ora.

Riflesso

Assicurarsi che non ci sia alcuna superficie riflettente molto vicina all'obiettivo del dispositivo. La luce a infrarossi del dispositivo può riflettersi e tornare indietro nell'obiettivo provocando riflessi.

Português

Conformidade regulamentar e informações relacionadas com a segurança

Leia atentamente todas as informações e instruções presentes neste documento antes de utilizar o dispositivo e guarde-o para futura consulta.

Para mais informações e instruções relativas ao dispositivo, visite o nosso website em <https://www.hikvision.com>. Também pode consultar outros documentos (se existentes) que acompanhem o dispositivo, ou fazer a leitura do código QR (se existente) na embalagem para obter mais informações.

EXCLUSÃO DE RESPONSABILIDADE LEGAL

● NA MEDIDA PERMITIDA PELA LEI APLICÁVEL, O PRESENTE DOCUMENTO E O PRODUTO DESCRITO, COM O RESPETIVO HARDWARE, SOFTWARE E FIRMWARE, SÃO FORNECIDOS “TAL COMO ESTÃO” E “COM TODAS AS FALHAS E ERROS”. A HIKVISION EXCLUI, DE FORMA EXPLÍCITA OU IMPLÍCITA,

GARANTIAS DE, INCLUINDO E SEM LIMITAÇÃO, COMERCIALIZAÇÃO, QUALIDADE DO SERVIÇO OU ADEQUAÇÃO A UMA FINALIDADE ESPECÍFICA. A SUA UTILIZAÇÃO DESTE PRODUTO É FEITA POR SUA CONTA E RISCO. EM CIRCUNSTÂNCIA ALGUMA A HIKVISION SERÁ RESPONSÁVEL PERANTE O UTILIZADOR EM RELAÇÃO A QUAISQUER DANOS ESPECIAIS, CONSEQUENCIAIS, INCIDENTAIS OU INDIRETOS, INCLUINDO, ENTRE OUTROS, DANOS PELA PERDA DE LUCROS COMERCIAIS, INTERRUÇÃO DA ATIVIDADE, PERDA DE DADOS, CORRUPÇÃO DE SISTEMAS OU PERDA DE DOCUMENTAÇÃO SEJA COM BASE NUMA VIOLAÇÃO DO CONTRATO, ATOS ILÍCITOS (INCLUÍDO NEGLIGÊNCIA), RESPONSABILIDADE PELO PRODUTO OU, DE OUTRO MODO, RELACIONADA COM A UTILIZAÇÃO DO PRODUTO, AINDA QUE A HIKVISION TENHA SIDO ADVERTIDA QUANTO À POSSIBILIDADE DE TAIS DANOS OU PERDAS.

● O UTILIZADOR RECONHECE QUE A NATUREZA DA INTERNET

OFERECE RISCOS DE SEGURANÇA INERENTES E QUE A HIKVISION NÃO SERÁ RESPONSABILIZADA POR UM FUNCIONAMENTO ANORMAL, PERDA DE PRIVACIDADE OU OUTROS DANOS RESULTANTES DE ATAQUES INFORMÁTICOS, ATAQUES DE PIRATARIA, INFEÇÃO POR VÍRUS OU OUTROS RISCOS ASSOCIADOS À SEGURANÇA DA INTERNET. NO ENTANTO, A HIKVISION PRESTARÁ APOIO TÉCNICO ATEMPADO, SE SOLICITADO.

- O UTILIZADOR ACEITA UTILIZAR ESTE PRODUTO EM CONFORMIDADE COM TODAS AS LEIS APLICÁVEIS E SER O ÚNICO RESPONSÁVEL POR GARANTIR QUE A SUA UTILIZAÇÃO É CONFORME À LEI APLICÁVEL. PARTICULARMENTE, O UTILIZADOR É O RESPONSÁVEL PELA UTILIZAÇÃO DESTE PRODUTO DE MODO QUE NÃO INFIRJA OS DIREITOS DE TERCEIROS, INCLUINDO, ENTRE OUTROS, OS DIREITOS DE PUBLICIDADE, DIREITOS DE PROPRIEDADE INTELECTUAL OU DE PROTEÇÃO DE DADOS, OU QUAISQUER OUTROS DIREITOS DE PRIVACIDADE. O UTILIZADOR NÃO PODERÁ UTILIZAR ESTE PRODUTO PARA QUAISQUER UTILIZAÇÕES FINAIS PROIBIDAS, INCLUINDO O DESENVOLVIMENTO OU PRODUÇÃO DE ARMAS DE DESTRUIÇÃO MACIÇA, DESENVOLVIMENTO OU PRODUÇÃO DE QUÍMICOS OU ARMAS BIOLÓGICAS, QUAISQUER ATIVIDADES DESENVOLVIDAS NO ÂMBITO DE EXPLOSIVOS NUCLEARES OU CICLOS DE COMBUSTÍVEL NUCLEAR INSEGURO OU PARA APOIAR ABUSOS AOS DIREITOS HUMANOS.
- EM CASO DE CONFLITO ENTRE O PRESENTE DOCUMENTO E A LEI APLICÁVEL, PREVALECE ESTA ÚLTIMA.

As presentes cláusulas aplicam-se apenas aos produtos que apresentam a marcação ou informação correspondentes.

Declaração de conformidade da UE



Este produto e, se aplicável, os acessórios fornecidos com o mesmo, têm a marcação "CE" e estão, por isso, em conformidade com os padrões europeus

aplicáveis, indicados na diretiva 2014/30/UE (EMCD) e na diretiva 2011/65/UE (RSP).

Nota: Os produtos com uma tensão de entrada situada entre 50 e 1000 V CA ou entre 75 e 1500 V CC estão em conformidade com a diretiva 2014/35/UE (LVD) e os restantes produtos estão em conformidade com a diretiva 2001/95/CE (GPSD). Verifique a informação da fonte de alimentação específica para referência.

O texto integral da declaração de conformidade UE está disponível na seguinte página de internet:

<https://www.hikvision.com/en/support/compliance/declaration-of-conformity>.



Diretiva 2012/19/UE (Diretiva REEE): Os produtos com este símbolo não podem ser eliminados como resíduos urbanos indiferenciados na União Europeia.

Para uma reciclagem adequada, devolva este produto ao seu fornecedor local quando adquirir um novo equipamento equivalente ou elimine-o através dos pontos de recolha adequados. Para mais informações, consulte:

www.recyclethis.info.



Diretiva 2006/66/CE e respetiva alteração 2013/56/UE (diretiva relativa às pilhas e baterias): Este produto contém uma bateria que não pode ser eliminada como resíduo urbano indiferenciado na União Europeia.

Consulte a documentação do produto para obter informações específicas acerca da bateria. A bateria está marcada com este

símbolo, que poderá incluir inscrições para indicar a presença de cádmio (Cd), chumbo (Pb), ou mercúrio (Hg). Para reciclar o produto de forma adequada, devolva a bateria ao seu fornecedor ou coloque-a num ponto de recolha apropriado. Para mais informações, consulte: www.recyclethis.info.

Instruções de segurança

Estas instruções servem para assegurar que o utilizador utilize o produto corretamente, de modo a evitar perigos e perda de propriedade.

Legislação e regulamentos

O dispositivo deve ser utilizado em conformidade com as leis, regulamentos de segurança elétrica e regulamentos de prevenção de incêndios locais.

Eletricidade

Durante a utilização do produto, o utilizador tem de estar em estrita conformidade com as normas de segurança elétrica do país e região. O equipamento não deverá ser exposto a derrames ou salpicos de líquidos e nenhum objeto que contenha líquidos, como vasos, deverá ser colocado sobre o equipamento. Providencie um supressor de picos na abertura da entrada do equipamento em condições especiais, como no cimo de uma montanha, numa torre de ferro ou na floresta. ADVERTÊNCIA: Se for possível substituir o fusível do dispositivo, substitua-o apenas por outro do mesmo modelo para reduzir o risco de incêndio ou de choque elétrico. Não toque nos componentes desprotegidos (tais como os contactos metálicos das entradas) e aguarde pelo menos 5 minutos, uma vez que a eletricidade pode ainda manter-se depois de desligar o disjuntor. Nos dispositivos ligados e desligados apenas por ficha e tomada, a tomada deve ser instalada perto do dispositivo e ser facilmente acessível.

Bateria

Não ingira a pilha. Perigo de queimadura causada por produtos químicos! Este produto contém uma pilha celular tipo botão. Se a pilha celular tipo botão for engolida, pode causar queimaduras internas graves em apenas 2 horas e pode provocar a morte. Mantenha as pilhas novas e usadas longe do alcance das crianças. Se o compartimento da pilha não fechar de forma segura, suspenda a utilização do produto e mantenha-o longe do alcance das crianças. Se acredita ter ingerido ou colocado uma pilha no interior do organismo, consulte um médico de imediato. ADVERTÊNCIA: Existe risco de explosão se a bateria for substituída por outra de tipo incorreto. Elimine pilhas/baterias usadas de acordo com as instruções. A substituição incorreta da bateria por outra de tipo incorreto pode destruir uma proteção (por exemplo, no caso de alguns tipos de bateria de lítio). Não proceda à eliminação da bateria numa fogueira ou forno quente, ou mediante esmagamento ou corte mecânico da mesma pois tal pode resultar numa explosão. Não deixe a bateria num ambiente com temperaturas extremamente elevadas pois tal pode resultar numa explosão ou na fuga de líquido inflamável ou gás. Não sujeite a bateria a pressão de ar extremamente baixa pois tal poderá resultar numa explosão de líquido inflamável ou gás. + identifica o terminal positivo do equipamento com o qual é utilizada ou gera corrente direta. - identifica o terminal negativo do equipamento com o qual é utilizada ou gera corrente direta.

Prevenção de incêndios

Não deverão ser colocadas fontes de chama livre, como velas acesas, sobre o equipamento. A porta série do equipamento é utilizada apenas para a depuração.

Prevenção de superfícies quentes

ADVERTÊNCIA: Peças quentes! Queimadura dos dedos resultante do manuseamento das peças. Desligue o equipamento, aguarde trinta minutos e só então deverá manusear as peças. Este autocolante indica que o elemento

**WARNING
HOT SURFACE
DO NOT TOUCH**

assinalado pode estar quente, pelo que não lhe deve tocar sem a devida precaução. Os dispositivos com este autocolante devem ser instalados num local com acesso restrito. Apenas poderão ter acesso a esses dispositivos funcionários e utilizadores que tenham sido instruídos relativamente aos motivos pelos quais essas restrições de localização têm de ser aplicadas e que tenham sido alertados sobre que cuidados deverão adotar.

Instalação

Instale o dispositivo de acordo com as instruções neste manual. Para evitar a ocorrência de lesões, este dispositivo deve ser corretamente fixado na superfície da instalação em conformidade com as instruções de instalação. Nunca coloque o dispositivo num local instável. O dispositivo pode cair e causar lesões corporais graves ou morte. Não instale dispositivos para utilização profissional em locais onde seja provável a presença de crianças. Se o dispositivo não incluir um transformador e tiver de ligar os cabos desencapados do dispositivo: A cablagem externa do dispositivo ligada aos terminais sob tensão perigosa necessita de ser instalada por uma pessoa com formação na área. Certifique-se de que a alimentação está desligada antes de instalar ou desmontar o dispositivo, assim como antes de ligar cabos ao mesmo.

A fonte de alimentação ou o dispositivo tem de ser ligado a uma tomada da rede elétrica com ligação à terra. Alta tensão para a fonte de alimentação. Não a desmonte. Se necessitar de ligar sozinho o dispositivo, selecione o fio correspondente à alimentação elétrica, de acordo com os parâmetros elétricos indicados no dispositivo. Descarne o fio com um descarnador de cabos padrão na posição correspondente. Para evitar consequências graves, o comprimento do fio descarnado deve ser adequado e os condutores não devem ficar expostos.

Alimentação elétrica

Dispositivo alimentado por circuito de tensão extrema inferior de segurança (SELV): A fonte de alimentação deve cumprir os requisitos de fonte de alimentação limitada ou PS2 de acordo com a norma IEC 60950-1 ou IEC 62368-1.

Dispositivo alimentado por tensão CA da rede: O equipamento deve ser ligado a uma tomada da rede elétrica com terra. Será incorporado externamente ao equipamento um dispositivo adequado para o desligar facilmente. Será incorporado externamente ao equipamento um dispositivo de proteção de sobretensão adequado e que respeita as especificações do edifício. A instalação elétrica do edifício deve estar equipada com um interruptor geral. Se o dispositivo for alimentado por terminais ligados a um cabo elétrico, certifique-se de que os terminais possuem uma tensão e cablagem corretas para ligação a uma fonte de alimentação. O equipamento foi concebido para ser

modificado para ligação a um sistema de distribuição de energia IT.

Iluminador de luz branca (se compatível)

Este produto emite radiação ótica possivelmente perigosa. NÃO fixe o olhar na fonte de luz em funcionamento. Pode ser prejudicial aos olhos. Use proteção ocular adequada ou NÃO ligue a luz branca ao montar, instalar ou proceder à manutenção da câmara.

Transporte

Mantenha o dispositivo na embalagem original ou similar, quando o transportar.

Segurança do sistema

Por favor, tenha em consideração que a configuração das palavras-passe e de outras definições de segurança do dispositivo são da sua responsabilidade, assim como o guardar do seu nome de utilizador e da sua palavra-passe.

Manutenção

Se o produto não funcionar corretamente, contacte o seu fornecedor ou o seu centro de assistência mais próximo. Não assumimos qualquer responsabilidade por problemas causados por reparações ou manutenções não autorizadas.

Limpeza

Utilize um pano seco e suave para limpar as superfícies interiores e exteriores da cobertura do produto. Não utilize detergentes alcalinos.

Ambiente da utilização

Quando estiver a utilizar qualquer equipamento a laser, verifique se a lente do dispositivo não se encontra exposta ao feixe de laser, caso contrário pode queimar. NÃO exponha o dispositivo a radiação eletromagnética elevada nem a ambientes com pó. Os dispositivos exclusivamente para espaços interiores devem ser colocados num ambiente seco e bem ventilado. NÃO direcione a lente para o sol nem para qualquer outra luz brilhante. Certifique-se de que o ambiente de funcionamento do dispositivo cumpre os requisitos do mesmo. NÃO coloque a câmara em locais extremamente quentes, frios, poeirentos ou húmidos; e não a exponha a radiação eletromagnética elevada.

Emergência

Caso a fonte de alimentação ou o dispositivo emita fumo, odores ou ruídos, desligue a alimentação elétrica de imediato, retire o cabo de alimentação da tomada e contacte o centro de assistência.

Sincronização da hora

Se a hora local não estiver sincronizada com a da rede, configure a hora do dispositivo manualmente quando o utilizar pela primeira vez. Aceda ao dispositivo através do browser/software do cliente e visite a interface das definições da hora.

Reflexo

Certifique-se de que nenhuma superfície refletora está muito próxima da lente do dispositivo. A luz de IV do dispositivo pode ser refletida na lente, provocando reflexo.

Nederlands

Informatie over naleving van regelgeving en veiligheid

Lees alle informatie en instructies in dit document aandachtig door voordat u het apparaat gebruikt en bewaar deze om ze later te kunnen raadplegen.

Voor meer informatie en instructies, bezoekt u onze website op <https://www.hikvision.com>. U kunt ook andere documenten (als

die er zijn) die bij het apparaat zijn geleverd, raadplegen of u kunt de QR-code (als die er is) op de verpakking scannen om meer informatie te verkrijgen.

JURIDISCHE DISCLAIMER

● DIT DOCUMENT EN HET BESCHREVEN PRODUCT MET BIJBEHORENDE HARDWARE, SOFTWARE EN FIRMWARE,

WORDEN TOT DE VOLLE OMVANG VAN DE MOGELIJKHEDEN DIE HET GELDENDE RECHT BIJDELEVERD "ALS ZODANIG" EN "MET ALLE GEBREKEN EN FOUTEN". HIKVISION GEEFT GEEN GARANTIES, EXPLICIET NOCH IMPLICIET, MET INBEGRIJ EN ZONDER BEPERKING VAN OMTRENT VERKOOPBAARHEID, TEVREDENHEID OMTRENT KWALITEIT OF GESCHIKTHEID VOOR EEN BEPAALD DOEL. HET GEBRUIK VAN HET PRODUCT DOOR U IS OP EIGEN RISICO. IN GEEN GEVAL IS HIKVISION VERANTWOORDELIJK VOOR SPECIALE, BIJKOMENDE, INCIDENTELE OF INDIRECTE SCHADE, WAARONDER, ONDER ANDERE, SCHADE DOOR WINSTDERVING, WERKONDERBREKING OF VERLIES VAN GEGEVENS, CORRUPTE VAN SYSTEMEN OF VERLIES VAN DOCUMENTATIE, ONGEACHT OF DIT VOORTVLOEIT UIT CONTRACTBREUK, BENADELING (INCLUSIEF NALATIGHEID), PRODUCTAANSPRAKELIJKHEID OF ANDERS, MET BETREKKING TOT HET PRODUCT, ZELFS ALS HIKVISION OP DE HOOGTE IS GEBRACHT VAN DERGELIJKE SCHADE OF VERLIES.

- U ERKENT DAT DE AARD VAN INTERNET INHERENTE VEILIGHEIDSRISICO'S MET ZICH MEE BRENGT, EN HIKVISION GEEN ENKELE VERANTWOORDELIJKHEID NEEMT VOOR ABNORMALE WERKING, PRIVACYLEKKEN OF ANDERE SCHADE DIE VOORTVLOEIT UIT CYBERAANVAL, HACKERAANVAL, VIRUSINFECTIE OF ANDERE INTERNETVEILIGHEIDSRISICO'S; HIKVISION BIJDET INDIEN NODIG ECHTER TIJDELIJK TECHNISCHE ONDERSTEUNING.
- U GAAT AKKOORD MET HET GEBRUIK VAN DIT PRODUCT IN OVEREENSTEMMING MET ALLE TOEPASSELIJKE WETTEN EN U BENT ALS ENIGE VERANTWOORDELIJK VOOR DE GARANTIE DAT UW GEBRUIK OVEREENSTEMT MET DE TOEPASSELIJKE WET. U BENT VOORAL VERANTWOORDELIJK DAT HET GEBRUIK VAN DIT PRODUCT GEEN INBREUK MAAKT OP DE RECHTEN VAN DERDEN, INCLUSIEF EN ZONDER BEPERKING DE RECHTEN VAN PUBLICITEIT, INTELLECTUEEL EIGENDOM, OF GEGEVENS BESCHERMING EN ANDERE PRIVACYRECHTEN. U MAG DIT PRODUCT NIET GEBRUIKEN VOOR ENIGE ONWETTIG EINDGEBRUIK, MET INBEGRIJ VAN DE ONTWIKKELING OF DE PRODUCTIE VAN MASSAVERNIETIGINGSWAPENS, DE ONTWIKKELING OF DE PRODUCTIE VAN CHEMISCHE OF BIOLOGISCHE WAPENS, ALLE ACTIVITEITEN IN HET KADER VAN EVENTUELE NUCLEAIRE EXPLOSIEVEN OF ONVEILIGE NUCLEAIRE BRANDSTOF CYCLUS, OF TER ONDERSTEUNING VAN MENSENRECHTENSCHENDINGEN.
- IN HET GEVAL VAN EEN CONFLICT TUSSEN DIT DOCUMENT EN DE TOEPASSELIJKE WETGEVING, PREVALEERT DE LAATSTE.

Deze clausules zijn alleen van toepassing op de producten die de overeenkomende markering of informatie dragen.

Nalevingsverklaring EU



Dit product en - indien van toepassing - ook de meegeleverde accessoires zijn gemarkeerd met „CE” en voldoen daarom aan de toepasselijke

geharmoniseerde Europese normen vermeld onder de Richtlijn 2014/30/EU (EMCD) en Richtlijn 2011/65/EU (RoHS).
Opmerking: De producten met een ingangsspanning van 50 tot 1000 VAC of 75 tot 1500 VDC voldoen aan de Richtlijn 2014/35/EU (LVD), en de restproducten voldoen aan de Richtlijn 2001/95/EG (GPSD). Bekijk de specifieke informatie over de voeding ter referentie.
De volledige tekst van de EU-conformiteitsverklaring is

beschikbaar op het volgende internetadres:

<https://www.hikvision.com/en/support/compliance/declaration-of-conformity>.



Richtlijn 2012/19/EU (WEEE-richtlijn): Producten die met dit symbool zijn gemarkeerd mogen binnen de Europese Unie niet worden weggegooid als ongesorteerd huishoudelijk afval. Lever dit product voor een juiste recycling in bij uw plaatselijke leverancier bij aankoop van soortgelijke nieuwe apparatuur, of breng het naar daarvoor aangewezen inzamel punten. Zie voor meer informatie: www.recyclethis.info.



Richtlijn 2006/66/EG en zijn amendement 2013/56/EU (Batterijrichtlijn): Dit product bevat een batterij die binnen de Europese Unie niet mag worden weggegooid als ongesorteerd huishoudelijk afval. Zie de productdocumentatie voor specifieke informatie over de batterij. De batterij is gemarkeerd met dit symbool, dat letters kan bevatten die cadmium (Cd), lood (Pb) of kwik (Hg) aanduiden. Lever de batterij voor een juiste recycling in bij uw leverancier of bij een daarvoor aangewezen inzamel punt. Zie voor meer informatie: www.recyclethis.info.

Veiligheidsinstructies

Deze instructies dienen om ervoor te zorgen dat de gebruiker het product correct kan gebruiken om gevaar en materiële schade te voorkomen.

Wet- en regelgeving

Het apparaat moet worden gebruikt in overeenstemming met lokale wetgeving, elektrische veiligheidsvoorschriften en voorschriften voor brandpreventie.

Elektriciteit

U moet zich bij het gebruik van het product strikt houden aan de elektrische veiligheidsvoorschriften van het land en de regio. De apparatuur mag niet worden blootgesteld aan druppels of spetters en er mogen geen voorwerpen gevuld met vloeistoffen, zoals vazen, op de apparatuur worden geplaatst. Zorg voor een overspanningsbeveiliging bij de inlaatopening van de apparatuur onder speciale omstandigheden, zoals op een bergtop, ijzeren toren en in het bos. LET OP: Als de zekering van het apparaat kan worden vervangen, vervang deze dan alleen door hetzelfde model om het risico op elektrische schokken te verminderen. Raak de blootgestelde componenten (zoals metalen contacten van de ingangen) niet aan en wacht ten minste 5 minuten, omdat er nog elektriciteit aanwezig kan zijn nadat het apparaat uitgeschakeld. Om het apparaat alleen via de voedingsstekker en het stopcontact in en uit te schakelen, moet het stopcontact dicht bij het apparaat zijn geïnstalleerd en gemakkelijk toegankelijk zijn.

Batterij

Slik de batterij niet in. Gevaar voor chemische brandwonden! Dit product bevat een knoopbatterij. Als de knoopbatterij wordt ingeslikt, kan dat binnen slechts 2 uur leiden tot hevige interne brandwonden en kan dit de dood tot gevolg hebben. Houd nieuwe en gebruikte batterijen buiten bereik van kinderen. Als het batterijvak niet goed sluit, gebruik het product dan niet langer en houd het buiten bereik van kinderen. Als u vermoedt dat de batterijen zijn ingeslikt of in enig deel van het lichaam zijn gebracht, roep dan onmiddellijk medische hulp in. LET OP: Er bestaat explosiegevaar wanneer de batterij door een onjuist type wordt vervangen. Verwijder gebruikte batterijen in overeenstemming met de instructies. Onjuiste vervanging van de batterij door een onjuist type kan een beveiliging omzeilen (bijvoorbeeld in het geval van sommige typen lithiumbatterijen).

Gooi de batterij niet in vuur of een hete oven en plet of snij de batterij niet op mechanische wijze, want dat kan een explosie veroorzaken. Laat de batterij niet in een omgeving met een extreem hoge temperatuur liggen, want dat kan een explosie of het lekken van brandbare vloeistof of gas tot gevolg hebben. Stel de batterij niet bloot aan extreem lage luchtdruk, want dat kan een explosie of het lekken van brandbare vloeistof of gas tot gevolg hebben. + identificeert de positieve aansluiting(en) van apparatuur die wordt gebruikt met gelijkstroom of die dat genereert. - identificeert de negatieve aansluiting(en) van apparatuur die wordt gebruikt met gelijkstroom of die dat genereert.

Brandveiligheid

Plaats geen bronnen met open vuur, zoals brandende kaarsen, op het apparaat. De seriële poort van de apparatuur wordt alleen gebruikt voor foutopsporing.

Preventie hete oppervlakken

LET OP: Hete onderdelen! Verbrande vingers bij het hanteren van



de onderdelen. Wacht een half uur na het uitschakelen voordat u onderdelen aanraakt. Deze sticker is om aan te geven dat het gemarkeerde item heet

kan zijn en niet mag worden aangeraakt zonder voorzichtig te zijn. Als het apparaat is voorzien van deze sticker, is het bestemd voor installatie in een ruimte met beperkte toegang. Er kan uitsluitend toegang worden verkregen door onderhoudspersoneel of door gebruikers die zijn geïnstrueerd over de redenen voor de beperkingen die van toepassing zijn op de locatie en over alle voorzorgsmaatregelen die moeten worden getroffen.

Installatie

Installeer het apparaat volgens de instructies in deze handleiding. Om letsel te voorkomen, moet dit apparaat veilig op het montagevlak worden vastgezet in overeenstemming met de installatie-instructies. Plaats het apparaat NOOIT op een onstabiele plaats. Het apparaat kan dan vallen, wat ernstig letsel of de dood tot gevolg kan hebben. Installeer geen apparaten voor professioneel gebruik op locaties waar er waarschijnlijk kinderen zullen komen.

Als het apparaat niet is uitgebracht met een voedingsadapter, en de ongeïsoleerde kabels van het apparaat moeten worden bekabeld: De externe bedrading van het apparaat die wordt aangesloten op de gevaarlijke spanningvoerende klemmen moet door een geïnstrueerd persoon worden geïnstalleerd. Controleer eerst of de voeding is losgekoppeld voor u het apparaat bekabelt, installeert of demonteert.

De voeding of het apparaat moet worden aangesloten op een geaard stopcontact. Hoge spanning voor de voeding. Demonteer het apparaat niet. Als u het apparaat zelf moet bedraden, selecteert u de overeenkomende draad om stroom te leveren in overeenstemming met de elektrische parameters die op het apparaatlabel staan. Strip de draad met een standaard draadstripper op de overeenkomende positie. Om ernstige gevolgen te voorkomen, moet de lengte van de strip geschikt zijn en mogen de geleiders niet worden blootgesteld.

Stroomvoorziening

Het apparaat wordt aangedreven door Zeer lage veiligheidsspanning (ZLVS): De stroombron moet voldoen aan de vereisten voor beperkte stroombronnen of PS2-vereisten volgens de normen IEC 60950-1 of IEC 62368-1.

Het apparaat wordt aangedreven door AC-voedingsspanning: De

apparatuur moet worden aangesloten op een geaard stopcontact. Er moet een geschikt, gemakkelijk toegankelijke uitschakel-apparaat buiten het apparaat worden aangebracht. Er moet buiten het apparaat een geschikte overstroombeveiliging zijn aangebracht, die de bouwspecificaties niet overschrijdt. In de elektrische installatie van het gebouw moet een meerpolige netschakelaar worden ingebouwd. Als het apparaat stroom krijgt via de klemmen die zijn aangesloten op de voedingskabel, moet u zorgen voor de juiste spanning en bekabeling van de klemmen voor aansluiting op een wisselstroomnet. Indien nodig is de apparatuur aangepast voor aansluiting op een IT-stroomdistributiesysteem.

Verlichting met wit licht (indien ondersteund)

Dit product stoot mogelijk gevaarlijke optische straling uit. Staar NIET in de operationele lichtbron. Dit kan schadelijk zijn voor uw ogen. Draag de juiste oogbescherming of doe het witte licht NIET aan wanneer u de camera monteert, installeert of onderhoudt.

Transport

Bewaar het apparaat in de originele of soortgelijke verpakking tijdens vervoer.

Systeembeveiliging

Wij vragen uw begrip voor het feit dat u verantwoordelijkheid bent voor het configureren van alle wachtwoorden en andere beveiligingsinstellingen betreffende het apparaat, en bewaar uw gebruikersnaam en wachtwoord.

Onderhoud

Als het product niet goed werkt, neem dan contact op met uw leverancier of het dichtstbijzijnde servicecentrum. Wij aanvaarden geen verantwoordelijkheid voor problemen die zijn veroorzaakt door ongeautoriseerde reparatie of onderhoud.

Reiniging

Gebruik een zachte, droge doek om de binnenkant en buitenkant van de productklep te reinigen. Gebruik geen alkalische schoonmaakmiddelen.

Gebruiksomgeving

Wanneer laserapparatuur in gebruik is, zorg er dan voor dat de lens van het apparaat niet wordt blootgesteld aan de laserstraal, anders kan deze doorbranden. Stel het apparaat NIET bloot aan hoge elektromagnetische straling of stoffige omgevingen. Plaats apparaten die alleen binnenhuis worden gebruikt in een droge en goed geventileerde omgeving. Richt de lens NIET op de zon of een ander fel licht. Zorg dat de gebruiksomgeving voldoet aan de vereisten van het apparaat. Plaats de camera NIET op extreem warme, koude, stoffige of vochtige plekken en stel het niet bloot aan hoge elektromagnetische straling.

Noodgeval

Als er rook, geur of geluid uit de voeding of het apparaat komt, schakel het dan onmiddellijk uit, haal de stekker van het netsnoer uit het stopcontact en neem contact op met het servicecentrum.

Tijdsynchronisatie

Stel tijd op het apparaat handmatig in bij de eerste aanmelding, als de lokale tijd niet is gesynchroniseerd met die van het netwerk. Bezoek het apparaat via webbrowser/clientsoftware en ga naar de interface voor tijdsinstellingen.

Reflectie

Zorg ervoor dat er geen reflecterend oppervlak te dicht bij de lens van het apparaat is. Het IR-licht van het apparaat kan terugkaatsen in de lens waardoor reflectie ontstaat.

Dodržování předpisů a bezpečnostní informace

Před použitím zařízení si pečlivě přečtěte všechny informace a pokyny v tomto dokumentu a dokument uschovejte pro pozdější použití.

Více informací a pokynů k tomuto zařízení najdete na našich webových stránkách <https://www.hikvision.com>. Další informace můžete také získat z ostatních dokumentů dodaných se zařízením (pokud byly nějaké dodány) nebo naskenováním QR kódu z obalu zařízení (pokud se na něm nějaký kód nachází).

PROHLÁŠENÍ O VYLOUČENÍ ODPOVĚDNOSTI

- **TENTO DOKUMENT A POPISOVANÉ PRODUKTY VČETNĚ PŘÍSLUŠNÉHO HARDWARU, SOFTWARE A FIRMWARU JSOU V MAXIMÁLNÍM ROZSAHU PŘÍPUSTNÉM PODLE ZÁKONA POSKYTOVÁNY, „JAK STOJÍ A LEŽÍ“, A „SE VŠEMI VADAMI A CHYBAMI“. SPOLEČNOST HIKVISION NEPOSKYTUJE ŽÁDNÉ VÝSLOVNÉ ANI PŘEDPOKLÁDANÉ ZÁRUKY ZAHRNÚJÍCÍ MIMO JINÉ PRODEJNOST, USPOKOJIVOU KVALITU NEBO VHODNOST KE KONKRÉTNÍM ÚČELŮM. POUŽÍVÁNÍ TOHOTO PRODUKTU JE NA VAŠE VLASTNÍ RIZIKO. SPOLEČNOST HIKVISION V ŽÁDNÉM PŘÍPADĚ NENESE ODPOVĚDNOST ZA JAKÉKOLI ZVLÁŠTNÍ, NÁSLEDNÉ, NÁHODNÉ NEBO NEPŘÍMÉ ŠKODY ZAHRNÚJÍCÍ MIMO JINÉ ŠKODY ZE ZTRÁTY OBCHODNÍHO ZISKU, PŘERUŠENÍ OBCHODNÍ ČINNOSTI NEBO ZTRÁTY DAT, POŠKOZENÍ SYSTÉMŮ NEBO ZTRÁTY DOKUMENTACE V SOUVISLOSTI S POUŽÍVÁNÍM TOHOTO VÝROBKU BEZ OHLEDU NA TO, ZDA TAKOVÉ ŠKODY VZNIKLY Z DŮVODU PORUŠENÍ SMLOUVY, OBČANSKOPRÁVNÍHO PŘEČINU (VČETNĚ NEDBALOSTI) ČI ODPOVĚDNOSTI ZA VÝROBEK, A TO ANI V PŘÍPADĚ, ŽE SPOLEČNOST HIKVISION BYLA NA MOŽNOST TAKOVÝCHTO ŠKOD NEBO ZTRÁTY UPOZORNĚNA.**
- **BERETE NA VĚDOMÍ, ŽE INTERNET SVOU PODSTATOU PŘEDSTAVUJE SKRYTÁ BEZPEČNOSTNÍ RIZIKA A SPOLEČNOST HIKVISION PROTO NEPŘEBÍRÁ ŽÁDNOU ODPOVĚDNOST ZA NESTANDARDNÍ PROVOZNÍ CHOVÁNÍ, ÚNIK OSOBNÍCH ÚDAJŮ NEBO JINÉ ŠKODY VYPLÝVAJÍCÍ Z KYBERNETICKÉHO ČI HACKERSKÉHO ÚTOKU, NAPADENÍ VIREM NEBO ŠKODY ZPŮSOBENÉ JINÝMI INTERNETOVÝMI BEZPEČNOSTNÍMI RIZIKY. SPOLEČNOST HIKVISION VŠAK V PŘÍPADĚ POTŘEBY POSKYTNE VČASNOU TECHNICKOU PODPORU.**
- **SOUHLASÍTE S TÍM, ŽE TENTO PRODUKT BUDE POUŽÍVÁN V SOULADU SE VŠEMI PLATNÝMI ZÁKONY A VÝHRADNĚ ODPOVÍDÁTE ZA ZAJIŠTĚNÍ, ŽE VAŠE UŽÍVÁNÍ BUDE V SOULADU S PLATNOU LEGISLATIVOU. ODPOVÍDÁTE ZEJMÉNA ZA POUŽÍVÁNÍ PRODUKTU ZPŮSOBEM, KTERÝ NEPORUŠUJE PRÁVA TŘETÍCH STRAN, COŽ ZAHRNÚJE MIMO JINÉ PRÁVO NA OCHRANU OSOBNOSTI, PRÁVO DUŠEVNÍHO VLASTNICTVÍ NEBO PRÁVO NA OCHRANU OSOBNÍCH ÚDAJŮ A DALŠÍ PRÁVA NA OCHRANU SOUKROMÍ. TENTO PRODUKT NESMÍTE POUŽÍVAT K JAKÝMKOLI NEDOVOLENÝM KONCOVÝM ÚČELŮM VČETNĚ VÝVOJE ČI VÝROBY ZBRANÍ HROMADNÉHO NIČENÍ, VÝVOJE NEBO VÝROBY CHEMICKÝCH ČI BIOLOGICKÝCH ZBRANÍ NEBO JAKÝCHKOLI ČINNOSTÍ SOUVISEJÍCÍCH S JADERNÝMI VÝBUŠNINAMI NEBO NEBEZPEČNÝM JADERNÝM PALIVOVÝM CYKLEM ČI K PODPOŘE PORUŠOVÁNÍ LIDSKÝCH PRÁV.**
- **V PŘÍPADĚ ROZPORU MEZI TÍMTO DOKUMENTEM A PLATNÝMI PRÁVNÍMI PŘEDPISY MAJÍ PŘEDNOST TYTO PŘEDPISY.**

Tyto části se vztahují pouze k výrobkům nesoucím odpovídající označení nebo informaci.

Prohlášení o shodě EU



Tento výrobek, a případně i dodané příslušenství, jsou označeny štítkem „CE“, což znamená, že vyhovují příslušným harmonizovaným evropským normám uvedeným ve směrnici 2014/30/EU (EMCD) a směrnici 2011/65/EU (RoHS).

Poznámka: Výrobky se vstupním napětím 50 až 1 000 V AC nebo 75 až 1 500 V DC vyhovují směrnici 2014/35/EU (LVD) a ostatní výrobky vyhovují směrnici 2001/95/ES (GPSD). Přečtěte si informace o konkrétním zdroji napájení.

Plné znění EU prohlášení o shodě je k dispozici na následující internetové adrese:

<https://www.hikvision.com/en/support/compliance/declaration-of-conformity>.



Směrnice 2012/19/EU (směrnice WEEE): Výrobky označené tímto symbolem nelze v Evropské unii likvidovat společně s netříděným domovním odpadem. Při zakoupení nového ekvivalentního výrobku tento výrobek řádně zrecykluje vrácením svému místnímu dodavateli, nebo jej zlikvidujte odevzdáním v určených sběrných místech. Více informací naleznete na webu: www.recyclethis.info.



Směrnice 2006/66/ES a její úprava 2013/56/EU (směrnice o bateriích): Tento výrobek obsahuje baterii, kterou nelze v Evropské unii likvidovat společně s netříděným domovním odpadem. Konkrétní informace o baterii naleznete v dokumentaci výrobku. Baterie je označena tímto symbolem, který může obsahovat písmena značící kadmium (Cd), olovo (Pb) nebo rtuť (Hg). Za účelem řádné recyklace baterii odevzdejte svému dodavateli nebo na určené sběrné místo. Více informací naleznete na webu: www.recyclethis.info.

Bezpečnostní pokyny

Účelem těchto pokynů je to, aby uživatel používal tento produkt správně a nedošlo k žádným nebezpečím ani ztrátě majetku.

Zákony a předpisy

Zařízení je nutné používat v souladu s místními zákony a předpisy týkajícími se elektrické bezpečnosti a předpisy pro protipožární ochranu.

Elektřina

Při používání výrobku je nutné přísně dodržovat všechny národní a místní předpisy týkající se elektrické bezpečnosti. Zařízení nesmí být vystaveno kapající nebo stříkající vodě a nesmí se na něj pokládat předměty s tekutinami, jako jsou vázy. Ve speciálních podmínkách, jako je na vrcholcích hor, na kovové věži nebo v lese namontujte do vstupního otvoru zařízení přepětovou ochranu. **UPOZORNĚNÍ:** Pokud lze pojistku zařízení vyměňovat, vyměňujte ji pouze za pojistku stejného modelu, abyste snížili riziko požáru nebo úrazu elektrickým proudem. Nedotýkejte se obnažených součástí (jako jsou kovové kontakty přívodů) a vyčkejte alespoň 5 minut, protože po vypnutí zařízení zde může ještě být elektrický proud. Pokud se zařízení zapíná a vypíná pouze pomocí napájecí zástrčky a síťové zásuvky, musí se síťová zásuvka nacházet v blízkosti zařízení a musí být snadno přístupná.

Baterie

Zabraňte spolknutí baterie. Nebezpečí popálení chemikáliemi! Tento výrobek obsahuje knoflíkovou baterii. Dojde-li ke spolknutí knoflíkové baterie, může dojít k závažným popáleninám již za dvě

hodiny, a následkem může být smrt. Nové a použité baterie uchovávejte mimo dosah dětí. Nezavřete-li se bezpečně přihrádka na baterie, přestaňte výrobek používat a držte jej mimo dosah dětí. Pokud se domníváte, že mohlo dojít ke spolknutí baterií nebo jejich umístění uvnitř kterékoli části těla, okamžitě vyhledejte lékařskou pomoc. **UPOZORNĚNÍ:** Při výměně baterie za nesprávný typ hrozí nebezpečí výbuchu. Použité baterie zlikvidujte podle pokynů. Vyměníte-li baterii za nesprávný typ, může dojít k poškození bezpečnostního prvku (například v případě některých typů lithiových baterií). Nevhazujte do ohně, nekládejte do horké trouby, mechanicky ji nedrťte ani neřezejte. Mohlo by dojít k výbuchu. Neponechávejte baterii v prostředí s extrémně vysokou teplotou, protože by mohlo dojít k výbuchu nebo úniku hořlavé kapaliny nebo plynu. Nevystavujte baterii extrémně nízkému tlaku vzduchu, protože by mohlo dojít k výbuchu nebo úniku hořlavé kapaliny nebo plynu. + označuje kladnou svorku zařízení, která se používá se stejnosměrným proudem nebo jej generuje. - označuje zápornou svorku zařízení, která se používá se stejnosměrným proudem nebo jej generuje.

Požární ochrana

Na zařízení se nesmí pokládat zdroje otevřeného ohně jako například hořící svíčky. Sériový port zařízení se používá pouze k ladění.

Ochrana před horkým povrchem

UPOZORNĚNÍ: Horké díly! Při manipulaci s díly si můžete popálit prsty. Než budete s díly manipulovat, vyčkejte po vypnutí zařízení půl hodiny. Tato nálepka označuje, že označená položka může být horká a měli byste se jí vždy dotýkat opatrně. Zařízení s touto nálepkou je určeno k instalaci na místě s omezeným přístupem, přístup mohou získat pouze zaměstnanci servisu nebo uživatelé, kteří byli poučeni o důvodech omezení vztahujících se k místu a o veškerých ochranných opatřeních, která mají být přijata.



Montáž
Namontujte zařízení podle pokynů v tomto návodu. Toto zařízení je třeba v souladu s montážními pokyny bezpečně připevnit k montážnímu povrchu, aby nedošlo ke zranění. Zařízení nikdy neumísťujte na nestabilní místo. Zařízení může spadnout a způsobit vážné zranění nebo smrt. Nemontujte zařízení pro profesionální používání do míst, kde by se mohly vyskytovat děti. Pokud zařízení není dodáno s napájecím adaptérem a potřebujete zapojit odizolované kabely zařízení: Připojení externí kabeláže ke svorkám pod nebezpečným napětím proto musí provádět vyškolená osoba. Před připojením, instalací a demontáží zařízení se ujistěte, že bylo napájení odpojeno. Zdroj napájení nebo zařízení musí být připojeno k uzemněné síťové zásuvce. Vysoké napětí pro zdroj napájení. Nedemontujte. Pokud je nutné, abyste zařízení zapojili sami, k napájení vyberte odpovídající kabel podle elektrických parametrů na štítku zařízení. Odizolujte kabel v odpovídajícím místě pomocí standardních odizolovacích kleští. Délka odizolovaného kabelu musí být dostatečná a vodiče nesmí být vystaveny, aby se zabránilo vážným následkům.

Montáž

Napájení
Zařízení je napájeno SELV (velmi nízké bezpečnostní napětí): Zdroj napájení musí splňovat požadavky na omezený zdroj napájení nebo požadavky PS2 podle normy IEC 60950-1 nebo IEC 62368-1.

Napájení

Zařízení je napájeno AC síťovým napětím: Zařízení musí být připojeno k uzemněné síťové zásuvce. K dispozici musí být vhodné snadno přístupné odpojovací zařízení, které musí být k zařízení připojeno externě. K dispozici musí být vhodné zařízení proudové ochrany, které musí být k zařízení připojeno externě a nesmí překročit specifikaci budovy. Elektroinstalace budovy musí zahrnovat vypínač všech pólů. Pokud je zařízení napájeno svorkami připojenými k napájecímu kabelu, při připojení k síťovému napájení zkontrolujte správné napětí a správné zapojení svorek. Toto zařízení bylo navrženo a v případě potřeby upraveno k připojení do rozvodného systému IT.

Bílé osvětlení (je-li podporováno)
Tento výrobek může vyzařovat nebezpečné optické záření. **NEDÍVEJTE** se do zapnutého zdroje světla. Může být pro oči škodlivé. Při sestavení, montáži nebo údržbě kamery noste vhodnou ochranu očí nebo **NEZAPÍNEJTE** bílé světlo.

Bílé osvětlení (je-li podporováno)

Přeprava
Při přepravě uchovávejte zařízení v původním nebo jemu podobném balení.

Zabezpečení systému

Mějte na paměti, že jste odpovědní za konfiguraci všech hesel a dalších nastavení zabezpečení zařízení a uchovejte uživatelské jméno a heslo.

Údržba

V případě, že výrobek nefunguje správně, obraťte se na prodejce nebo na nejbližší servisní středisko. Nepřebíráme žádnou odpovědnost za problémy způsobené neoprávněnou opravou nebo údržbou.

Čištění

Při čištění vnitřní a vnější plochy krytu produktu použijte měkký a suchý hadřík. Nepoužívejte alkalické čisticí prostředky.

Provozní prostředí

Používá-li se nějaké laserové zařízení, zajistěte, aby nebyl objektiv zařízení vystaven laserovému paprsku. V opačném případě by se mohl vypálit. **NEVYSTAVUJTE** zařízení silnému elektromagnetickému záření ani prašnému prostředí. Zařízení je určeno pouze pro použití v interiéru, umístěte jej na suché a dobře větrané místo. **NEMIŘTE** objektivem do slunce ani do jiného zdroje jasného světla. Zajistěte, aby provozní prostředí vyhovovalo požadavkům zařízení. Kameru **NEUMISŤUJTE** na místa s extrémně vysokými nebo nízkými teplotami, do prašného nebo vlhkého prostředí a ani ji nevystavujte vysokému elektromagnetickému záření.

Stav nouze

Pokud ze zdroje napájení nebo ze zařízení vychází kouř, zápach nebo hluk, zařízení okamžitě vypněte, odpojte napájecí kabel a obraťte se na servisní středisko.

Synchronizace času

Není-li místní čas synchronizován s časem sítě, nastavte při prvním přístupu čas zařízení ručně. Přejděte prostřednictvím webového prohlížeče nebo klientského softwaru k zařízení a otevřete rozhraní pro nastavení času.

Odraz

Ujistěte se, že v těsné blízkosti objektivu zařízení není žádný odrazný povrch. Infračervené osvětlení ze zařízení se může odrážet zpět do objektivu, a způsobovat tak odrazy.

Lovgivningsmæssig overensstemmelse og sikkerhedsoplysninger

Læs alle oplysninger og instrukser i dette dokument omhyggeligt, inden du tager enheden i brug, og gem dokumentet som reference.

Besøg vores websted på <https://www.hikvision.com> for yderligere oplysninger og instrukser vedr. enheden. Du kan også læse evt. andre dokumenter, der leveres med enheden, eller scanne en evt. QR-kode på emballagen for yderligere oplysninger.

JURIDISK ANSVARFRASKRIVELSE

- DOKUMENTET OG DET HERI BESKREVNE PRODUKT, INKL. HARDWARE, SOFTWARE OG FIRMWARE, LEVERES I STØRST MULIGT OMFANG, SOM DET ER TILLADT I HENHOLD TIL GÆLDENDE LOVGIVNING, "SOM DET ER OG FOREFINDES" OG "MED ALLE DEFEKTER OG FEJL". HIKVISION UDSTEDER INGEN GARANTIER, UDTRYKKELIGE ELLER UNDERFORSTÅEDE, INKL. UDEN BEGRÆNSNING, VEDRØRENDE SALGBARHED, TILFREDSSTILLENDE KVALITET ELLER EGNETHED TIL ET BESTEMT FORMÅL. DIN BRUG AF PRODUKTET SKER PÅ DIN EGEN RISIKO. UNDER INGEN OMSTÆNDIGHEDER ER HIKVISION ANSVARLIG OVER FOR DIG FOR SÆRLIGE SKADER, HÆNDELIGE SKADER, FØLGESKADER ELLER INDIREKTE SKADER, INKL. BL.A., SKADER SOM FØLGE AF DRIFTSTAB, DRIFTSFORSTYRELSE ELLER TAB AF DATA, BESKADIGELSE AF SYSTEMER ELLER TAB AF DOKUMENTATION, UANSET OM DET ER BASERET PÅ KONTRAKTBRUD, SKADEVOLDENDE HANDLINGER (HERUNDER UAGTSOMHED), PRODUKTANSVAR ELLER PÅ ANDEN MÅDE I FORBINDELSE MED BRUGEN AF PRODUKTET, SELVOM HIKVISION ER BLEVET UNDERRETTET OM MULIGHEDEN FOR SÅDANNE SKADER.
- DU ANERKENDER, AT INTERNETTET INDEHOLDER INDBYGGEDE SIKKERHEDSRISICI. HIKVISION PÅTAGER SIG INTET ANSVAR FOR UNORMAL DRIFT, LÆKAGE AF PERSONLIGE OPLYSNINGER ELLER ANDRE SKADER SOM FØLGE AF CYBERANGREB, HACKERANGREB, VIRUSANGREB ELLER ANDRE INTERNETSIKKERHEDSRISICI. HIKVISION VIL DOG YDE EVENTUEL NØDVENDIG OG RETTIDIG TEKNISK BISTAND.
- DU ERKLÆRER DIG INDFORSTÅET MED AT BRUGE PRODUKTET I OVERENSSTEMMELSE MED ALLE GÆLDENDE LOVE, OG DU ER ENEANSVARLIG FOR AT SIKRE, AT DIN BRUG OVERHOLDER AL GÆLDENDE LOVGIVNING. DU ER ISÆR ANSVARLIG FOR AT BRUGE PRODUKTET PÅ EN MÅDE, DER IKKE KRÆNKER TREDJEPARTERS RETTIGHEDER, HERUNDER, UDEN BEGRÆNSNINGER, RETTIGHEDER VEDRØRENDE OFFENTLIG OMTALE, INTELLEKTUELLE EJENDOMSRETTIGHEDER ELLER RETTIGHEDER VEDRØRENDE DATASKYTTELSE OG ANDRE RETTIGHEDER VEDRØRENDE PERSONLIGE OPLYSNINGER. DU MÅ IKKE BRUGE PRODUKTET TIL FORBUDTE SLUTANVENDELSER, HERUNDER UDVIKLING ELLER FREMSTILLING AF MASSEØDELÆGGELSESVÅBEN, UDVIKLING ELLER PRODUKTION AF KEMISKE ELLER BIOLOGISKE VÅBEN, AKTIVITETER I DEN KONTEKST, DER ER KNYTTET TIL ATOMBOMBER ELLER USIKKERT REAKTORBRÆNDSEL, ELLER SOM STØTTE TIL OVERTRÆDELSE AF MENNESKERETTIGHEDER.
- I TILFÆLDE AF UOVERENSSTEMMELSE MELLEM DOKUMENTET OG GÆLDENDE LOVGIVNING GÆLDER SIDSTNÆVNTE.

Disse bestemmelser gælder kun for produkter, der er forsynet med det relevante mærke eller oplysninger.

Erklæring om overensstemmelse med EU



Produktet og eventuelt medfølgende tilbehør er mærket "CE" og opfylder derfor gældende harmoniserede europæiske standarder anført i

EU-direktiv 2014/30/EU (EMCD) og EU-direktiv 2011/65/EU (RoHS).

Bemærk: Produkter med en indgangsspænding på 50 til 1.000 V vekselstrøm eller 75 til 1.500 V jævnstrøm overholder direktiv 2014/35/EU (LVD), og de øvrige produkter overholder direktiv 2001/95/EF (GPSD). Kontrollér oplysningerne om strømforsyningen for reference.

EU-overensstemmelseserklæringens fulde tekst kan findes på følgende internetadresse:

<https://www.hikvision.com/en/support/compliance/declaration-of-conformity>.



EU-direktiv 2012/19/EU (WEEE-direktivet): Produkter, der er mærket med dette symbol, kan ikke bortskaffes som almindeligt husholdningsaffald i EU. Med henblik på korrekt genbrug skal du aflevere produktet til din lokale leverandør ved køb af tilsvarende nyt udstyr eller aflevere det på et dertil indrettet indleveringssted. Du kan få flere oplysninger her: www.recyclethis.info.



Direktiv 2006/66/EF som ændret ved 2013/56/EU (batteridirektivet): Dette produkt indeholder et batteri, som ikke kan bortskaffes sammen med almindeligt husholdningsaffald i EU. Find specifikke oplysninger om

batteriet i produktokumentationen. Batteriet er mærket med dette symbol, som kan indeholde bogstaver, der indikerer indhold af kadmium (Cd), bly (Pb) eller kviksølv (Hg). Med henblik på korrekt genbrug skal du aflevere batteriet til din leverandør eller til et dertil indrettet indleveringssted. Du kan få flere oplysninger her: www.recyclethis.info.

Sikkerhedsanvisning

Disse anvisninger skal sikre, at brugeren kan anvende produktet korrekt og undgå fare eller tab af ejendom.

Love og bestemmelser

Enheden skal anvendes i overensstemmelse med lokale love, sikkerhedsbestemmelser for elnettilslutning og brandforebyggelse.

Elektricitet

Når du anvender produktet, skal du strengt overholde landets og områdets sikkerhedsbestemmelser for elnettilslutning. Udsæt ikke udstyret for dryp eller sprøjt, og placér ikke genstande med væske, såsom vaser, oven på udstyret. Installér en spændingsdæmper ved udstyrets indgangsåbning under særlige forhold som f.eks. bjergtop, jerntårn og skov. **FORSIGTIG:** Hvis enhedens sikring kan udskiftes, må den kun udskiftes med en anden af samme model for at reducere risikoen for brand eller elektriske stød. Du må ikke røre ved de nøgne komponenter (f.eks. metalkontakterne på indtagene), og du skal vente i mindst 5 minutter, da der stadig kan være elektricitet, efter at enheden er slukket. Hvad angår enheder, der tændes og slukkes kun med strømstik og stikkontakt, skal stikkontakten installeres i nærheden af enheden og være nemt tilgængelig.

Batteri

Slug ikke batteriet. Fare for kemisk ætsning! Produktet indeholder et mønt-/knapcellebatteri. Et mønt-/knapcellebatteri, der sluges, kan medføre alvorlige indre forbrændinger på bare 2 timer og kan medføre døden. Hold nye og brugte batterier væk fra børn. Hvis batterirummet ikke lukker forsvarligt, skal du stoppe med at bruge produktet og holde det væk fra børn. Hvis du tror, at en person har slugt et batteri eller placeret det i en del af kroppen, skal du øjeblikkeligt søge lægehjælp. **FORSIGTIG:** Der er eksplosionsfare,

hvis batteriet udskiftes med en forkert type. Bortskaf brugte batterier i henhold til anvisningerne. Udskiftning af batteriet med et batteri af forkert type kan sætte en sikkerhedsforanstaltning ud af kraft (gælder fx for visse litium-batterityper). Bortskaf ikke batteriet i åben ild eller en varm ovn. Knus ikke, og skær ikke i batteriet, da dette kan forårsage en eksplosion. Efterlad IKKE batteriet i omgivelser med ekstremt høje temperaturer, da det kan medføre en eksplosion eller lækage af brandfarlig væske eller luftart. Udsæt ikke batteriet for omgivelser med ekstremt lavt lufttryk, da det kan medføre en eksplosion eller lækage af brandfarlig væske eller luftart. + identificerer de positive terminaler på udstyret, der bruges sammen med eller genererer jævnstrøm. - identificerer de negative terminaler på udstyret, der bruges sammen med eller genererer jævnstrøm.

Forebyggelse af brand

Placér ikke kilder med åben ild, såsom et tændt stearinlys, oven på udstyret. Den serielle port på udstyret bruges kun til fejlfinding.

Forebyggelse mod varm overflade

FORSIGTIG: Varme dele! Du kan brænde fingrene ved håndtering



af delene. Vent en halv time fra du slukker, til du håndterer delene. Klistermærket angiver, at den mærkede del kan være varm og bør berøres med

forsigtighed. Hvis enheden har påsat dette klistermærke, betyder det, at enheden skal installeres et sted med begrænset adgang, hvor adgang kun kan opnås af servicepersonale eller af brugere, der er instruerede i årsagerne til stedets begrænsninger og i evt. forholdsregler, der skal træffes.

Installation

Installér enheden i overensstemmelse med anvisningerne i vejledningen. For at undgå personskade skal enheden fastgøres forsvarligt til installationsoverfladen i overensstemmelse med installationsvejledningen. Enheden må aldrig anbringes på et ustabil underlag. Enheden kan vælte og forårsage alvorlig personskade eller død. Installér ikke enheder til professionel brug på steder, hvor der er mulighed for, at der færdes børn. Hvis enheden ikke frigives med en strømadapter, og du skal tilslutte enhedens bare kabler: Enhedens eksterne ledninger, der er tilsluttet de farlige strømførende terminaler, kræver installation af en instrueret person. Kontrollér, at strømmen er afbrudt, før du trækker ledninger til, installerer eller adskiller enheden. Strømforsyningen eller enheden skal være tilsluttet en stikkontakt med jordforbindelse. Der bruges højspænding til strømforsyningen. Adskil den ikke. Hvis du selv skal kabelføre enheden, skal du vælge den tilhørende ledning med henblik på at strømforsyne i henhold til de elektriske parametre, der er markeret på enheden. Afisolér ledningen med en standardledningsstripper i den tilhørende position. For at undgå alvorlige konsekvenser skal længden af den afisolerede ledning være passende, og lederne må ikke være nøgne.

Strømforsyning

Enheden drives af ekstra lav spænding (SELV): Strømkilden skal overholde kravene i LPS eller PS2 i henhold til standarden IEC 60950-1 eller IEC 62368-1.

Enheden strømforsynes med vekselstrøm fra lysnettet: Udstyret skal tilsluttes en stikkontakt på elnettet med jordforbindelse. Der

skal være indbygget en passende, let tilgængelig afbryderanordning uden for udstyret. Der skal opsættes en passende enhed med beskyttelse mod overspænding uden for udstyret, som ikke overskrider bygningens specifikationer. En hovedafbryder til alle poler skal indbygges i bygningens elinstallation. Hvis enheden strømforsynes af terminaler, der er sluttede til el-ledningen, skal du sikre korrekt spænding og kabelføring af terminalerne til tilslutning til hovedstrømforsyningen. Udstyret kan efter behov ændres til tilslutning til et strømfordelingssystem med klassifikation IT.

Hvidt lys (hvis understøttet)

Mulig farlig optisk stråling fra dette produkt. UNDLAD at stirre ind i lyskilden. Kan være skadelig for øjnene. Bær passende øjenbeskyttelse eller UNDLAD at tænde det hvide lys, når du samler, installerer eller vedligeholder kameraet.

Transport

Opbevar enheden i den oprindelige eller en lignende emballage, når den skal transporteres.

Systemikkerhed

Du skal være bevidst om, at du har ansvar for at konfigurere alle adgangskoder og andre sikkerhedsindstillinger vedrørende enheden og at opbevare dit brugernavn og din adgangskode et sikkert sted.

Vedligeholdelse

Hvis produktet ikke virker korrekt, skal du kontakte din forhandler eller dit nærmeste servicecenter. Vi påtager os intet ansvar for problemer, der er forårsaget af uautoriseret reparation eller vedligeholdelse.

Rengøring

Brug en blød, tør klud, når du rengør kamerakuplens yder- og indersider. Brug ikke alkaliske rengøringsmidler.

Driftsmiljø

Når der er et laserudstyr i brug, skal det kontrolleres, at enhedens objektiv ikke udsættes for laserstrålen, ellers kan det brænde ud. Enheden må IKKE udsættes for kraftig elektromagnetisk stråling eller støvfylde miljøer. Indendørsenheder skal placeres i et tørt og velventileret miljø. Objektivet må IKKE rettes mod solen eller et stærkt lys. Kontrollér, at driftsmiljøet opfylder enhedens krav. UNDLAD at placere kameraet på ekstremt varme, kolde, støvede eller fugtige steder, og udsæt det ikke for høj elektromagnetisk stråling.

Nødsituation

Hvis der opstår røg, lugt eller støj fra strømforsyningen eller enheden, skal du straks slukke for strømmen, trække strømkablet ud og kontakte servicecentret.

Tidssynkronisering

Konfigurér enhedstiden manuelt første gang, du tilgår enheden, hvis den lokale tid ikke er synkroniseret til netværkets. Gå ind på enheden via din webbrowser/klientsoftware, og gå ind i tidsindstillingerne.

Refleksion

Sørg for, at der ikke findes reflekterende overflader for tæt på enhedens objektiv. IR-lyset fra enheden kan skinne tilbage i linsen og give genskin.

A készülék használata előtt figyelmesen olvassa el a jelen dokumentumban található összes információt és utasítást, és őrizze meg azokat jövőbeni referenciaként.

A készülékkel kapcsolatos további információkért és utasításokért kérjük, látogasson el weboldalunkra a <https://www.hikvision.com> címen. További információkat kaphat a készülékhez mellékelt egyéb dokumentumokból is (ha vannak ilyenek), vagy ha beolvassa a csomagoláson található QR-kódot (ha van ilyen).

JOGI NYILATKOZAT

- JELEN DOKUMENTUM, VALAMINT AZ ITT ISMERTETETT TERMÉK SZOFTVERE ÉS FIRMWARE-JE A TÖRVÉNY ÁLTAL MEGENGEDETT LEGTELJESEBB MÉRTÉKIG „AZ ADOTT ÁLLAPOTBAN”, „MINDEN ESETLEGES HIBÁJÁVAL EGYÜTT ÁLL RENDELKEZÉSRE”. A HIKVISION NEM VÁLLAL SEM KIFEJEZETT, SEM TÖRVÉNY ÁLTAL VÉLELMEZETT JÓTÁLLÁST, TÖBBEK KÖZÖTT – DE NEM KORLÁTOZVA – A TERMÉK ÉRTÉKESÍTHETŐSÉGÉRE, MEGFELELŐ MINŐSÉGÉRE, VALAMINT ADOTT CÉLRA VALÓ ALKALMASSÁGÁRA. A TERMÉKET KIZÁRÓLAG SAJÁT FELELŐSSÉGÉRE HASZNÁLHATJA. A HIKVISION SEMMILYEN ESETBEN SEM VÁLLAL FELELŐSÉGET ÖN FELÉ SEMMILYEN KÜLÖNLEGES, KÖVETKEZMÉNYES, JÁRULÉKOS VAGY KÖZVETETT KÁRÉRT, BELEÉRTVE TÖBBEK KÖZÖTT A TERMÉK HASZNÁLATÁVAL ÖSSZEFÜGGÉSBEN AZ ÜZLETI HASZON ELVESZTÉSÉBŐL, AZ ÜZLETMENET MEGSZAKADÁSÁBÓL, VALAMINT AZ ADATOK VAGY DOKUMENTUMOK ELVESZTÉSÉBŐL EREDŐ KÁROKAT, TÖRTÉNJEN EZ SZERZŐDÉSSZEGÉS VAGY KÁROKOZÁS (BELEÉRTVE A GONDATLANSÁGOT) EREDMÉNYEKÉNT, MÉG AKKOR SEM, HA A HIKVISION VÁLLALATOT TÁJÉKOZTATTÁK AZ ILYEN KÁROK BEKÖVETKEZÉSÉNEK LEHETŐSÉGÉRŐL.
- ÖN TUDOMÁSUL VESZI, HOGY AZ INTERNET TERMÉSZETÉBŐL FAKADÓAN REJT KOCKÁZATOKAT, ÉS A HIKVISION SEMMILYEN FELELŐSÉGET NEM VÁLLAL A RENDELLENES MŰKÖDÉSÉRT, A SZEMÉLYES ADATOK KISZIVÁRGÁSÁÉRT VAGY MÁS OLYAN KÁROKÉRT, AMELYEKET KIBERTÁMADÁSOK, HACKERTÁMADÁSOK, VÍRUSFERTŐZÉSEK VAGY MÁS INTERNETES BIZTONSÁGI VESZÉLYEK OKOZTAK; A HIKVISION AZONBAN KÉRÉSRE IDŐBEN MŰSZAKI TÁMOGATÁST NYÚJT.
- ÖN ELFOGADJA, HOGY EZT A TERMÉKET KIZÁRÓLAG A VONATKOZÓ TÖRVÉNYI ELŐÍRÁSOK BETARTÁSÁVAL HASZNÁLJA, ÉS HOGY A VONATKOZÓ TÖRVÉNYEKNEK MEGFELELŐ HASZNÁLAT KIZÁRÓLAG AZ ÖN FELELŐSSÉGE. KÜLÖNÖSKÉPPEN AZ ÖN FELELŐSSÉGE, HOGY A TERMÉK HASZNÁLATA SORÁN NE SÉRTSE HARMADIK FÉL JOGAIT, BELEÉRTVE, DE NEM KORLÁTOZVA A NYILVÁNOSSÁGRA, SZELLEMI TULAJDONRA, ADATOK VÉDELMEÉRE ÉS EGYÉB SZEMÉLYES ADATOKRA VONATKOZÓ JOGOKAT. A TERMÉKET NEM HASZNÁLHATJA TILTOTT CÉLRA, BELEÉRTVE A TÖMEGPUSZTÍTÓ FEGYVEREK FEJLESZTÉSÉT VAGY GYÁRTÁSÁT, A VEGYI VAGY BIOLÓGIAI FEGYVEREK FEJLESZTÉSÉT VAGY GYÁRTÁSÁT, VALAMINT BÁRMILYEN, ROBBANÁSVESZÉLYES VAGY NEM BIZTONSÁGOS NUKLEÁRIS HASADÓANYAG-CIKLUSSAL KAPCSOLATOS TEVÉKENYSÉGET, ILLETVE EMBERI JOGI VISSZAÉLÉSEKET TÁMOGATÓ MÓDON TÖRTÉNŐ FELHASZNÁLÁST.
- BÁRMILYEN, A JELEN DOKUMENTUM ÉS A HATÁLYOS JOGSZABÁLYOK KÖZÖTTI ELLENTMONDÁS ESETÉN AZ UTÓBBI A MÉRVADÓ.

Ezek a cikkelyek kizárólag a megfelelő jelt vagy információt viselő termékekre vonatkoznak.

EU megfelelési nyilatkozat



Ez a termék és a mellékelt tartozékai (ha vannak) a „CE” jelzést viselik, így megfelelnek a 2014/30/EU (EMCD) és a 2011/65/EU (RoHS) irányelvben felsorolt

harmonizált európai szabványoknak.

Megjegyzés: Az 50 - 1000 V (egyenáram) vagy 75 - 1500 V (váltóáram) tartományba eső bemeneti feszültséggel rendelkező termékek a 2014/35/EU (LVD) irányelv előírásainak, míg a többi termék a 2001/95/EK (GPSD) irányelv előírásainak felel meg. Kérjük, ellenőrizze az adott tápegységre vonatkozó tájékoztató információkat.

Az EU megfelelési nyilatkozat teljes szövege a következő internetcímen érhető el:

<https://www.hikvision.com/en/support/compliance/declaration-of-conformity>.



2012/19/EU irányelv (WEEE irányelv): Az ilyen jelzéssel ellátott termékeket nem lehet szelektálatlan kommunális hulladékként kiselejtezni az Európai Unióban. A megfelelő újrahasznosítás érdekében vigye vissza ezt a terméket helyi forgalmazóhoz, amikor új, egyenértékű berendezést vásárol, vagy adja le a kijelölt gyűjtőhelyeken.

További információk: www.recyclethis.info.



2006/66/EK irányelv és annak 2013/56/EU kiegészítése (akkumulátor-irányelv): Ez a termék olyan akkumulátort tartalmaz, amelyet az Európai Unióban tilos szelektálatlan kommunális hulladékként

ártalmatlanítani. A termékdokumentációban további információkat talál az akkumulátorról. Az akkumulátor ezzel a jelzéssel van ellátva. A jelzésen megtalálhatók lehetnek a kadmiumot (Cd), ólmot (Pb) vagy higanyt (Hg) jelző betűjelek. A megfelelő újrahasznosítás érdekében vigye vissza az akkumulátort a forgalmazóhoz, vagy juttassa el egy kijelölt gyűjtőhelyre. További információk: www.recyclethis.info.

Biztonsági utasítások

Ezen utasítások célja annak biztosítása, hogy a felhasználó a terméket megfelelően tudja használni veszély vagy vagyoni veszteség elkerülése érdekében.

Törvények és szabályok

Az eszközt a helyi törvények, elektromos biztonsági és tűzvédelmi előírások betartásával kell használni.

Elektromosság

A termék használata során az ország és a régió elektromos biztonsági előírásait szigorúan be kell tartani. A készüléket védeni kell csöpögő vagy fröccsenő víz és folyadékok ellen. Ne helyezzen vizet tartalmazó edényt, tárgyat, pl. vázát a tetejére. Speciális elhelyezés (pl. hegytető, vastorony, erdő) esetén a berendezés bemeneti nyílásánál alkalmazzon túláramvédőt. **VIGYÁZAT:** Amennyiben a készülék biztosítóka cserélhető, a tűz- és áramütésveszély csökkentése érdekében a kiégett biztosítókat csak ugyanolyan típusú biztosítókkal helyettesítse. Ne érintse meg a csupasz alkatrészeket (például a bemenetek fémérintkezőit), és a kikapcsolás után várjon legalább 5 percet, hiszen fennáll a veszélye, hogy áram marad a készülékben. A csak hálózati csatlakozóval működő készülék esetében a dugaljat a készülék közelében és könnyen hozzáférhetően kell elhelyezni.

Akkumulátor

Ne nyelje le az akkumulátort. Kémiai égésveszély! Ez a termék gombelemet tartalmaz. A gombelem lenyelés esetén már 2 órán belül súlyos belső marási sérülést, vagy akár halált is okozhat. Az új és használt elemek gyermekektől elzárva tartandók. Ha az

elemtartó rekesz nem záródik megfelelően, ne használja a terméket, és gyermekektől tartsa elzárva. Az elem lenyelésének vagy más testnyílásba helyezésének gyanúja esetén azonnal orvosi ellátást kell kérni. **VIGYÁZAT:** Az akkumulátor nem megfelelő típusúra cserélése robbanásveszélyt idézhet elő. A használt akkumulátorokat az utasításoknak megfelelően semlegesítse. Az akkumulátor nem megfelelő típussal történő helyettesítése hatástalaníthat adott biztonsági berendezéseket (például bizonyos típusú lítiumos akkumulátorok esetében). Tilos az akkumulátort tűzbe vagy forró sütőbe helyezni, illetve összetörni vagy szétvágni, mert ez robbanást okozhat. Tilos az akkumulátort rendkívül magas környezeti hőmérsékletnek kitenni, mert ez robbanást, illetve gyúlékony folyadék vagy gáz szivárgását idézheti elő. Tilos az akkumulátort rendkívül alacsony légnyomásnak kitenni, mert ez robbanást, illetve gyúlékony folyadék vagy gáz szivárgását okozhatja. A + a berendezés áramot fogadó vagy leadó pozitív érintkezőjét jelöli. A - a berendezés áramot fogadó vagy leadó negatív érintkezőjét jelöli.

Tűzvédelmi előírások

Tilos a berendezésen nyílt lángforrást, pl. gyertyát elhelyezni. A készülék soros portja kizárólag hibakeresésre szolgál.

Figyelmeztetés forró felületekre

VIGYÁZAT: Forró alkatrészek! Az alkatrészek megérintése esetén



az ujjak égési sérülésének veszélye áll fenn. Az eszköz kikapcsolását követően várjon fél órát, mielőtt ezekhez a részekhez érne. Ez a címke azt jelöli,

hogy a jelölt elem forró lehet, és csak kellő elővigyázatossággal szabad megérinteni. A matricával megjelölt eszközöket korlátozottan hozzáférhető helyeken történő használatra tervezték, a hozzáférés csak a szervizszemélyzet vagy olyan felhasználók számára engedélyezett, akiket tájékoztattak a beépítési hely korlátozott hozzáférhetőségének okáról, valamint a szükséges óvintézkedésekről.

Telepítés

a készüléket az útmutatóban előírtak szerint végezze. A balesetveszély elkerülése érdekében a készüléket szilárdan a rögzítési felülethez kell erősíteni, az üzembe helyezési utasításoknak megfelelően. Soha ne helyezze az eszközt instabil helyre. A készülék leeshet, ami súlyos vagy akár halálos sérülést okozhat. Ne telepítsen profi használatra szánt eszközöket olyan helyekre, ahol gyermekek is tartózkodhatnak.

Ha az eszközhöz nem tartozik hálózati adapter, és a bevonattal nem rendelkező kábeleket kell vezetékelnie: A veszélyes feszültség alatt álló csatlakozókhoz csatlakozó külső vezetékek bekötését csak megfelelően képzett személy végezheti. A készülék bekötése, telepítése vagy szétszerelése előtt győződjön meg róla, hogy a készülék le van választva az elektromosságról.

A tápegységet vagy az eszközt földelt hálózati aljzatra kell csatlakoztatni. A tápegységhez magas feszültség szükséges. Ne szerelje szét. Ha a készüléket saját kezűleg kell bekötnie, figyeljen arra, hogy a megfelelő huzalt válassza a tápellátáshoz, a készüléken feltüntetett elektromossági paramétereknek megfelelően. Csupaszítsa le a huzalt egy szabványos csupaszítófogóval a megfelelő helyen. A súlyos következmények elkerülése érdekében arra figyeljen, hogy a lecsupaszított vezeték legyen megfelelő hosszúságú, és ne maradjon szabadon lecsupaszított huzalvég.

Tápellátás

Az eszköz biztonságos rendkívüli alacsony feszültségről (SELV)

működik: Az áramforrásnak teljesítenie kell a korlátozott áramforrásokra vonatkozó előírásokat vagy az IEC 60950-1 vagy IEC 62368-1 szabvány PS2 előírásait.

Az eszköz váltakozó áramú hálózati feszültségről működik: A berendezést földelt hálózati aljzatra kell csatlakoztatni. A készüléket egy külső, könnyen elérhető leválasztóeszközzel kell ellátni. A készüléket egy külső túláramvédelmi eszközzel kell ellátni, amelynek paraméterei nem haladják meg az épület paramétereit. Az épület elektromos hálózatában legyen egy minden pólust megszakító főkapcsoló. Amennyiben a készüléket a tápkábelhez csatlakoztatott érintkezőkön keresztül helyezi feszültség alá, figyeljen a hálózati tápforráshoz csatlakozó érintkezők megfelelő feszültségére és bekötésére. A készülék úgy van kialakítva, hogy szükség esetén IT besorolású tápfeszültség-elosztó rendszerhez csatlakoztatható.

Fehér fényű fényforrás (ha támogatott)

A termék potenciálisan veszélyes fénysugarat bocsát ki. NE nézzen a működő fényforrásba. Szemkárosodást okozhat. Viseljen megfelelő szemvédő eszközt, illetve NE kapcsolja be a fehér fényforrást a kamera összeszerelése, telepítése vagy karbantartása közben.

Szállítás

Szállítás alkalmával tartsa a terméket az eredeti vagy ahhoz hasonló csomagolásban.

Rendszerbiztonság

Ne feledje, hogy az Ön felelőssége az eszközhöz kapcsolódó összes jelszó és egyéb biztonsági beállítás megadása, valamint felhasználónevének és jelszavának biztonságos megőrzése.

Karbantartás

Ha a termék NEM működik megfelelően, forduljon a kereskedőhöz vagy a legközelebbi szervizközpontoz. Nem vállalunk felelősséget az illetéktelen javításból vagy karbantartásból eredő károkért.

Tisztítás

A termék burkolata külső és belső felületének tisztításához puha, száraz ruhát használjon. Ne használjon lúgos tisztítószereket.

Használati környezet

Ha bármilyen lézerekészüléket használ, figyeljen arra, hogy a készülék lencséjét ne érje a lézersugár, különben az kiéghet. NE TEGYE ki a készüléket erős elektromágneses sugárzásnak vagy poros környezetnek. A kizárólag beltéri használatra alkalmas készüléket száraz és jól szellőző környezetben helyezze el. NE IRÁNYÍTSA az objektívet a Nap vagy más erős fényforrás irányába. Bizonyosodjon meg, hogy a használati környezet megfelel a készülék előírásainak. NE helyezze a kamerát szélsőségesen forró, hideg, poros vagy nedves környezetbe, és ne tegye ki erős elektromágneses sugárzásnak.

Vészhelyzet

Ha a tápegység vagy az eszköz füstöt, furcsa szagot vagy zajt bocsát ki, azonnal kapcsolja ki, húzza ki a tápkábelt, majd forduljon a szervizközpontoz.

Időszinkronizálás

Ha a helyi idő hálózati idővel való szinkronizálása nem történik meg, akkor az eszköz idejét kézzel kell beállítani.

Webböngészőn/kliensszoftveren keresztül nyissa meg az eszközt, majd lépjen az időbeállítás felületre.

Tükröződés

Győződjön meg arról, hogy nincs tükröződő felület az eszköz optikájának közelében. Az eszköz által sugárzott infravörös fény visszatükröződhet az optikába, és reflexiót okozhat.

Informacje dotyczące zgodności z przepisami i bezpieczeństwa

Przed skorzystaniem z urządzenia należy uważnie przeczytać ten podręcznik i zachować go jako źródło informacji referencyjnych. Aby uzyskać więcej informacji dotyczących urządzenia, skorzystaj z naszej witryny internetowej <https://www.hikvision.com>.

Aby uzyskać więcej informacji, można też skorzystać z innych dokumentów dostarczonych razem z urządzeniem lub zeskanować kod QR na opakowaniu.

ZASTRZEŻENIA PRAWNE

- W PEŁNYM ZAKRESIE DOZWOLONYM PRZEZ OBOWIĄZUJĄCE PRAWO TEN DOKUMENT, OPISANY PRODUKT I ZWIĄZANE Z NIM WYPOSAŻENIE ORAZ OPROGRAMOWANIE APLIKACYJNE I UKŁADOWE SĄ UDOSTĘPNIANE NA ZASADACH „AS IS” BEZ GWARANCJI BRAKU USTEREK I BŁĘDÓW („WITH ALL FAULTS AND ERRORS”). FIRMA HIKVISION NIE UDZIELA ŻADNYCH WYRAŹNYCH ANI DOROZUMIANYCH GWARANCJI, TAKICH JAK GWARANCJE DOTYCZĄCE PRZYDATNOŚCI HANDLOWEJ, JAKOŚCI LUB PRZYDATNOŚCI DO OKREŚLONEGO CELU.

UŻYTKOWNIK KORZYSTA Z PRODUKTU NA WŁASNE RYZYKO.

NIEZALEŻNIE OD OKOLICZNOŚCI FIRMA HIKVISION NIE PONOSI ODPOWIEDZIALNOŚCI ZA STRATY SPECJALNE, NASTĘPCZE, UBOCZNE LUB POŚREDNIE, TAKIE JAK STRATA OCZEKIWANYCH ZYSKÓW Z DZIAŁALNOŚCI BIZNESOWEJ, PRZERWY W DZIAŁALNOŚCI BIZNESOWEJ, USZKODZENIE SYSTEMÓW ALBO STRATA DANYCH LUB DOKUMENTACJI, WYNIKAJĄCE Z NARUSZENIA UMOWY, PRZEWINIENIA (ŁĄCZNIE Z ZANIEDBANIE), ODPOWIEDZIALNOŚCI ZA PRODUKT LUB INNYCH OKOLICZNOŚCI, ZWIĄZANE Z UŻYCIEM TEGO PRODUKTU, NAWET JEŻELI FIRMA HIKVISION ZOSTAŁA POINFORMOWANA O MOŻLIWOŚCI WYSTĄPIENIA TAKICH SZKÓD LUB STRAT.

- UŻYTKOWNIK PRZYJMUJE DO WIADOMOŚCI, ŻE KORZYSTANIE Z INTERNETU JEST ZWIĄZANE Z ZAGROŻENIAMI DLA BEZPIECZEŃSTWA, A FIRMA HIKVISION NIE PONOSI ODPOWIEDZIALNOŚCI ZA NIEPRAWIDŁOWE FUNKCJONOWANIE, NIEAUTORYZOWANE UJAWNIEŃ POUFNYCH INFORMACJI LUB INNE SZKODY WYNIKAJĄCE Z ATAKU CYBERNETYCZNEGO, ATAKU HAKERA, DZIAŁANIA WIRUSÓW LUB INNYCH ZAGROŻEŃ DLA BEZPIECZEŃSTWA W INTERNECIE. FIRMA HIKVISION ZAPEWNI JEDNAK POMOC TECHNICZNĄ W ODPOWIEDNIM CZASIE, JEŻELI BĘDZIE TO WYMAGANE.
- UŻYTKOWNIK ZOBOWIĄZUJE SIĘ DO KORZYSTANIA Z PRODUKTU ZGODNIE Z PRZEPISAMI I PRZYJMUJE DO WIADOMOŚCI, ŻE JEST ZOBOWIĄZANY DO ZAPEWNIENIA ZGODNOŚCI UŻYCIA PRODUKTU Z PRZEPISAMI. W SZCZEGÓLNOŚCI UŻYTKOWNIK JEST ZOBOWIĄZANY DO KORZYSTANIA Z PRODUKTU W SPOSÓB, KTÓRY NIE NARUSZA PRAW STRON TRZECICH, DOTYCZĄCYCH NA PRZYKŁAD WIZERUNKU KOMERCYJNEGO, WŁASNOŚCI INTELEKTUALNEJ LUB OCHRONY DANYCH I PRYWATNOŚCI. UŻYTKOWNIK NIE BĘDZIE UŻYWAĆ PRODUKTU DO CELÓW ZABRONIONYCH, TAKICH JAK OPRACOWANIE LUB PRODUKCJA BRONI MASOWEGO RAŻENIA ALBO BRONI CHEMICZNEJ LUB BIOLOGICZNEJ ORAZ DZIAŁANIA ZWIĄZANE Z WYBUCHOWYMI MATERIAŁAMI NUKLEARNYMI, NIEBEZPIECZNYM NUKLEARNYM CYKLEM PALIWOWYM LUB ŁAMANIEM PRAW CZŁOWIEKA.
- W PRZYPADKU NIEZGODNOŚCI NINIEJSZEGO DOKUMENTU Z OBOWIĄZUJĄCYM PRAWEM WYŻSZY PRIORYTET BĘDZIE

MIAŁO OBOWIĄZUJĄCE PRAWO.

Te klauzule dotyczą tylko produktów z odpowiednimi oznaczeniami lub etykietami.**Deklaracja zgodności z dyrektywami UE**

Ten produkt i ewentualnie dostarczone razem z nim akcesoria oznaczono symbolem „CE” potwierdzającym zgodność z odpowiednimi

ujednoczonymi normami europejskimi, uwzględnionymi w dyrektywie 2014/30/EU (EMCD) i dyrektywie 2011/65/EU (RoHS).

Uwaga: Produkt przystosowany do napięcia wejściowego 50–1000 V AC lub 75–1500 V DC jest zgodny z dyrektywą 2014/35/UE dotyczącą sprzętu elektrycznego przewidzianego do stosowania w określonych granicach napięcia (LVD), a pozostałe produkty są zgodne z dyrektywą 2001/95/WE w sprawie ogólnego bezpieczeństwa produktów (GPSD). Należy sprawdzić specyfikacje zasilania urządzenia.

Cały tekst deklaracji zgodności z dyrektywami UE jest dostępny pod następującym adresem internetowym:

<https://www.hikvision.com/en/support/compliance/declaration-of-conformity>.



Dyrektywa 2012/19/UE w sprawie zużytego sprzętu elektrycznego i elektronicznego (WEEE):

Produktów oznaczonych tym symbolem nie wolno utylizować na obszarze Unii Europejskiej jako

niesegregowane odpady komunalne. Aby zapewnić prawidłowy recykling tego produktu, należy zwrócić go do lokalnego dostawcy przy zakupie równoważnego nowego urządzenia lub utylizować go w wyznaczonym punkcie selektywnej zbiórki odpadów.

Aby uzyskać więcej informacji, zobacz: www.recyclethis.info.



Dyrektywa 2006/66/WE w sprawie baterii i akumulatorów i zmieniająca ją dyrektywa

2013/56/UE: Ten produkt zawiera baterię, której nie wolno utylizować na obszarze Unii Europejskiej jako

niesegregowane odpady komunalne. Szczegółowe informacje dotyczące baterii zamieszczono w dokumentacji produktu.

Bateria jest oznaczona tym symbolem, który może także zawierać litery wskazujące na zawartość kadmu (Cd), ołowiu (Pb) lub rtęci (Hg). Aby zapewnić prawidłowy recykling baterii, należy zwrócić ją do dostawcy lub przekazać do wyznaczonego punktu zbiórki. Aby uzyskać więcej informacji, zobacz:

www.recyclethis.info.

Zalecenia dotyczące bezpieczeństwa

Niniejsze instrukcje umożliwiają prawidłowe użytkowanie urządzenia oraz uniknięcie zagrożeń i zniszczenia wyposażenia.

Przepisy i rozporządzenia

Urządzenie powinno być użytkowane zgodnie z lokalnymi przepisami, rozporządzeniami dotyczącymi korzystania z wyposażenia elektrycznego i przepisami przeciwpożarowymi.

Zasilanie elektryczne

Produkt powinien być użytkowany zgodnie z rozporządzeniami dotyczącymi bezpiecznego korzystania z urządzeń elektrycznych, obowiązującymi w danym kraju lub regionie. Nie wolno dopuścić do rozlania cieczy na urządzeniu. Nie wolno ustawiać na urządzeniu naczyń napełnionych cieczą, takich jak wazy.

Należy zapewnić tłumienie udarów elektrycznych przy otwarciu urządzenia w specjalnych warunkach takich jak szczyt wzgórza, wieża z elementów stalowych lub las. PRZESTROGA:

Jeżeli konieczna jest wymiana bezpieczników, należy używać bezpieczników tego samego typu, aby ograniczyć ryzyko pożaru lub porażenia prądem elektrycznym. Nieosłoniętych elementów urządzenia (takich jak metalowe styki złącz) można dotykać nie wcześniej niż pięć minut po wyłączeniu zasilania, ponieważ należy poczekać na usunięcie ładunków elektrycznych.

W przypadku urządzenia, którego zasilanie jest włączane/wyłączane poprzez wyjęcie wtyczki przewodu zasilającego z gniazda sieci elektrycznej lub przy użyciu wyłącznika w tym gnieździe, należy zainstalować to gniazdo w łatwo dostępnym miejscu w pobliżu urządzenia.

Bateria

Nie wolno połykać baterii. Zagrożenie poparzeniem chemicznym!

W tym produkcie wykorzystywana jest bateria pastylkowa.

Połknięcie baterii pastylkowej może spowodować poważne oparzenie wewnętrzne już po dwóch godzinach i zgon. Nowe i zużyte baterie należy przechowywać w miejscu niedostępnym dla dzieci. Jeżeli zasobnik na baterie nie jest prawidłowo zamknięty, należy zrezygnować z użycia produktu i umieścić go w miejscu niedostępnym dla dzieci. Jeżeli można przypuszczać, że baterie zostały połknięte lub w inny sposób dostały się do wnętrza ciała, należy niezwłocznie skorzystać z porady/pomocy medycznej.

PRZESTROGA: Zainstalowanie nieodpowiedniej baterii może spowodować wybuch. Zużyte baterie należy utylizować zgodnie z instrukcjami. Zainstalowanie nieodpowiedniej baterii może spowodować zagrożenie (dotyczy to na przykład niektórych baterii litowych). Wrzucenie baterii do ognia lub rozgrzanego pieca albo zgniecenie lub przecięcie baterii może spowodować wybuch. Wysoka temperatura w otoczeniu może spowodować wybuch baterii albo wyciek palnej cieczy lub gazu. Ekstremalnie niskie ciśnienie powietrza w otoczeniu może spowodować wybuch baterii albo wyciek palnej cieczy lub gazu. Symbol „+” oznacza dodatnie styki prądu stałego w urządzeniu. Symbol „-” oznacza ujemne styki prądu stałego w urządzeniu.

Ochrona przeciwpożarowa

Nie wolno umieszczać na urządzeniu źródeł nieosłoniętego płomienia, takich jak zapalone świece. Złącze szeregowo urządzenia jest używane wyłącznie do debugowania.

Zagrożenia związane z gorącymi elementami

PRZESTROGA: Gorąca powierzchnia! Dotknięcie gorących elementów może spowodować oparzenie palców. Po wyłączeniu zasilania należy odczekać pół godziny przed dotknięciem podzespołów urządzenia. Podzespoły oznaczone tą etykietą mogą być gorące, dlatego należy obchodzić się z nimi ostrożnie.

Urządzenia oznaczone tą etykietą są przeznaczone do instalacji w lokalizacjach dostępnych tylko dla personelu serwisowego lub użytkowników poinformowanych o celach ograniczenia dostępu do danej lokalizacji i stosowanych środkach ostrożności.

Instalacja

Urządzenie należy zainstalować zgodnie z instrukcjami podanymi w tym podręczniku. Aby zapobiec zranieniu, należy prawidłowo przymocować urządzenie zgodnie z instrukcjami instalacyjnymi.

Nie wolno instalować urządzenia na niestabilnym podłożu.

Urządzenie może upaść i spowodować poważne zranienie lub zgon.

Urządzeń przeznaczonych do użytku profesjonalnego nie wolno instalować w lokalizacjach, w których mogą przebywać dzieci.

Jeśli urządzenie nie jest dostarczane z zasilaczem i konieczne jest podłączenie gołych kabli urządzenia: zewnętrzne okablowanie urządzenia podłączone do niebezpiecznych zacisków pod napięciem wymaga instalacji przez przeszkoloną osobę. Przed podłączeniem, instalacją lub demontażem urządzenia należy odłączyć jego zasilanie.

Zasilacz lub urządzenie musi być podłączone do uziemionego gniazda sieci elektrycznej. Wysokie napięcie zasilania. Nie należy demontować. Jeżeli konieczne jest samodzielne podłączenie urządzenia, należy użyć przewodu zasilającego zgodnego z parametrami elektrycznymi podanymi na etykiecie urządzenia. Usuń izolację przewodu na odpowiednim odcinku standardowym narzędziem. Aby zapobiec poważnym konsekwencjom, należy zapewnić odpowiednią długość odcinka przewodu bez izolacji.

Zasilanie

Zasilanie urządzenia w trybie bardzo niskiego napięcia bezpiecznego (SELV): Źródło zasilania powinno spełniać wymagania dotyczące źródeł zasilania z własnym ograniczeniem (LPS) lub wymagania PS2 zgodnie z normą IEC 60950-1 lub IEC 62368-1.

Zasilanie urządzenia z sieci elektrycznej AC: Urządzenie musi być podłączone do uziemionego gniazda sieci elektrycznej. Na linii zasilającej urządzenie należy zainstalować odpowiedni, łatwo dostępny odłącznik. Urządzenie należy podłączyć do odpowiedniego wyposażenia zabezpieczającego przed zbyt wysokim natężeniem prądu elektrycznego, zgodnego ze specyfikacjami instalacji budynku. Przełącznik umożliwiający odłączenie wszystkich przewodów linii zasilającej powinien być używany w instalacji elektrycznej budynku. Jeżeli urządzenie jest podłączone do sieci elektrycznej przewodem zasilającym, należy upewnić się, że przewód i złącza są przystosowane do napięcia sieci. Urządzenie zostało zaprojektowane w sposób umożliwiający przystosowanie do zasilania z sieci elektrycznej w konfiguracji IT.

Oświetlenie światłem białym (jeżeli jest używane)

Produkt emituje światło widzialne, które może być szkodliwe.

NIE wolno spoglądać bezpośrednio w wiązkę światła.

Może to spowodować uszkodzenie wzroku. Należy korzystać z odpowiednich okularów ochronnych, a jeżeli odpowiednie okulary są niedostępne, NIE wolno włączać oświetlenia światłem białym podczas montażu, instalacji lub konserwacji kamery.

Transport

Podczas transportu urządzenie powinno być umieszczone w oryginalnym lub podobnym opakowaniu.

Zabezpieczenia systemu

Użytkownik jest zobowiązany do skonfigurowania wszystkich haseł i ustawień zabezpieczeń urządzenia oraz ochrony własnej nazwy użytkownika i hasła.

Konserwacja

Jeżeli produkt nie działa prawidłowo, skontaktuj się z dystrybutorem lub najbliższym centrum serwisowym.

Producent nie ponosi odpowiedzialności za problemy spowodowane przez nieautoryzowane prace naprawcze lub konserwacyjne.

Czyszczenie

Wewnętrzne i zewnętrzne elementy urządzenia należy czyścić miękką, suchą ściereczką. Nie wolno używać alkalicznych środków czyszczących.

Warunki otoczenia

Jeżeli używane jest wyposażenie laserowe, należy upewnić się, że obiekt urządzenia nie jest oświetlany przez wiązkę lasera, ponieważ może to spowodować jego spalanie. Należy chronić

urządzenie przed silnym promieniowaniem elektromagnetycznym oraz kurzem i pyłem. Jeżeli urządzenie jest przeznaczone do użytku w budynkach, należy umieścić je w suchym i odpowiednio wentylowanym miejscu. NIE wolno kierować obiektywem w stronę słońca lub innego źródła intensywnej światła. Należy upewnić się, że warunki otoczenia spełniają wymagania określone przez producenta urządzenia. NIE wolno umieszczać kamery w lokalizacjach, w których występują bardzo wysokie lub niskie temperatury, kurz, pył lub wilgoć, ani narażać jej na silne promieniowanie elektromagnetyczne.

Poważne awarie

Jeżeli urządzenie lub zasilacz wydziela dym lub intensywny zapach albo emituje hałas, należy niezwłocznie wyłączyć zasilanie

i odłączyć przewód zasilający, a następnie skontaktować się z centrum serwisowym.

Synchronizacja czasu

Podczas pierwszego dostępu można ręcznie ustawić czas urządzenia, jeżeli nie jest on zsynchronizowany z czasem sieci. Należy wyświetlić okno ustawień czasu urządzenia przy użyciu przeglądarki internetowej / oprogramowania klienckiego.

Odbicie światła

Należy upewnić się, że żadne elementy odbłaskowe nie znajdują się zbyt blisko obiektywu urządzenia. Promieniowanie podczerwone z urządzenia może być odbijane wstecz do obiektywu.

Română

Conformitatea cu reglementările și informații privind siguranța

Citiți cu atenție toate informațiile și instrucțiunile din acest document înainte de a utiliza dispozitivul și păstrați-l pentru referințe ulterioare.

Pentru mai multe informații și instrucțiuni despre dispozitiv, vă rugăm să vizitați site-ul nostru web la <https://www.hikvision.com>. De asemenea, puteți consulta alte documente (dacă există) care însoțesc dispozitivul sau puteți scana codul QR (dacă există) de pe ambalaj pentru a obține mai multe informații.

PRECIZĂRI LEGALE

- ÎN MĂSURA MAXIMĂ PERMISSĂ DE LEGISLAȚIA APLICABILĂ, ACEST DOCUMENT ȘI PRODUSUL DESCRIS, ÎMPREUNĂ CU HARDWARE-UL, SOFTWARE-UL ȘI FIRMWARE-UL SĂU, SUNT FURNIZATE „CA ATARE” ȘI „CU TOATE DEFECTELE ȘI ERORILE”. HIKVISION NU OFERĂ NICIO GARANȚIE, EXPRESĂ SAU IMPLICITĂ, INCLUSIV, DAR FĂRĂ A SE LIMITA LA, COMERCIALIZAREA, CALITATEA SATISFĂCĂTOARE SAU ADECVAREA PENTRU UN ANUMIT SCOP. UTILIZAREA PRODUSULUI DE CĂTRE DVS. ESTE PE PROPRIUL RISC. ÎN NICI UN CAZ HIKVISION NU VA FI RESPONSABILĂ FAȚĂ DE DVS. PENTRU ORICE DAUNE SPECIALE, SECUNDARE, ACCIDENTALE SAU INDIRECTE, INCLUSIV, PRINTRE ALTELE, DAUNE PPRIN PIERDEREA PROFITURILOR DIN AFACERI, ÎNTRERUPEREA ACTIVITĂȚII SAU PIERDEREA DATELOR, DETERIORAREA SISTEMELOR SAU PIERDEREA DOCUMENTAȚIEI, FIE CĂ SE BAZEAZĂ PE ÎNCĂLCAREA CONTRACTULUI, DELICT (INCLUSIV NEGLIJENȚĂ), RĂSPUNDEREA CU PRIVIRE LA PRODUS SAU ÎN ALT MOD, ÎN LEGĂTURĂ CU UTILIZAREA PRODUSULUI, CHIAR DACĂ HIKVISION A FOST INFORMATĂ CU PRIVIRE LA POSIBILITATEA UNOR ASTFEL DE DAUNE SAU PIERDERI.
- RECUNOAȘTEȚI CĂ NATURA INTERNETULUI IMPLICĂ RISCURI DE SECURITATE INERENTE, IAR HIKVISION NU ÎȘI ASUMĂ NICIO RESPONSABILITATE PENTRU FUNCȚIONAREA ANORMALĂ, SCURGEREA DE INFORMAȚII CONFIDENȚIALE SAU ALTE DAUNE REZULTATE DIN ATACURI CIBERNETICE, ATACURI ALE HACKERILOR, INFECTĂRI CU VIRUȘI SAU ALTE RISCURI DE SECURITATE PE INTERNET; CU TOATE ACESTE, HIKVISION VA OFERI ASISTENȚĂ TEHNICĂ ÎN TIMP UTIL DACĂ ESTE NECESAR.
- SUNTEȚI DE ACORD SĂ UTILIZAȚI ACEST PRODUS ÎN CONFORMITATE CU TOATE LEGILE APLICABILE ȘI VĂ REVINE ÎN ÎNTREGIME RESPONSABILITATEA DE A VĂ ASIGURA CĂ UTILIZAREA DVS. ESTE ÎN CONFORMITATE CU LEGISLAȚIA APLICABILĂ. ÎN SPECIAL, SUNTEȚI RESPONSABIL, PENTRU UTILIZAREA ACESTUI PRODUS ÎNTR-UN MOD CARE NU ÎNCALCĂ DREPTURILE TERȚILOR, INCLUSIV, FĂRĂ LIMITARE, DREPTURILE DE PUBLICITATE, DREPTURILE DE PROPRIETATE INTELECTUALĂ

SAU PROTECȚIA DATELOR ȘI ALTE DREPTURI DE CONFIDENȚIALITATE. NU VEȚI UTILIZA ACEST PRODUS PENTRU UTILIZĂRI FINALE INTERZISE, INCLUSIV PENTRU DEZVOLTAREA SAU PRODUCEREA DE ARME DE DISTRUGERE ÎN MASĂ, DEZVOLTAREA SAU PRODUCEREA DE ARME CHIMICE SAU BIOLOGICE, ORICE ACTIVITĂȚI ÎN CONTEXTUL ORICĂRUI CICLU NUCLEAR EXPLOZIV SAU NESIGUR AL COMBUSTIBILULUI NUCLEAR SAU ÎN SPRIJINUL OAMENILOR ABUZURI DE DREPTURI.

- ÎN CAZUL UNOR CONFLICTE ÎNTRE ACEST DOCUMENT ȘI LEGEA APLICABILĂ, ACEASTA DIN URMĂ PREVALEAZĂ.

Aceste clauze se aplică numai produselor care poartă marca sau informațiile corespunzătoare.

Declarație de conformitate UE



Acest produs și - dacă este cazul - și accesoriile furnizate sunt marcate cu "CE" și, prin urmare, sunt conforme cu standardele europene armonizate aplicabile enumerate în Directiva 2014/30/UE (EMCD) și Directiva 2011/65/UE (RoHS).

Notă: Produsele cu o tensiune de intrare cuprinsă între 50 și 1000 V c.a. sau 75 și 1500 V c.c. sunt conforme cu Directiva 2014/35/UE (LVD), iar restul produselor sunt conforme cu Directiva 2001/95/CE (GPSD). Verificați informațiile specifice privind sursa de alimentare pentru referință.

Textul integral al declarației de conformitate UE este disponibil la următoarea adresă de internet:

<https://www.hikvision.com/en/support/compliance/declaration-of-conformity>.



Directiva 2012/19/UE (Directiva DEEE): produsele marcate cu acest simbol nu pot fi eliminate ca deșeuri municipale nesortate în Uniunea Europeană. Pentru o reciclare adecvată, returnați acest produs furnizorului local la achiziționarea unui echipament nou echivalent sau predați-l într-unul dintre punctele de colectare desemnate. Pentru mai multe informații vezi: www.recyclethis.info.



Directiva 2006/66/CE și modificarea acesteia 2013/56/UE (Directiva privind bateriile): acest produs conține o baterie care nu poate fi eliminată ca deșeu municipal nesortat în Uniunea Europeană. Consultați documentația produsului pentru informații specifice despre baterie. Bateria este marcată cu acest simbol, care poate include litere pentru a indica cadmiul (Cd), plumbul (Pb) sau mercurul (Hg). Pentru o reciclare corectă, returnați bateria furnizorului dvs.

sau la un punct de colectare desemnat. Pentru mai multe informații vezi: www.recyclethis.info.

Instrucțiuni de siguranță

Aceste instrucțiuni au fost concepute pentru a se asigura că utilizatorul poate folosi corect produsul, în scopul evitării pericolelor și a pagubelor materiale.

Legi și reglementări

Dispozitivul trebuie utilizat în conformitate cu legile locale, reglementările privind siguranța electrică și reglementările privind prevenirea incendiilor.

Electricitate

La utilizarea produsului, trebuie să respectați cu strictețe reglementările de siguranță electrică naționale și regionale. Echipamentul nu trebuie să fie expus la picurare sau stropire și nu trebuie să fie așezate pe el obiecte pline cu lichide, cum ar fi vase. Furnizați un supresor de supratensiune la deschiderea de admisie a echipamentului în condiții speciale, cum ar fi vârful muntelui, turnul de fier și pădurea. **ATENȚIE:** Dacă siguranța dispozitivului poate fi înlocuită, înlocuiți-o numai cu o alta de același tip pentru a reduce riscul de incendiu sau de electrocutare. Nu atingeți componentele neizolate (precum contactele metalice ale bornelor de intrare) și așteptați cel puțin 5 minute, întrucât poate exista electricitate și după oprirea dispozitivului. Pentru dispozitivul pornit și oprit numai prin ștecăr și priză de rețea, priza trebuie să fie instalată în apropierea dispozitivului și să fie ușor accesibilă.

Baterie

Nu ingerați bateria. Pericol de arsuri chimice! Acest produs conține o baterie cu celulele primare tip buton sau monedă. Dacă bateria cu monedă/buton este înghițită, aceasta poate provoca arsuri interne grave în doar 2 ore și poate duce la deces. Nu lăsați bateriile noi și pe cele folosite la îndemâna copiilor. În cazul în care compartimentul pentru baterii nu se închide bine, nu mai utilizați produsul și nu îl lăsați la îndemâna copiilor. Dacă bănuieți că bateriile au fost ingerate sau introduse în interiorul oricărei părți a corpului, solicitați imediat asistență medicală. **ATENȚIE:** Risc de explozie dacă bateria este înlocuită cu una de tip incorect. Aruncați bateriile uzate în conformitate cu instrucțiunile. Înlocuirea necorespunzătoare a bateriei cu un tip incorect poate anula o protecție (de exemplu, în cazul unor tipuri de baterii cu litiu). Nu aruncați bateria în foc sau într-un cuptor încins și nici nu striviți sau tăiați mecanic bateria, deoarece aceasta poate provoca o explozie. Nu lăsați bateria într-un mediu înconjurător cu temperaturi extrem de ridicate, ceea ce poate duce la o explozie sau la scurgerea de lichid sau gaz inflamabil. Nu supuneți bateria la o presiune extrem de scăzută a aerului, care poate duce la o explozie sau la scurgerea de lichid sau gaz inflamabil. + identifică terminalul (terminalele) pozitiv(e) al(e) echipamentului care este utilizat cu curent continuu sau care generează curent continuu. - identifică terminalul (terminalele) negativ(e) al(e) echipamentului care este utilizat cu curent continuu sau care generează curent continuu.

Prevenire incendiu

Nu trebuie plasate pe echipament surse de flacără goală, cum ar fi lumânările aprinse. Portul serial al echipamentului este utilizat doar pentru depanare.

Prevenirea Suprafețelor Fierbinți

ATENȚIE: Componente fierbinți! Degete arse la manipularea

pieselor. Așteptați o jumătate de oră după ce opriți dispozitivul, înainte de a manipula piesele. Acest autocolant indică faptul că articolele marcate pot fi

fierbinți și nu trebuie atinse fără precauție. Dacă dispozitivul are acest autocolant, înseamnă că dispozitivul este destinat instalării într-o locație cu acces restricționat, accesul poate fi obținut numai de către personalul de service sau de către utilizatorii care au fost informați cu privire la motivele restricțiilor aplicate locației și orice măsuri de precauție care trebuie luate.

Instalare

Instalați dispozitivul în conformitate cu instrucțiunile din acest manual. Pentru a preveni rănirea, acest dispozitiv trebuie să fie fixat ferm de suprafața de instalare, în conformitate cu instrucțiunile de instalare. Nu amplasați niciodată dispozitivul într-o loc instabil. Dispozitivul poate cădea, cauza vătămări corporale sau decesul. Nu instalați dispozitive pentru uz profesional în locurile unde este posibil să aibă acces copiii. Dacă dispozitivul nu este furnizat cu un adaptor de alimentare și trebuie să conectați cablurile neizolate ale dispozitivului: Cablajul extern al dispozitivului conectat la bornele sub tensiune periculoase necesită instalarea de către o persoană instruită. Asigurați-vă că, înainte de a conecta, a instala sau a dezasambla dispozitivul, acesta a fost, în prealabil, deconectat de la sursa de alimentare electrică.

Sursa de alimentare sau dispozitivul trebuie conectate la o priză de rețea cu împământare. Tensiune ridicată pentru sursa de alimentare. A nu se dezasambla. Dacă este necesar să cablați dvs. dispozitivul, selectați cablul corespunzător pentru alimentarea electrică în conformitate cu parametrii electrici specificați pe eticheta dispozitivului. Dezizolați cablul cu un dezizolator standard în poziția corespunzătoare. Pentru a evita eventuale consecințe grave, lungimea cablului dezizolat trebuie să fie corespunzătoare și conductorii nu trebuie expuși.

Alimentare electrică

Dispozitiv alimentat cu tensiune foarte joasă de siguranță (SELV): Sursa de alimentare trebuie să îndeplinească cerințele sursei de alimentare limitată sau cerințele PS2 conform standardului IEC 60950-1 sau IEC 62368-1.

Dispozitiv alimentat de tensiune de alimentare cu curent alternativ: Echipamentul trebuie conectat la o priză de rețea împământată. Un dispozitiv de deconectare adecvat, ușor accesibil, trebuie încorporat în exteriorul echipamentului. Un dispozitiv adecvat de protecție împotriva supracurentului trebuie încorporat în exteriorul echipamentului, fără a depăși specificațiile clădirii. În instalația electrică a clădirii se va încorpora un întrerupător de alimentare multipolar. Dacă dispozitivul este alimentat prin terminale conectate la cablul de alimentare, asigurați tensiunea și cablarea corectă a terminalelor pentru conectarea la o rețea de alimentare. Echipamentul a fost proiectat și, atunci când este necesar, modificat pentru conectarea la un sistem de distribuție a energiei IT.

Iluminator cu lumină albă (dacă este acceptat)

Posibilă radiație optică periculoasă emisă de acest produs. NU priviți în sursa de lumină de operare. Poate fi dăunătoare pentru ochi. Purtați protecție pentru ochi adecvată sau NU porniți lumina albă când efectuați lucrări de asamblare, instalare sau întreținere a camerei.

Transport

Păstrați dispozitivul în ambalajul original sau similar în timpul transportului.

Securitatea sistemului

Vă rugăm să înțelegeți că aveți responsabilitatea de a configura toate parolele și alte setări de securitate ale dispozitivului și de a vă păstra numele de utilizator și parola.

**WARNING
HOT SURFACE
DO NOT TOUCH**

Întreținere

În cazul în care produsul nu funcționează corect, vă rugăm să contactați dealerul sau cel mai apropiat centru de service. Nu ne asumăm nicio responsabilitate pentru problemele cauzate de reparații sau întreținere neautorizate.

Curățarea

Utilizați o cârpă moale și uscată, atunci când curățați suprafețele interioare și exterioare ale capacului produsului. Nu utilizați detergenți alcalini.

Utilizarea mediului

Când utilizați orice echipament laser, asigurați-vă că lentila dispozitivului nu este expusă la raza laser, altfel se poate arde. NU expuneți dispozitivul la radiații electromagnetice ridicate sau în medii cu praf. Pentru dispozitivul destinat exclusiv uzului la interior, amplasați-l într-un mediu uscat și bine ventilat. NU îndreptați obiectivul la soare sau la orice altă lumină strălucitoare. Asigurați-vă că mediul de funcționare îndeplinește cerințele

dispozitivului. NU amplasați camera în locații cu temperaturi extrem de ridicate, extrem de scăzute, cu praf sau umede, și nu o expuneți la radiații electromagnetice puternice.

Urgență

Dacă de la dispozitiv apar fum, miros sau zgomot, opriți imediat alimentarea, deconectați cablul de alimentare și contactați centrul de service.

Sincronizare timp

Setați ora dispozitivului manual când îl porniți pentru prima dată dacă ora locală nu este sincronizată cu cea a rețelei. Accesați dispozitivul prin intermediul browserului web/software-ului client și accesați interfața pentru setările de timp.

Reflexie

Asigurați-vă că în apropierea lentilelor dispozitivului nu există nicio suprafață reflectorizantă. Lumina IR provenită de la dispozitiv poate fi reflectată înapoi în obiectiv, cauzând reflexia.

Slovenčina

Súlad s regulačnými predpismi a bezpečnostné informácie

Pred použitím zariadenia si pozorne prečítajte všetky informácie a pokyny v tomto dokumente a uschovajte si ho na ďalšie použitie. Ďalšie informácie o zariadení a pokyny nájdete na našej webovej stránke <https://www.hikvision.com>. Ďalšie informácie získate aj z iných dokumentov (ak existujú) priložených k zariadeniu alebo naskenovaním kódu QR (ak existuje) na obale.

PRÁVNE VYHLÁSENIE O VYLÚČENÍ ZODPOVEDNOSTI

● V MAXIMÁLNO M MOŽNOM ROZSAHU, KTORÝ POVOĽUJÚ PRÍSLUŠNÉ PRÁVNE PREDPISY, SA TENTO DOKUMENT A OPÍSANÝ PRODUKT SPOLU S JEHO HARDVÉROM, SOFTVÉROM A FIRMVÉROM, DODÁVAJÚ V STAVE „AKO SÚ“ A „SO VŠETKÝMI PORUCHAMI A CHYBAMI“. SPOLOČNOSŤ HIKVISION NEPOSKYTUJE ŽIADNE VÝSLOVNÉ ANI PREDPOKLADANÉ ZÁRUKY, OKREM INÉHO VRÁTANE ZÁRUKY PREDAJNOSTI, USPOKOJIVEJ KVALITY ALEBO VHODNOSTI NA KONKRÉTNY ÚČEL. POUŽÍVANIE PRODUKTU JE NA VAŠE VLASTNÉ RIZIKO. SPOLOČNOSŤ HIKVISION V ŽIADNOM PRÍPADE NENESIE ZODPOVEDNOSŤ ZA ŽIADNE OSOBNÉ, NÁSLEDNÉ, NÁHODNÉ ALEBO NEPRIAME ŠKODY, OKREM INÉHO VRÁTANE ŠKÔD Z UŠLÉHO PODNIKATEĽSKÉHO ZISKU, PRERUŠENIA PODNIKANIA, STRATY ÚDAJOV, POŠKODENIA SYSTÉMOV ALEBO STRATY DOKUMENTÁCIE, ČI UŽ NA ZÁKLADE PORUŠENIA ZMLUVY, PREČINU (VRÁTANE NEDBALOSTI), ZODPOVEDNOSTI ZA PRODUKT ALEBO INAK V SÚVISLOSTI S POUŽÍVANÍM PRODUKTU, A TO ANI V PRÍPADE, AK BOLA SPOLOČNOSŤ HIKVISION UPOZORNENÁ NA MOŽNOSŤ TAKÝCHTO ŠKÔD.

● UZNÁVATE, ŽE POVAHA INTERNETU UMOŽŇUJE INHERENTNÉ BEZPEČNOSTNÉ RIZIKÁ A SPOLOČNOSŤ HIKVISION NENESIE ŽIADNU ZODPOVEDNOSŤ ZA NEŠTANDARDNÚ PREVÁDZKU, ÚNIK OSOBNÝCH ÚDAJOV ANI ZA INÉ ŠKODY V DÔSLEDKU KYBERNETICKÉHO ÚTOKU, HAKERSKÉHO ÚTOKU, VÍRUSOVEJ INFEKČIE ALEBO INÝCH BEZPEČNOSTNÝCH RIZÍK SIETE INTERNET; V PRÍPADE POTREBY VŠAK SPOLOČNOSŤ HIKVISION POSKYTNE VČASNÚ TECHNICKÚ PODPORU.

● SÚHLASÍTE S POUŽÍVANÍM TOHTO PRODUKTU V SÚLADE SO VŠETKÝMI PRÍSLUŠNÝMI ZÁKONMI A NESIETE VÝHRADNÚ ZODPOVEDNOSŤ ZA ZABEZPEČENIE, ABY VAŠE POUŽÍVANIE BOLO V SÚLADE S PRÍSLUŠNÝMI ZÁKONMI. STE OBZVLÁŠŤ ZODPOVEDNÍ ZA POUŽÍVANIE TOHTO PRODUKTU SPÔSOBOM, KTORÝ NEPORUŠUJE PRÁVA TRETÍCH STRÁN, OKREM INÉHO

PRÁVA PUBLICITY, PRÁVA DUŠEVNÉHO VLASTNÍCTVA, PRÁVA NA OCHRANU ÚDAJOV A INÉ PRÁVA NA OCHRANU SÚKROMIA. TENTO PRODUKT NESMIETE POUŽÍVAŤ NA ŽIADNE ZAKÁZANÉ ÚČELY VRÁTANE VÝVOJA ALEBO VÝROBY ZBRANÍ HROMADNÉHO NIČENIA, VÝVOJA ALEBO VÝROBY CHEMICKÝCH ALEBO BIOLOGICKÝCH ZBRANÍ, AKÝCHKOĽVEK AKTIVÍT V SÚVISLOSTI S AKOUKOĽVEK JADROVOU VÝBUŠNINOU ALEBO NEBEZPEČNÝM CYKLOM JADROVÉHO PALIVA, ALEBO NA PODPORU ZNEUŽÍVANIA ĽUDSKÝCH PRÁV.

● V PRÍPADE AKÉHOKOĽVEK NESÚLADU MEDZI TÝMTO DOKUMENTOM A PRÍSLUŠNÝMI PRÁVNÝMI PREDPISMI MAJÚ PREDNOSŤ PRÍSLUŠNÉ PRÁVNE PREDPISY.

Tieto ustanovenia platia len pre produkty s príslušným označením alebo údajom.

Vyhlasenie o zhode s predpismi EÚ



Tento produkt a dodané príslušenstvo, ak je to relevantné, sú takisto označené značkou „CE“, takže sú v súlade s príslušnými harmonizovanými

európskymi normami uvedenými v smernici 2014/30/EÚ (EMCD) a smernici 2011/65/EÚ (RoHS).

Poznámka: Produkty so vstupným napätím v rozsahu 50 až 1000 V striedavého prúdu alebo 75 až 1500 V jednosmerného prúdu sú v súlade so smernicou 2014/35/EÚ (LVD) a ostatné produkty sú v súlade so smernicou 2001/95/ES (GPSD). Prečítajte si informácie o konkrétnom zdroji napájania.

Úplný text vyhlásenia o súlade pre EÚ je k dispozícii na tejto internetovej adrese:

<https://www.hikvision.com/en/support/compliance/declaration-of-conformity>.



Smernica 2012/19/EÚ (smernica o odpade z elektrických a elektronických zariadení): Produkty označené týmto symbolom sa v rámci Európskej únie nesmú likvidovať spolu s netriedeným komunálnym odpadom. Po zakúpení ekvivalentného nového zariadenia

zrecyklujte produkt tým, že ho odovzdáte miestnemu dodávateľovi alebo ho zlikvidujete na určených zberných miestach. Ďalšie informácie nájdete na lokalite: www.recyclethis.info.



Smernica 2006/66/ES a príslušné doplnenia 2013/56/EÚ (smernica o batériách): Tento produkt obsahuje batériu, ktorá sa v rámci Európskej únie nesmie likvidovať spolu s netriedeným komunálnym odpadom. Konkrétne informácie o batérii nájdete v dokumentácii produktu. Batéria je označená týmto symbolom, ktorý môže obsahovať písmená označujúce obsah kadmia (Cd), olova (Pb) alebo ortuti (Hg). Zrecyklujte batériu tým, že ju odovzdáte dodávateľovi alebo ju zlikvidujete na určenom zbernom mieste. Ďalšie informácie nájdete na lokalite: www.recyclethis.info.

Bezpečnostné pokyny

Tieto pokyny slúžia na zabezpečenie správneho použitia produktu používateľom s cieľom predchádzať vzniku nebezpečenstva alebo majetkovým stratám.

Právne predpisy a nariadenia

Zariadenie by sa malo používať v súlade s miestnymi zákonmi, predpismi o elektrickej bezpečnosti a protipožiarnymi predpismi.

Elektrické požiadavky

Pri používaní produktu je potrebné, aby ste dôsledne dodržiavali elektroinštaláčne bezpečnostné predpisy platné na celoštátnej a regionálnej úrovni. Zariadenie nesmie byť vystavené kvapkajúcim ani striekajúcim kvapalinám a na zariadenie sa nesmú umiestňovať žiadne predmety naplnené kvapalinou, napríklad vázy.

V nezvyčajných podmienkach, napríklad na vrchole hory, na kovovej veži alebo v lese, zabezpečte vstupný otvor zariadenia ochranou proti prepätiu. POZOR: Ak je možné vymeniť poistku zariadenia, vymeňte ju iba za rovnaký model, aby ste znížili riziko požiaru alebo úrazu elektrickým prúdom. Nedotýkajte sa odkrytých komponentov (ako sú kovové kontakty prívodov) a počkajte aspoň 5 minút, pretože po vypnutí zariadenia môže byť stále prítomná elektrina. V prípade zariadenia, ktoré sa zapína a vypína len pomocou sieťovej zástrčky a zásuvky, musí byť zásuvka nainštalovaná v blízkosti zariadenia a ľahko prístupná.

Batéria

Zabráňte prehltnutiu batérie. Nebezpečenstvo chemických popálenín! Tento produkt obsahuje plochú/gombíkovú batériu. V prípade prehltnutia plochej/gombíkovej batérie môže dôjsť k vážnym vnútorným popáleninám už v priebehu 2 hodín, ktoré môžu spôsobiť smrť. Nové a použité batérie uchovajte mimo dosahu detí. Ak sa priečinok batérie nedá bezpečne zavrieť, prestaňte produkt používať a uchovajte ho mimo dosahu detí. Ak si myslíte, že mohlo dôjsť k prehltnutiu batérií alebo ich vloženiu do akejkoľvek časti tela, okamžite vyhľadajte lekársku pomoc. POZOR: Riziko výbuchu v prípade výmeny batérie za nesprávny typ. Použité batérie zlikvidujte podľa príslušných pokynov. Pri nevhodnej výmene batérie za nesprávny typ sa môže deaktivovať bezpečnostný prvok (napríklad pri niektorých typoch lítiových batérií). Batériu nekladajte do ohňa alebo horúcej rúry ani ju mechanicky nedrhte ani nerežte, pretože by to mohlo spôsobiť výbuch. Batériu nenechávajte v prostredí s mimoriadne vysokou teplotou, čo môže viesť k výbuchu alebo úniku horľavých kvapalín alebo plynov. Batériu nevystavujte mimoriadne nízkemu tlaku vzduchu, čo môže viesť k výbuchu alebo úniku horľavých kvapalín alebo plynov. + označuje koncovky s kladnou polaritou v prípade zariadenia, s ktorým sa používa alebo ktoré vytvára jednosmerný prúd. – označuje koncovky so zápornou polaritou v prípade zariadenia, s ktorým sa používa alebo ktoré vytvára jednosmerný prúd.

Predchádzanie požiarom

Na zariadenie sa nesmú umiestňovať žiadne zdroje otvoreného ohňa, napríklad zapálené sviečky. Sériový port na zariadení slúži

len na servisné účely.

Prevenia pred horúcimi povrchmi

POZOR: Horúce súčasti! Pri manipulácii so súčastami si môžete



popáliť prsty. Pred manipuláciou so súčastami počkajte pol hodiny po vypnutí zariadenia. Táto nálepka indikuje, že označená položka môže byť

horúca a mali by ste sa jej dotýkať opatrne. Zariadenie s touto nálepkou je určené na inštaláciu na mieste s obmedzeným prístupom, prístup je možné udeliť len zamestnancom servisu alebo používateľom, ktorí boli poučení o dôvodoch obmedzenia prístupu na dané miesto a o všetkých bezpečnostných opatreniach, ktoré musia dodržať.

Inštalácia

Zariadenie namontujte podľa pokynov v tejto príručke. Aby sa predišlo zraneniu, musí byť zariadenie bezpečne pripevnené k inštaláčnemu povrchu podľa inštaláčnych pokynov. Nikdy neumiestňujte zariadenie na nestabilné miesto. Zariadenie môže spadnúť, v dôsledku čoho môže dôjsť k vážnemu zraneniu alebo usmrteniu. Zariadenia na profesionálne použitie neinštalujte na miestach, kde sa môžu vyskytovať deti.

Ak zariadenie nie je odpojené cez napájací adaptér a potrebujete pripojiť holé vodiče zariadenia: Externá kabeláž zariadenia pripojená k nebezpečným svorkám pod prúdom vyžaduje inštaláciu poučenou osobou. Pred pripájaním, inštaláciou alebo demontážou zariadenia sa uistite, že je odpojené napájanie. Zdroj napájania alebo zariadenie musia byť pripojené k uzemnenej sieťovej zásuvke. Vysoké napätie pre zdroj napájania. Nerozoberajte ho. Ak zariadenie musíte pripojiť sami, vyberte príslušný kábel na napájanie podľa elektrických parametrov uvedených na zariadení. Odizolujte kábel pomocou štandardného odstraňovača izolácie káblov na príslušnom mieste. Aby sa predišlo vážnym následkom, dĺžka odizolovaného kábla musí byť primeraná a vodiče nesmú byť odkryté.

Zdroj napájania

Na napájanie zariadenia sa používa bezpečné veľmi nízke napätie (SELV): Zdroj napájania by mal spĺňať požiadavky obmedzeného zdroja napájania alebo PS2 podľa normy IEC 60950-1 alebo IEC 62368-1.

Na napájanie zariadenia sa používa sieťové striedavé napätie: Zariadenie musí byť pripojené k uzemnenej sieťovej zásuvke. Súčasťou výbavy musí byť ľahko dostupné externé zariadenie na odpojenie. Externé zariadenie musí byť vybavené vhodným nadprúdovým ochranným zariadením, ktoré nepresahuje technické parametre budovy. Do elektrickej inštalácie budovy musí byť zabudovaný sieťový vypínač všetkých pólov. Ak je zariadenie napájané zo svoriek pripojených k napájacímu káblu, zaistíte správne napätie a zapojenie svoriek na pripojenie k elektrickej sieti. Zariadenie bolo navrhnuté tak, aby sa v prípade potreby dalo upraviť na pripojenie k IT systému rozvodu napájania.

Osvetlenie bielym svetlom (ak je podporované)

Tento výrobok môže vyžarovať nebezpečné optické žiarenie. NEPOZERAJTE sa do zapnutého zdroja svetla. Môže to poškodiť zrak. Pri montáži, inštalácii alebo údržbe kamery používajte vhodnú ochranu zraku alebo NEZAPÍNAJTE biele svetlo.

Preprava

Pri preprave ponechajte zariadenie v pôvodnom alebo podobnom balení.

Zabezpečenie systému

Upozorňujeme, že ste zodpovední za konfiguráciu všetkých hesiel a ďalších bezpečnostných nastavení zariadenia a za uchovanie

používateľského mena a hesla.

Údržba

Ak produkt nepracuje správne, obráťte sa na predajcu alebo na najbližšie servisné stredisko. Nepreberáme žiadnu zodpovednosť za problémy spôsobené neoprávnenou opravou alebo údržbou.

Čistenie

Pri čistení vnútorných a vonkajších povrchov krytu zariadenia používajte jemnú a suchú handričku. Nepoužívajte alkalické saponáty.

Prevádzkové prostredie

Pri používaní akéhokoľvek laserového vybavenia zabezpečte, aby objektív zariadenia nebol vystavený laserovému lúču, inak sa môže vypáliť. Zariadenie NEVYSTAVUJTE silnému elektromagnetickému žiareniu ani prašnému prostrediu. V prípade zariadenia určeného iba do interiéru ho umiestnite do suchého a dobre vetraného prostredia. Šošovkou NEMIERTE na slnko ani na žiadny iný silný zdroj svetla. Zabezpečte, aby prevádzkové prostredie spĺňalo

požiadavky zariadenia. NEUMIESTŇUJTE kameru na extrémne horúce, chladné, prašné alebo vlhké miesta a nevystavujte ju silnému elektromagnetickému žiareniu.

Núdzový režim

Ak zo zdroja napájania alebo zo zariadenia vychádza dym, zápach alebo hluk, ihneď vypnite napájanie, odpojte napájací kábel a obráťte sa na servisné stredisko.

Synchronizácia času

Ak lokálny čas nie je synchronizovaný s časom siete, nastavte čas zariadenia pre prvý prístup manuálne. Zobrazte zariadenie vo webovom prehliadači/ klientskom softvéri a prejdite do rozhrania nastavenia času.

Zrkadlenie

Uistite sa, že príliš blízko k objektívu zariadenia nie je žiadny reflexný povrch. Infračervené svetlo zo zariadenia sa môže odraziť späť do objektívu a spôsobiť zrkadlenie.

Bahasa Indonesia

Kepatuhan terhadap Peraturan dan Informasi Keselamatan

Baca semua informasi dan petunjuk dalam dokumen ini secara cermat sebelum menggunakan perangkat dan simpan jika sewaktu-waktu dibutuhkan.

Untuk informasi dan petunjuk lain tentang perangkat, kunjungi situs web kami di <https://www.hikvision.com>. Lihat dokumen lain (jika ada) yang menyertai perangkat atau pindai kode QR (jika ada) pada kemasan untuk memperoleh informasi lain.

PENAFIAN HUKUM

- SEPANJANG DIPERBOLEHKAN OLEH PERATURAN YANG BERLAKU, DOKUMEN INI DAN PRODUK YANG DIJELASKAN, BERSERTA PERANGKAT KERAS, PERANGKAT LUNAK, DAN FIRMWARE, DISEDIAKAN "SEPERTI ADANYA" DAN "DENGAN SEMUA CACAT DAN KESALAHAN". HIKVISION TIDAK MEMBERIKAN JAMINAN TERSURAT ATAUPUN TERSIRAT, TERMASUK TIDAK TERBATAS PADA, JAMINAN KOMERSIAL, KUALITAS MEMUASKAN, ATAUPUN KECOCOKAN UNTUK TUJUAN TERTENTU. PENGGUNAAN PRODUK OLEH ANDA ADALAH ATAS RISIKO ANDA SENDIRI. DALAM SEGALA HAL, HIKVISION TIDAK BERTANGGUNG JAWAB KEPADA ANDA ATAS KERUSAKAN KHUSUS, IKUTAN, INSIDENTIL, ATAU TIDAK LANGSUNG, TERMASUK, ANTARA LAIN, KERUGIAN AKIBAT HILANGNYA LABA USAHA, TERGANGGUNYA USAHA, ATAU HILANGNYA DATA, KERUSAKAN SISTEM, ATAU HILANGNYA DOKUMEN, BAIK BERDASARKAN PELANGGARAN ATAS KONTRAK, TINDAKAN MELAWAN HUKUM (TERMASUK KELALAIAN), KEWAJIBAN PRODUK, ATAU LAINNYA, TERKAIT PENGGUNAAN PERANGKAT LUNAK, MESKIPUN HIKVISION SUDAH DIBERITAHU ADANYA POTENSI KERUSAKAN ATAU KERUGIAN SEMACAM ITU.
- ANDA MENGAKUI BAHWA SIFAT INTERNET MENGHADIRKAN RISIKO KEAMANAN TIDAK TERLIHAT, DAN HIKVISION TIDAK BERTANGGUNG JAWAB ATAS ABNORMALITAS PENGOPERASIAN, KEBOCORAN PRIVASI, ATAU KERUSAKAN LAIN AKIBAT SERANGAN SIBER, SERANGAN PERETAS, INFEKSI VIRUS, DAN RISIKO KEAMANAN INTERNET LAINNYA; AKAN TETAPI, HIKVISION AKAN MENYEDIAKAN DUKUNGAN TEKNIS SECARA BERKALA JIKA DIBUTUHKAN.
- ANDA SETUJU UNTUK MENGGUNAKAN PRODUK INI DENGAN MEMATUHI SEMUA PERATURAN YANG BERLAKU DAN ANDA SECARA PRIBADI BERTANGGUNG JAWAB MEMASTIKAN PENGGUNAAN OLEH ANDA MEMATUHI PERATURAN YANG

BERLAKU. SECARA KHUSUS, ANDA BERTANGGUNG JAWAB MENGGUNAKAN PRODUK DENGAN CARA YANG TIDAK MELANGGAR HAK-HAK PIHAK KETIGA, TERMASUK TANPA BATASAN PADA, HAK PUBLISITAS, HAK KEKAYAAN INTELEKTUAL, ATAU PERLINDUNGAN DATA DAN HAK PRIVASI LAINNYA. ANDA DILARANG MENGGUNAKAN PRODUK UNTUK PENGGUNAAN AKHIR YANG DILARANG, TERMASUK PENGEMBANGAN ATAU PRODUKSI SENJATA PEMUSNAH MASSAL, PENGEMBANGAN ATAU PRODUKSI SENJATA KIMIA ATAU BIOLOGIS, AKTIVITAS YANG BERHUBUNGAN DENGAN BAHAN PELEDAK NUKLIR ATAU DAUR BAHAN BAKAR NUKLIR SECARA TIDAK AMAN ATAU UNTUK MENDUKUNG PELANGGARAN HAK ASASI MANUSIA.

- JIKA TERJADI PERTENTANGAN ANTARA DOKUMEN INI DAN PERATURAN YANG BERLAKU, MAKA YANG BERLAKU ADALAH PERATURAN TERSEBUT.

Klausul ini hanya berlaku untuk produk yang memuat tanda atau informasi yang sesuai.

Pernyataan Kepatuhan UE



Produk ini dan, jika berlaku, juga aksesori yang disediakan mencantumkan tanda "CE" dan oleh karena itu mematuhi standar Eropa yang

diharmonisasi dan berlaku berdasarkan Direktif 2014/30/UE (EMCD) dan Direktif 2011/65/UE (RoHS).

Catatan: Produk dengan voltase masukan dalam rentang 50 hingga 1000 VAC atau 75 hingga 1500 VDC mematuhi Direktif 2014/35/UE (LVD), sementara produk lainnya mematuhi Direktif 2001/95/EC (GPSD). Harap memeriksa informasi catu daya spesifik sebagai referensi.

Teks lengkap pernyataan kesesuaian UE ini dapat ditemukan pada alamat internet berikut:

<https://www.hikvision.com/en/support/compliance/declaration-of-conformity>.



Direktif 2012/19/EU (WEEE Direktif): Produk yang bertanda simbol ini tidak boleh dibuang sebagai sampah umum yang tidak disortir di wilayah Uni Eropa. Agar dapat didaur ulang sesuai ketentuan,

kembalikan produk ini ke toko terdekat saat Anda membeli peralatan pengganti yang baru, atau buang pada titik pengumpulan yang ditentukan. Untuk informasi lebih lengkap, kunjungi: www.recyclethis.info.



Direktif 2006/66/EC dan amendemennya 2013/56/EU (Baterai Direktif): Produk ini berisi baterai yang tidak boleh dibuang sebagai sampah umum yang tidak disortir di wilayah Uni Eropa. Lihat dokumentasi produk

untuk informasi spesifik tentang baterai. Baterai ini ditandai dengan simbol ini, yang mungkin disertai huruf untuk menandakan kadmium (Cd), timbal (Pb), atau merkuri (Hg). Agar dapat didaur ulang sesuai ketentuan, kembalikan baterai ke toko atau titik pengumpulan yang ditentukan. Untuk informasi lebih lengkap, kunjungi: www.recyclethis.info.

Petunjuk Keselamatan

Instruksi ini ditujukan untuk memastikan pengguna dapat menggunakan produk dengan benar dan menghindari bahaya atau kerugian materiil.

Undang-Undang dan Peraturan

Perangkat harus digunakan sesuai dengan undang-undang setempat, peraturan keselamatan kelistrikan, dan peraturan terkait pencegahan kebakaran.

Kelistrikan

Selama menggunakan produk ini, Anda harus sepenuhnya mematuhi peraturan keselamatan kelistrikan dari pemerintah. Lindungi peralatan dari tetesan atau cipratan dan jangan menaruh benda berisi cairan, misalnya vas, di atas peralatan. Sediakan penekan lonjakan pada bukaan inlet peralatan dalam kondisi khusus, seperti puncak gunung, menara besi, dan hutan.

PERHATIAN: Jika sekering perangkat dapat diganti, dengan sekering dengan model yang sama untuk mengurangi risiko kebakaran atau tersengat listrik. Jangan menyentuh komponen yang terbuka (seperti kotak logam pada inlet) dan tunggu setidaknya 5 menit, karena arus listrik mungkin masih tersisa setelah perangkat dimatikan. Untuk perangkat yang dinyalakan dan dimatikan hanya dengan steker dan stopkontak listrik, maka stopkontak harus dipasang di dekat perangkat serta harus mudah diakses.

Baterai

Jangan menelan baterai. Bahaya Luka Bakar Kimia! Produk ini menggunakan baterai sel berbentuk koin/kancing. Baterai sel koin/kancing, jika tertelan, dapat menyebabkan luka bakar internal serius hanya dalam waktu 2 jam dan dapat mengakibatkan kematian. Simpan baterai baru dan bekas jauh dari jangkauan anak-anak. Jika kompartemen baterai tidak dapat ditutup sempurna, hentikan penggunaan produk dan jauhkan dari jangkauan anak-anak. Jika Anda curiga baterai telah tertelan atau memasuki bagian tubuh mana pun, segera hubungi dokter.

PERHATIAN: Risiko ledakan jika baterai diganti dengan jenis yang salah. Buang baterai bekas sesuai petunjuk. Penggantian baterai yang tidak tepat dengan baterai dari jenis yang salah dapat memengaruhi keamanan (misalnya, untuk beberapa jenis baterai litium). Jangan membuang baterai ke dalam api atau oven panas, atau menghancurkan atau memotongnya secara mekanis, karena dapat menyebabkan ledakan. Jangan meletakkan baterai di lingkungan yang bersuhu sangat tinggi, karena dapat menyebabkan ledakan atau kebocoran cairan atau gas yang mudah terbakar. Jangan membiarkan baterai terpapar tekanan udara yang sangat rendah, karena dapat menyebabkan ledakan atau kebocoran cairan atau gas yang mudah terbakar. + menandai terminal positif peralatan yang digunakan dengan, atau menghasilkan arus searah. - menandai terminal negatif peralatan yang digunakan dengan, atau menghasilkan arus searah.

Pencegahan Kebakaran

Jangan menempatkan sumber nyala terbuka, misalnya lilin, di atas peralatan. Gunakan port seri peralatan untuk debugging saja.

Pencegahan Permukaan Panas

PERHATIAN: Komponen panas! Jari terbakar saat menangani komponen. Tunggu satu setengah jam setelah peralatan dimatikan sebelum menangani komponen. Stiker ini untuk mengindikasikan bahwa item yang ditandai bisa menjadi panas dan tidak boleh disentuh tanpa waktu pendinginan. Untuk perangkat dengan stiker ini, perangkat ini dimaksudkan untuk pemasangan di lokasi dengan akses terbatas, akses hanya dapat dicapai oleh petugas layanan atau oleh pengguna yang telah diberitahu tentang alasan penerapan pembatasan terhadap lokasi dan tentang segala tindakan pencegahan yang harus diambil.

Pemasangan

Pasang perangkat sesuai petunjuk di dalam manual ini. Untuk mencegah cedera, pasang perangkat ini dengan erat ke permukaan pemasangan sesuai petunjuk pemasangan. Jangan pernah menempatkan perangkat ini di lokasi yang tidak stabil. Perangkat dapat terjatuh dan menyebabkan cedera serius hingga kematian. Jangan memasang perangkat untuk penggunaan profesional di lokasi yang sering dilalui oleh anak-anak. Jika perangkat tidak dirilis bersama adaptor daya, dan Anda perlu menghubungkan kabel telanjang (tanpa pelindung) perangkat: Penyambungan eksternal perangkat yang terhubung ke terminal langsung (yang berbahaya) harus diinstalasi oleh orang yang ahli. Pastikan aliran daya dimatikan sebelum Anda menyambung, memasang, atau membongkar perangkat. Pasokan daya atau perangkat harus dihubungkan ke soket-steker utama yang diarde. Tegangan tinggi untuk pasokan daya. Jangan membongkarnya. Jika perangkat memerlukan pengkabelan yang Anda lakukan sendiri, pilih kabel yang sesuai untuk menyuplai daya sesuai parameter listrik yang tertera pada perangkat. Lepas selubung kabel dengan alat pelucut kabel standar pada posisi yang sesuai. Untuk menghindari dampak yang parah, panjang kawat yang dikelupas harus sesuai, dan konduktor tidak boleh terbuka.

Catu Daya

Perangkat menggunakan daya dari Voltase Ekstra Rendah Aman (SELV): Sumber daya harus memenuhi ketentuan sumber daya terbatas atau PS2 menurut standar IEC 60950-1 atau IEC 62368-1. Perangkat menggunakan daya dari voltase catu daya listrik AC: Peralatan wajib dihubungkan ke lubang stopkontak listrik yang dibumikan. Lengkapi peralatan dengan perangkat eksternal pemutus arus yang sesuai dan mudah dijangkau. Perangkat pelindung arus berlebih yang sesuai harus dipasang di luar peralatan dengan tidak melebihi spesifikasi bangunan. Gunakan sakelar listrik semua kutub dalam instalasi kelistrikan gedung. Jika perangkat dihubungkan ke terminal oleh kabel daya, pastikan tegangan dan pengkabelan terminal sambungan ke catu daya sudah benar. Peralatan ini dirancang, dan jika perlu, dimodifikasi untuk disambungkan ke sistem distribusi daya IT.

Illuminator Cahaya Putih (Jika didukung)

Radiasi optik yang mungkin berbahaya dipancarkan oleh produk ini. **JANGAN** memandang sumber cahaya yang menyala. Dapat membahayakan mata. Kenakan perlindungan mata yang baik atau **JANGAN** menghidupkan cahaya putih saat Anda merakit, memasang, atau merawat kamera.

Transportasi

Kemas perangkat dalam kemasan aslinya atau yang serupa saat memindahkannya.

Keamanan Sistem

Harap dipahami bahwa Anda bertanggung jawab untuk



mengkonfigurasi semua kata sandi dan setelan keamanan lainnya terkait perangkat, serta menyimpan nama pengguna dan kata sandi Anda.

Pemeliharaan

Jika produk tidak berfungsi dengan baik, hubungi dealer atau pusat servis terdekat. Kami tidak bertanggung jawab atas masalah yang disebabkan oleh perbaikan atau perawatan yang tidak resmi.

Pembersihan

Gunakan kain yang lembut dan kering saat membersihkan permukaan bagian dalam dan luar dari penutup produk. Dilarang menggunakan detergen alkalin.

Lingkungan Penggunaan

Saat ada perangkat laser yang sedang digunakan, pastikan lensa perangkat tidak terpapar sorotan laser, karena bisa terbakar. JANGAN membiarkan perangkat terpapar radiasi elektromagnetik atau lingkungan yang berdebu. Untuk perangkat khusus dalam ruangan, tempatkan dalam ruangan yang kering dan berventilasi baik. JANGAN mengarahkan lensa ke matahari atau cahaya terang

lainnya. Pastikan lingkungan tempat beroperasi memenuhi ketentuan perangkat. JANGAN menempatkan kamera di lokasi yang sangat panas, dingin, berdebu, atau lembap, dan jangan paparkan terhadap radiasi elektromagnetik tinggi.

Darurat

Jika muncul asap, bau, atau derau dari perangkat, segera matikan perangkat, cabut kabel daya, dan hubungi pusat servis.

SINKRONISASI WAKTU

Setel waktu perangkat secara manual untuk akses pertama kali jika waktu setempat tidak sinkron dengan waktu jaringan. Kunjungi perangkat via penelusuran Web/perangkat lunak klien dan buka antarmuka pengaturan waktu.

Pantulan

Pastikan tidak ada permukaan reflektif yang terlalu dekat dengan lensa. Cahaya IR dari perangkat dapat memantul kembali ke lensa dan menyebabkan refleksi.



စည်းမျဉ်းစည်းကမ်း လိုက်နာရန်နှင့် ဘေးကင်းရေး အချက်အလက်

စက်ကိုအသုံးမပြုမီ ဤစာရွက်စာတမ်းရှိ အချက်အလက်နှင့် ညွှန်ကြားချက်အားလုံးကို သေချာဖတ်ပြီး နောင်တွင် ကိုးကားရန်အတွက် သိမ်းဆည်းထားပါ။
စက်ဆိုင်ရာ အချက်အလက်နှင့် ညွှန်ကြားချက်များကို ပိုမိုသိရှိလိုပါက၊ ကျွန်ုပ်တို့၏ ဝက်ဘ်ဆိုက်ဖြစ်သော <https://www.hikvision.com> သို့ ဝင်ရောက်ကြည့်ရှုပါ။ စက်နှင့်အတူပါရှိသော အခြားစာရွက်စာတမ်းများ (ရှိပါက) ကိုလည်း ကိုးကားနိုင်သည့် သို့မဟုတ် အချက်အလက်ပိုမိုရရှိရန် ထုပ်ပိုးမှုတွင် QR ကုဒ် (ရှိပါက) စကန်ဖတ်နိုင်ပါသည်။

ဥပဒေကြောင်းဆိုင်ရာ ဖော်ထုတ်ချက်

● တည်ဆဲ ဥပဒေအရ အမြင့်ဆုံး ခွင့်ပြုထားသည့် အတိုင်းအတာ အထိ ဤစာရွက်စာတမ်းနှင့် ဖော်ပြထားသော ထုတ်ကုန်ကို ယင်း၏ ဟုဒ်ဝဲ၊ ဆော့ဖ်ဝဲ၊ နှင့် ဖမ်းဝဲ များနှင့်အတူ “ရှိသည့်အတိုင်း” နှင့် “ချို့ယွင်းချက်များနှင့် အမှားများနှင့်” ပေးထားသည်။ HIKVISION သည် ကန့်သတ်မှု၊ ကုန်သွယ်နိုင်စွမ်း၊ ကျေနပ်လောက်ဖွယ် အရည်အသွေး၊ သို့မဟုတ် သီးခြားရည်ရွယ်ချက် တစ်စုံတစ်ခုအတွက် ကြံ့ခိုင်မှုများ မရှိခြင်း အပါအဝင် မည်သည့် အာမခံချက်များကို အတိအလင်း ဖြစ်စေ သွယ်ဝိုက်၍ ဖြစ်စေ ပေးထားခြင်း မရှိပါ။
ကုန်ပစ္စည်းအား အသုံးပြုပါက သင့်ဘာသာသင် တာဝန်ယူ ရမည်။ မည်သည့်အခြေအနေတွင်မဆို စာချုပ်ချိုးဖောက်မှုကြောင့်ဖြစ်စေ၊ အကျိုးပျက်စီး၍ဖြစ်စေ (ပေါ့လျော့မှု အပါအဝင်)၊ ထုတ်ကုန်ပစ္စည်း ပြဿနာ ကြောင့်ဖြစ်စေ၊ သို့မဟုတ်ပါက ဤထုတ်ကုန်ပစ္စည်းအား အသုံးပြုမှုကြောင့် ဖြစ်စေ စီးပွားရေးလုပ်ငန်း အကျိုးအမြတ် ဆုံးရှုံးမှု သို့မဟုတ် အချက်အလက် ဆုံးရှုံးမှု၊ စနစ်များ ယိုယွင်းပျက်စီးမှု သို့မဟုတ် စာရွက်စာတမ်း ပျက်စီး ပျောက်ဆုံးမှုကြောင့် ထိခိုက်မှုများ အပါအဝင် အထူးတလည်၊ အကျိုးဆက်စပ်၍၊ မတော်တဆ သို့မဟုတ် တိုက်ရိုက် ထိခိုက်မှုများအတွက် ထိုထိခိုက်မှု သို့မဟုတ် ဆုံးရှုံးမှုများအကြောင်း HIKVISION အား အကြံပြု အသိပေးပြီး

ဖြစ်စေကာမူ HIKVISION မှ တာဝန်ယူမည် မဟုတ်ပါ။
● အင်တာနက် သဘောသဘာဝအရ တည်ရှိဆဲ လုံခြုံရေး ဘေးအန္တရာယ်များ ပေးနိုင်သည်ကို သင် အသိအမှတ်ပြုပြီး ပုံမှန်မဟုတ်သော လုပ်ငန်းလည်ပတ်မှု၊ ပုဂ္ဂိုလ်ရေးဆိုင်ရာ အချက်အလက် ပေါက်ကြားမှု သို့မဟုတ် ဆိုင်ဘာ တိုက်ခိုက်မှုများ၊ ဟက်ကာ တိုက်ခိုက်မှုများ၊ ဗိုင်းရပ်စ် ကူးစက်မှု သို့မဟုတ် အခြား အင်တာနက် လုံခြုံရေး အန္တရာယ်များ၏ ရလဒ်အဖြစ် ဖြစ်ပေါ်လာသော အခြားပျက်စီးမှုများ၊ အပေါ် HIKVISION သည် တာဝန်ယူလိမ့်မည်မဟုတ်ပါ။ သို့ရာတွင် HIKVISION သည် လိုအပ်ပါက နည်းပညာပံ့ပိုးမှုကို အချိန်နှင့် တစ်ပြေးညီပေးသွားမည်။
● သင်သည် အကျိုးဝင်သော ဥပဒေများနှင့် အညီ ဤကုန်ပစ္စည်းကို အသုံးပြုရန် သဘောတူညီပြီး သင်၏ အသုံးပြုမှုသည် အကျိုးဝင်သော ဥပဒေနှင့် ကိုက်ညီစေရန် သင်က လုံးဝ တာဝန်ခံရမည် ဖြစ်သည်။ အထူးသဖြင့် သင်သည် ဤကုန်ပစ္စည်းကို အသုံးပြုရာတွင် အများပြည်သူ၏ အခွင့်အရေးများ၊ အသိပညာ ပိုင်ဆိုင်မှု အခွင့်အရေးများ သို့မဟုတ် အချက်အလက် ကာကွယ်ရေး နှင့် အခြား ပုဂ္ဂိုလ်ရေး ဆိုင်ရာ အချက်အလက် လုံခြုံမှု အခွင့်အရေးများ အပါအဝင် ဖြစ်သော်လည်း ယင်းတို့သာ အကန့်အသတ်မဟုတ်ဘဲ အပြင်အပ လူပုဂ္ဂိုလ် များ၏ အခွင့်အရေးများကို ချိုးဖောက်သော ပုံစံဖြင့် အသုံးပြုခြင်း မပြုရန် သင့်တွင် တာဝန်ရှိသည်။ လူ့အစုအပြုံလိုက် သေကြေပျက်စီးစေနိုင်သော လက်နက်များ တီထွင် ဖန်တီးခြင်း သို့မဟုတ် ထုတ်လုပ်ခြင်း၊ ဓာတု သို့မဟုတ် ဇီဝ လက်နက်များ တီထွင်ဖန်တီးခြင်း သို့မဟုတ် ထုတ်လုပ်ခြင်း၊ မည်သည့် ပေါက်ကွဲစေတတ်သော နူးကလီးယား လက်နက် သို့မဟုတ် ဘေးကင်းလုံခြုံမှု မရှိသော နူးကလီးယား လောင်စာ သံသရာတို့နှင့် သက်ဆိုင်သော အခြေအနေတွင် သို့မဟုတ် လူ့အခွင့်အရေး ချိုးဖောက်မှုကို ပံ့ပိုးသော လုပ်ဆောင်မှု တစ်စုံတရာ တို့ အပါအဝင် မည်သည့် အဆုံးသတ် အသုံးပြုမှု အတွက်ကိုမဆို သင်သည်

ဤကုန်ပစ္စည်းကို အသုံးပြုခြင်း မပြုရပါ။

- ဤစာရွက်စာတမ်းနှင့် တည်ဆဲ ဥပဒေအကြား ကွဲပြားခြားနားမှု တစ်ခုခုရှိလာခဲ့ပါက ဥပဒေက အတည်ဖြစ်သည်။

ဤအပိုဒ်များသည် သက်ဆိုင်ရာ အမှတ်အသား သို့မဟုတ် အချက်အလက်များ ပါရှိသော ထုတ်ကုန်များနှင့်သာ သက်ဆိုင်ပါသည်။

EU လိုက်နာရန် ထုတ်ပြန်ချက်



ဤထုတ်ကုန် နှင့် - သက်ဆိုင်ပါက- ထည့်သွင်းပါရှိသော အပိုပစ္စည်းများမှာလည်း "CE" အမှတ်အသား ပါရှိသည်။ သို့ဖြစ်ရာ 2014/30/EU (EMCD) လမ်းညွှန်ချက် နှင့် 2011/65/EU (RoHS) တို့အောက်ရှိ စာရင်း ပြုစုထားသော သက်ဆိုင်ရာ ဟန်ချက်ညီသော ဥပဒေပ စံချိန်စံညွှန်းများနှင့် ကိုက်ညီသည်။ မှတ်ချက်- 50 မှ 1000 VAC အတွင်း သို့မဟုတ် 75 မှ 1500 VDC အတွင်း အဝင်ဗို့အားရှိသော ထုတ်ကုန်များသည် လမ်းညွှန်ချက် 2014/35/EU (LVD) နှင့် ကိုက်ညီပြီး ကျန်ထုတ်ကုန်များသည် လမ်းညွှန်ချက် 2001/95/EC (GPSD) နှင့် ကိုက်ညီပါသည်။ သတ်မှတ်ထားသော ပါဝါ ပေးသွင်းမှု အချက်အလက်ကို ကိုးကားချက်များအတွက် ကျေးဇူးပြု၍ စိစစ်ပါ။ EU ထုံးတမ်းစဉ်လာ ကြေငြာစာတမ်း စာသားအပြည့်အစုံကို အောက်ပါအင်တာနက်လိပ်စာတွင် ရရှိနိုင်ပါသည်-

<https://www.hikvision.com/en/support/compliance/declaration-of-conformity> တွင်ကြည့်ပါ။



2012/19/EU ညွှန်ကြားချက် (WEEE ညွှန်ကြားချက်)- ဤသင်္ကေတ ကပ်ထားသည့် ထုတ်ကုန်များကို ဥပဒေပမာဏအတွင်း ရောနှောစည်ပင်အမှိုက်အနေဖြင့် စွန့်ပစ်နိုင်ခြင်း မရှိပါ။ သေချာစွာ ရီဆိုင်ကယ်လုပ်ရန်အတွက် ဤထုတ်ကုန်ပစ္စည်းကို အလားတူ ပစ္စည်းအသစ်တစ်ခု ဝယ်ယူချိန်တွင် သင့်နယ်ခံ ပစ္စည်းရောင်းချသူထံ ပြန်ပေးပါ သို့မဟုတ် သတ်မှတ်ထားသည့် ပစ္စည်းရောင်းချဆောင်ရွက်ပေးသော နေရာများ၌ စွန့်ပစ်ပါ။ ပိုမိုသိရှိလိုပါက www.recyclethis.info တွင်ကြည့်ပါ။



2006/66/EC ညွှန်ကြားချက်နှင့် ၎င်း၏ ပြင်ဆင်ဖြည့်စွက်ချက် 2013/56/EU (ဘက်ထရီဆိုင်ရာ ညွှန်ကြားချက်)- ဤထုတ်ကုန်ပစ္စည်းတွင် ဥပဒေပမာဏအတွင်း ရောနှော စည်ပင်အမှိုက်အနေဖြင့် စွန့်ပစ်နိုင်ခြင်း မရှိသည့် ဘက်ထရီ တစ်လုံး ပါဝင်နေပါသည်။ ဘက်ထရီအတွက် သီးသန့်အချက် အလက်များကို ထုတ်ကုန်ပစ္စည်းပါ စာရွက်စာတမ်းများ၌ ကြည့်ပါ။ ဤဘက်ထရီကို ကတ်ဒီယမ် (Cd)၊ ခဲ (Pb) သို့မဟုတ် ပြဒါး (Hg) ဟု ညွှန်ပြမည့် စွန့်ပစ်ခြင်းပါဝင်နိုင်ကြောင်း ဤသင်္ကေတဖြင့် မှတ်သားထားပါသည်။ သေချာစွာ ရီဆိုင်ကယ်လုပ်ရန်အတွက် ဤဘက်ထရီကို သင့်နယ်ခံ ပစ္စည်း ရောင်းချသူထံ ပြန်ပေးပါ သို့မဟုတ် သတ်မှတ်ထားသည့် စုဆောင်းသော နေရာ၌ စွန့်ပစ်ပါ။ ပိုမိုသိရှိလိုပါက www.recyclethis.info တွင်ကြည့်ပါ။

ဘေးကင်းလုံခြုံရေးဆိုင်ရာ ညွှန်ကြားချက်

ဤလမ်းညွှန်ချက်များသည် သုံးစွဲသူအနေဖြင့် ကုန်ပစ္စည်းကို မှန်ကန်စွာ သုံးစွဲပြီး ဘေးအန္တရာယ်နှင့် ပိုင်ဆိုင်မှု ဆုံးရှုံးခြင်းများကို ကာကွယ်နိုင်ရန် အာမခံချက်ရှိစေရန် ရည်ရွယ်ပါသည်။

ဥပဒေများနှင့် လုပ်ထုံးလုပ်နည်းများ

ကိရိယာကို ဒေသဆိုင်ရာ ဥပဒေများ၊ လျှပ်စစ်ပစ္စည်း ဘေးကင်းလုံခြုံမှု စည်းမျဉ်းစည်းကမ်းများ နှင့် မီးဘေး ကာကွယ်ရေး စည်းမျဉ်းစည်းကမ်းများနှင့် အညီ သုံးစွဲရမည်။

လျှပ်စစ်ဓာတ်အား

ဤထုတ်ကုန်ပစ္စည်းအား အသုံးပြုရာတွင် နိုင်ငံနှင့် ဒေသတွင်းရှိ လျှပ်စစ်ဆိုင်ရာ ဘေးကင်းလုံခြုံရေး စည်းမျဉ်းအများကို အပြည့်အဝ လိုက်နာဆောင်ရွက်ရမည် ဖြစ်သည်။ ဤကိရိယာကို ရေစိမ့်ကျခြင်း သို့မဟုတ် ဖျန်းပတ်ခြင်းဖြန်းပတ်ခြင်းများနှင့် မထိစေရန်နှင့် ပန်းအိုးများ ကဲ့သို့သော အရည်ဖြည့်ထားသည့် ပစ္စည်းများကို ကိရိယာအပေါ်တွင် မတင်ရပါ။ တောင်ထိပ်၊ သံတာဝါတိုင်နှင့် သစ်တောများကဲ့သို့ အထူး အခြေအနေများအောက်တွင် ကိရိယာ၏ အဝင်ပေါက်တွင် ရုတ်တရက် လျှပ်ရှားမှု အထိန်းကို ထည့်ပေးပါ။ သတိပြုရန်- ကိရိယာ၏ ဖြူးစက်ကို လဲလှယ်နိုင်ပါက မီးလောင်ခြင်း သို့မဟုတ် လျှပ်စစ်ရှောင် အန္တရာယ် ဖြစ်နိုင်ချေ လျော့ကျစေရန် တူညီသော မော်ဒယ်ဖြင့်သာ အစားထိုးလဲလှယ်ပါ။ ကိရိယာကို ပါဝါ ပိတ်ပြီးနောက်တွင် လျှပ်စစ်ဓာတ်အား ရှိနေနိုင်သေးသောကြောင့် (အဝင်အထွက်များ ၏ သတ္တုမျက်နှာပြင်များ) မထိတွေ့ပဲ အနည်းဆုံး 5 မိနစ်ခန့် စောင့်ပါ။ ပါဝါပလပ်နှင့် ပလပ်ပေါက်များဖြင့်သာ အဖွင့်အပိတ်လုပ်ထားသော စက်ပစ္စည်းအတွက်၊ ပလပ်ပေါက်ကို စက်အနီးတွင် တပ်ဆင်ထားရမည်ဖြစ်ပြီး အလွယ်တကူ ရယူအသုံးပြုနိုင်မည်ဖြစ်သည်။

ဘက်ထရီ

ဘက်ထရီကို မြို့ချခြင်း မပြုပါနှင့်။ ဓာတုပစ္စည်းလောင်ကျွမ်းခြင်း အန္တရာယ်။ ဤကိရိယာတွင် ငွေအကြွေစေ့/ကြယ်သီးပုံ ဆဲလ်ဘက်ထရီတစ်လုံး ပါရှိသည်။ ငွေအကြွေစေ့/ကြယ်သီးပုံ ဆဲလ်ဘက်ထရီကို မြို့ချမိပါက အချိန် ၂ နာရီအတွင်း ပြင်းထန်သော ခန္ဓာကိုယ်တွင်း ဓာတုလောင်ကျွမ်းမှုများ ဖြစ်စေနိုင်ပြီး သေဆုံးသည်အထိ ဖြစ်နိုင်ပါသည်။ ဘက်ထရီ အသစ်များ၊ သုံးပြီးသားများကို ကလေးများနှင့် ဝေးရာတွင် ထားပါ။ ဘက်ထရီအခန်း သေချာမပိတ်ပါက ထိုကိရိယာကို ဆက်မသုံးဘဲ ကလေးများနှင့် ဝေးရာတွင် ထားပါ။ ဘက်ထရီကို မြို့ချမိသည် သို့မဟုတ် ခန္ဓာကိုယ်တွင်း နေရာတစ်နေရာသို့ ဝင်သွားသည်ဟု ထင်ပါက ဆေးကုသမှု ချက်ချင်းခံယူပါ။ သတိပြုရန်- မှန်ကန်မှုမရှိသော ဘက်ထရီအမျိုးအစားဖြင့် လဲမိပါက ပေါက်ကွဲမှုဖြစ်နိုင်ပါသည်။ အသုံးပြုပြီး ဘက်ထရီများကို လမ်းညွှန်ချက်များနှင့်အညီ စွန့်ပစ်ပါ။ ဘက်ထရီကို ပုံစံမမှန်ဘဲ မှားယွင်းသော အမျိုးအစားတစ်ခုဖြင့် အသစ်လဲခဲ့ပါက safeguard ပျက်စီးနိုင်ပါသည် (ဥပမာအားဖြင့် အချို့သော လစ်သီယမ် ဘက်ထရီအမျိုးအစားများတွင်)။ ဘက်ထရီကို ပေါက်ကွဲမှု ဖြစ်ပေါ်စေနိုင်သည့် မီးအတွင်းသို့၊ သို့မဟုတ် မီးဖိုအတွင်းအတွင်း၊ သို့မဟုတ် စက်ပစ္စည်းသုံး ထုခြေခြင်း၊ သို့မဟုတ် ဖြတ်တောက်ခြင်း ဖြင့် မစွန့်ပစ်ပါနှင့်။ ဘက်ထရီကို အလွန်အမင်း

မြင့်မားသည့် အပူချိန်ရှိသည့် ပတ်ဝန်းကျင်တွင် မထားပါနှင့်၊ ပေါက်ကွဲမှု ဖြစ်နိုင်သည် သို့မဟုတ် မီးလောင်လွယ်သည့် အရည် သို့မဟုတ် ဓာတ်ငွေ့များ ထွက်လာနိုင်သည်။ ဤဘက်ထရီကို အလွန်နိမ့်မည် လေဖိအားနှင့် ထိတွေ့ခြင်း မရှိစေရ။ ပေါက်ကွဲမှု ဖြစ်နိုင်သည် သို့မဟုတ် မီးလောင်လွယ်သည့် အရည် သို့မဟုတ် ဓာတ်ငွေ့များ ထွက်လာနိုင်သည်။ + တိုက်ရိုက်လျှပ်စီးကြောင်းနှင့် အသုံးပြုသော သို့မဟုတ် တိုက်ရိုက်လျှပ်စီးကြောင်း ထွက်သော ကိရိယာ၏ အပေါင်းငုတ်(များ)ကို ခွဲခြားမှတ်သားပါ။ - တိုက်ရိုက်လျှပ်စီးကြောင်းနှင့် အသုံးပြုသော သို့မဟုတ် တိုက်ရိုက်လျှပ်စီးကြောင်း ထွက်သော ကိရိယာ၏ အနှုတ်ငုတ်(များ)ကို ခွဲခြားမှတ်သားပါ။

မီးဘေး ကာကွယ်တားဆီးရေး

မီးထွန်းထားသည့် ဖယောင်းတိုင်များ ကဲ့သို့သော အကာအကွယ်မရှိသည့် မီးအရင်းအမြစ်များကို ကိရိယာအပေါ်တွင် မထားရပါ။ ကိရိယာ၏ စီရီယယ် ဆက်သွယ်မှု သည် အမှားပြင်ရန်အတွက်သာ အသုံးပြုသည်။

ပူသောမျက်နှာပြင် ကာကွယ်ခြင်း

သတိပြုရန်- ပူသော အစိတ်အပိုင်းများ ကိုင်တွယ်စဉ် လက်ချောင်းများ အပူလောင်စေနိုင်သည်။ အစိတ်အပိုင်းများကို ကိုင်တွယ်ခြင်းမပြုမီ ခလုတ်ကို ပိတ်ပြီး နာရီဝက် စောင့်ပါ။



ဤကပ်စွာသည် ပူနိုင်သော ပစ္စည်းကို သတ်မှတ်ပြထားပြီး သတိမထားပဲ မကိုင်တွယ်ရပါ။ ဤကပ်စွာပါသော ကိရိယာအတွက် ကိရိယာကို သတ်မှတ်ထားသော နေရာတွင်သာ တပ်ဆင်ရမည်။ ဝန်ဆောင်မှု ပေးသော ပုဂ္ဂိုလ်များ သို့မဟုတ် ကန့်သတ်ချက်၏ အကြောင်းရင်းများကို အသိပေးထားသော သုံးစွဲသူသာ လက်လှမ်းမီ ကိုင်တွယ်နိုင်ခြင်းသည် နေရာ နှင့် မည်သည့် ကြိုတင် ပြင်ဆင်မှု ပြုလုပ်မည်ဆိုသည့်အပေါ်တွင် သက်ဆိုင်သည်။

တပ်ဆင်ခြင်း

ဤလက်စွဲစာအုပ်ပါ ညွှန်ကြားချက်များအတိုင်း ကိရိယာကို တပ်ဆင်ပါ။ ထိခိုက်ဒဏ်ရာ ရခြင်းမှ ကာကွယ်ရန် ဤကိရိယာကို တပ်ဆင်မှု လမ်းညွှန်ချက်များနှင့် အညီ တပ်ဆင်သည့် မျက်နှာပြင်တွင် သေချာစွာ တပ်ဆင်ပါ။ ကိရိယာကို မတည်ငြိမ်သောနေရာတွင် ဘယ်တော့မှ မထားပါနှင့်။ ဤကိရိယာ ပြုတ်ကျ၍ အနာတရ ပြင်းထန်စွာဖြစ်စေ၊ အသက်ဆုံးရှုံးသည်အထိ ဖြစ်စေ အန္တရာယ် ဖြစ်စေနိုင်သည်။ ပရော်ဖက်ရှင်နယ် အသုံးပြုရန်အတွက် ကလေးများ ရောက်လာနိုင်သည့်နေရာများတွင် စက်ပစ္စည်းများကို မတပ်ဆင်ပါနှင့်။ စက်တွင် ပါဝါအဒပ်တာအတူမပါရှိသဖြင့် စက်၏ အပေါ်လွှာအုပ်မထားသောကြိုးများကို ဝိုင်ယာကြိုးသွယ်တန်းရန် လိုအပ်လျှင်- စက်၏ ပြင်ပဝိုင်ယာကြိုးသွယ်တန်းမှုကို အန္တရာယ်ရှိ လျှပ်စစ်စီးဝင်နေသောငုတ်များနှင့် ချိတ်ဆက်ရန်အတွက် လျှပ်စစ်ပိုင်းဆိုင်ရာ ကျွမ်းကျင်သူ၏ ကြီးကြပ်ကွပ်ကဲမှုရှိထားသူက တပ်ဆင်ပေးရန် လိုအပ်သည်။ ကိရိယာအား ဝါယာချိတ်ဆက်စဉ်၊ တပ်ဆင်စဉ် သို့မဟုတ် ပြန်ဖြုတ်နေစဉ်တွင် ပါဝါသေချာဖြုတ်ထားပါ။ ပါဝါဆပလိုင် သို့မဟုတ် စက်ကို မြေစိုက်ကြိုးချထားသည့် မိန်းပလပ်ပေါက်နှင့် ချိတ်ဆက်ထားရမည်။ ပါဝါဆပလိုင်အတွက် အမြင့်ဆုံးဗို့အား။ ၎င်းကို မဖြုတ်ပါနှင့်။ ကိရိယာကို သင်ကိုယ်တိုင်

ဝါယာ တပ်ဆင်ခြင်းလုပ်ရန် လိုအပ်ပါက ပါဝါ ဝင်ရောက်ရန်အတွက် ကိရိယာတွင် ရေးသားထားသော လျှပ်စစ်ဆိုင်ရာ ကန့်သတ်ချက်များနှင့် အညီ သက်ဆိုင်ရာ ဝါယာကြိုးများကို ရွေးချယ်ပါ။ စံချိန်မီ ဝါယာကြိုးဖြုတ်သည့် ကိရိယာများဖြင့် မှန်ကန်သော အနေအထားတွင် ဝါယာများကို ဖြုတ်ပါ။ မလိုလားအပ်သော ကြီးမားသည့် နောက်ဆက်တွဲများကို ရှောင်ရှားနိုင်ရန်၊ ဝါယာကြိုးဖြုတ်သည့် ကိရိယာ၏ အရည်သည် သင့်တင့်လျောက်ပတ်ရမည်ဖြစ်ပြီး၊ လျှပ်ကူးပစ္စည်းများကို မထိတွေ့ရပါ။

ပါဝါ ပေးသွင်းမှု

Safety Extra-Low Voltage(SELV) ဖြင့်ပါဝါပေးထားသည်- ပါဝါ ရင်းမြစ်သည် ကန့်သတ်ထားသော ပါဝါ အရင်းအမြစ် သို့မဟုတ် IEC 60950-1 သို့မဟုတ် IEC 62368-1 စံချိန်စံညွှန်းနှင့် အညီ PS2 လိုအပ်ချက်များကို ပြည့်မီရမည်။ စက်ကို AC ပင်မထောက်ပံ့ဗို့အားဖြင့် ပါဝါပေးထားပါသည်- ဤကိရိယာကို မြေချကြိုးတပ်ဆင်ထားသည့် မိန်းပလပ်ပေါက်နှင့် ချိတ်ဆက်ထားရမည်။ သင့်လျော်သော အလွယ်တကူ ရရှိနိုင်သည့် အဆက်အသွယ် ဖြတ်တောက်နိုင်သည့်စက်ကို ကိရိယာ၏ အပြင်ဘက်တွင် တပ်ဆင်ရပါမည်။ သင့်လျော်သော လျှပ်စစ်ပိုလျှံစီးမှု ကာကွယ်သည့်စက်ကို ကိရိယာ၏ အပြင်ဘက်တွင် တပ်ဆင်ရပါမည်။ အဆောက်အအုံသတ်မှတ်ချက်ထက် မပိုရပါ။ အဆောက်အအုံ၏ လျှပ်စစ်ဆက်သွယ်မှု စနစ်အတွင်း၌ ငုတ်အားလုံးပါသော မိန်းခလုတ် တစ်ခုကို တပ်ဆင်ထားရမည်။ ကိရိယာသည် တာမီနယ်များနှင့် ပါဝါကြိုးဖြင့် ဆက်သွယ်ထားပြီး ပါဝါရှိနေပါက၊ ဗို့အား နှင့် ပင်မ လျှပ်စစ်ဓါတ်အား အဆက်အသွယ်များအတွက် တာမီနယ်များနှင့် ဝါယာဆက်သွယ်မှုများ မှန်ကန်အောင် ဂရုပြုပါ။ လိုအပ်ပါက IT ပါဝါဖြန့်ချိမှု စနစ်တစ်ခုနှင့် ချိတ်ဆက်နိုင်ရန်အတွက် ဤကိရိယာကို ဒီဇိုင်းထုတ်ထားခြင်း ဖြစ်သည်။

အဖြူရောင် မီး ရောင်ပြန် (ပုံပိုးမှုရှိပါက)

ဤကုန်ပစ္စည်းမှ ဘေးအန္တရာယ် ရှိနိုင်သော အလင်းဆိုင်ရာ ရောင်ခြည်များ ထုတ်လွှတ်သည်။ လုပ်ငန်းလုပ်ဆောင်နေသော မီးအရင်းအမြစ်ကို စိုက်ကြည့်ပါနှင့်။ မျက်စိများကို ထိခိုက်နိုင်သည်။ သင့်တော်သော မျက်စိကာကွယ်မှုကို ဝတ်ဆင်ပါ သို့မဟုတ် ပစ္စည်းများ စိထားခြင်း၊ တပ်ဆင်ခြင်း သို့မဟုတ် ပြုပြင်ထိန်းသိမ်းခြင်း လုပ်သည့်အခါ အဖြူရောင်မီးကို ဖွင့်မထားပါနှင့်။

သယ်ယူပို့ဆောင်ရေး

ကိရိယာကို သယ်ယူပို့ဆောင်ရာတွင် မူလ သို့မဟုတ် အလားတူ ထုပ်ပိုးမှုအတိုင်း ထားပါ။

စနစ် လုံခြုံရေး

သင့်အနေဖြင့် ဤကိရိယာနှင့် ပတ်သက်သည့် စကားဝှက်များနှင့် အခြားလုံခြုံရေး ဆက်တင်များကို ထိန်းသိမ်းသတ်မှတ်ရမည်ဖြစ်ပြီး အသုံးပြုသူအမည်နှင့် စကားဝှက်တို့ကို မှတ်သားထားရန် တာဝန်ရှိသည်ကို နားလည်ရန်လိုပါသည်။

ပြုပြင်ထိန်းသိမ်းခြင်း

ကိရိယာ သေချာအလုပ်မလုပ်ပါက အရောင်းဆိုင် သို့မဟုတ် အနီးဆုံး ကြံ့ခိုင်မှုစစ်ဆေးရေး စင်တာသို့ ဆက်သွယ်ပါ။ ခွင့်ပြုချက်မရှိဘဲ

ပြင်ဆင်ခြင်း သို့မဟုတ် ထိန်းသိမ်းခြင်းကြောင့် ဖြစ်ပွားရသည့် မည်သည့်ပြဿနာအတွက်မဆို လုံးဝတာဝန်ယူမည် မဟုတ်ပါ။

သန့်ရှင်းခြင်း

ကုန်ပစ္စည်း အဖုံး၏ အတွင်းနှင့် အပြင်ကို သန့်ရှင်းသည့်အခါတွင် ကျေးဇူးပြု၍ ပျော့ပျောင်းခြောက်သွေ့သော အဝတ်စကို အသုံးပြုပါ။ အယ်ကာလိုင်းပါဝင်သော ဆပ်ပြာရည်များကို အသုံးမပြုပါနှင့်။

အသုံးပြုသည့် ပတ်ဝန်းကျင်

လေဆာ ကိရိယာ တစ်စုံတစ်ခုကို အသုံးပြုနေပါက ကိရိယာ၏ မှန်ဘီလူးများ လေဆာရောင်ခြည် မထိမိစေရန် သတိပြုပါ သို့မဟုတ်ပါက လောင်ကျွမ်းသွားနိုင်သည်။ ကိရိယာကို လျှပ်စစ်သံလိုက် ရောင်ခြည် သို့မဟုတ် ဖိုထူသော ပတ်ဝန်းကျင်များနှင့် မထိတွေ့စေပါနှင့်။ အဆောက်အဦအတွင်းအတွက်သာ ကိရိယာများကို ခြောက်သွေ့ပြီး လေဝင်လေထွက်ကောင်းသော ပတ်ဝန်းကျင်တွင် ထားရှိပါ။ မှန်ဘီလူးများကို နေ သို့မဟုတ် တောက်ပသော အလင်းရောင်ရှိရာသို့ မချိန်ပါနှင့်။ လည်ပတ်လုပ်ဆောင်နေသော ပတ်ဝန်းကျင်သည် ကိရိယာအတွက် လိုအပ်ချက်များ ပြည့်မီစေရန် လုပ်ဆောင်ပါ။ အလွန် ပူခြင်း၊ အေးခြင်း၊ ဖိုထူခြင်း၊ သို့မဟုတ်

စိုထိုင်းသော နေရာများ တွင် ကင်မရာကို မထားပါနှင့် ထို့ပြင် လျှပ်စစ်သံလိုက် ရောင်ခြည်မြင့်များနှင့် မထိတွေ့ပါ စေနှင့်။

အရေးပေါ်

ပါဝါကြိုး သို့မဟုတ် စက်မှ မီးခိုးငွေ့၊ ညှော်နံ့ သို့မဟုတ် ဆူညံသံများ ထွက်လာလျှင် ပါဝါ ချက်ချင်းပိတ်ပါ။ ပါဝါကြိုးကို ဖြုတ်ပြီး ဆားဗစ်စင်တာသို့ ဆက်သွယ်ပါ။

အချိန် ညှိခြင်း

ဒေသစံတော်ချိန်သည် ကွန်ရက်နှင့် ချိန်ညှိထားခြင်း မရှိပါက ပထမဆုံးအကြိမ်တွင် ကိရိယာ၏ အချိန်ကို ကိုယ်တိုင်ထည့်သွင်းပါ။ ကိရိယာကို ဝက်ဘ်ဆိုက်/ကလိုင်းရင့် ဆော့ဝဲမှတစ်ဆင့် ဝင်ရောက်ပြီး အချိန် သတ်မှတ်ချက် အင်တာဖေ့စ်ကို သွားပါ။

ရောင်ပြန်ခြင်း

မည်သည့် ရောင်ပြန် မျက်နှာပြင်မျှ ကိရိယာ၏ အနီးအနား နီးကပ်လွန်းခြင်း မရှိရပါ။ ကိရိယာမှ IR မီးသည် မှန်ဘီလူးများပေါ်သို့ အရောင်ဟပ်ပြီး ရောင်ပြန်ခြင်းကို ဖြစ်စေနိုင်သည်။

Türkçe

Mevzuata Uygunluk ve Güvenlik Bilgileri

Cihazı kullanmaya başlamadan önce bu belgedeki tüm bilgi ve talimatları dikkatlice okuyun ve daha sonra başvurmak üzere saklayın.

Cihazla ilgili daha fazla bilgi ve talimat için lütfen

<https://www.hikvision.com> adresinden web sitemizi ziyaret edin.

Ayrıca daha fazla bilgi edinmek için (varsa) cihazla birlikte gelen belgelere bakabilir veya (varsa) paket üzerindeki QR kodunu tarayabilirsiniz.

YASAL UYARI

- YÜRÜRLÜKTEKİ YASALARIN İZİN VERDİĞİ AZAMI ÖLÇÜDE, BU BELGE VE AÇIKLANAN ÜRÜN, DONANIMI, YAZILIMI VE ÜRÜN YAZILIMI İLE "OLDUĞU GİBİ" VE "TÜM ARIZALAR VE HATALAR İLE" SAĞLANIR. HIKVISION PAZARLANABİLİRLİK, TATMİN EDİCİ KALİTE, BELİRLİ BİR AMACA UYGUNLUK DAHİL ANCAK BUNUNLA SINIRLI OLMAMAK KAYDIYLA DOĞRUDAN VEYA DOLAYLI HERHANGİ BİR GARANTİ VERMEMEKTEDİR. ÜRÜNÜN SİZİN TARAFINIZDAN KULLANILMASIYLA İLGİLİ TÜM RİSKLER TARAFINIZA AİTTİR. HIKVISION BU TÜR HASARLARIN VEYA KAYIPLARIN OLASILIĞI HAKKINDA BİLGİLENDİRİLMİŞ OLSA BİLE BU ÜRÜNÜN KULLANIMI İLE BAĞLANTILI OLARAK SÖZLEŞME İHLALİ, (İHMAL DÂHİL) HAKSIZ FİİL, ÜRÜN YÜKÜMLÜLÜĞÜ VEYA FARKLI BİR ŞEKİLDE ORTAYA ÇIKSIN YA DA ÇIKMASIN DİĞER HUSUSLARLA BİRLİKTE TİCARİ KÂR KAYBI, İŞ KESİNTİSİ, VERİ KAYBI, SİSTEMİN BOZULMASI, BELGE KAYBI NEDENİYLE ORTAYA ÇIKAN HASARLAR DAHİL ÖZEL, SONUÇ OLARAK ORTAYA ÇIKAN, ARIZI VEYA DOLAYLI ZARARLAR İÇİN HİÇBİR DURUMDA SİZE KARŞI SORUMLU OLMAYACAKTIR.
- İNTERNETİN DOĞASININ DOĞAL GÜVENLİK RİSKLERİ BARINDIRDIĞINI KABUL EDİYORSUNUZ VE HIKVISION, SİBER SALDIRI, HACKER SALDIRISI, VİRÜS BULAŞMASI VEYA DİĞER İNTERNET GÜVENLİK RİSKLERİNDEN KAYNAKLANAN ANORMAL KULLANIM, GİZLİLİK SIZINTISI VEYA DİĞER ZARARLAR İÇİN HERHANGİ BİR SORUMLULUK KABUL ETMEZ; ANCAK, HIKVISION GEREKİRSE ZAMANINDA TEKNİK DESTEK SAĞLAYACAKTIR.

- BU ÜRÜNÜ YÜRÜRLÜKTEKİ TÜM YASALARA UYGUN OLARAK KULLANMAYI KABUL EDERSİNİZ VE KULLANIMINIZIN YÜRÜRLÜKTEKİ YASAYA UYGUN OLMASI SORUMLULUĞU TAMAMEN SİZE AİTTİR. ÖZELLİKLE, BU ÜRÜNÜ, SINIRLAMA OLMAKSIZIN, TANITIM HAKLARI, FİKRİ MÜLKİYET HAKLARI VEYA VERİ KORUMA VE DİĞER GİZLİLİK HAKLARI DA DAHİL OLMAK ÜZERE ÜÇÜNCÜ TARAFLARIN HAKLARINI İHLAL ETMEYECEK ŞEKİLDE KULLANMAKTAN SİZ SORUMLUSUNUZ. BU ÜRÜNÜ, KİTLE İMHA SİLAHLARININ GELİŞTİRİLMESİ VEYA ÜRETİMİ, KİMYASAL VEYA BİYOLOJİK SİLAHLARIN GELİŞTİRİLMESİ VEYA ÜRETİMİ, HERHANGİ BİR NÜKLEER PATLAYICI VEYA GÜVENLİ OLMAYAN NÜKLEER YAKIT DÖNGÜSÜ İLE İLGİLİ HERHANGİ BİR FAALİYETTE VEYA İNSAN HAKLARI İHLALLERİNİ DESTEKLEMELİK DAHİL YASAKLANMIŞ SON KULLANIMLAR İÇİN KULLANAMAZSINIZ.
- BU BELGE İLE GEÇERLİ YASALAR ARASINDA HERHANGİ BİR ÇATIŞMA OLMASI DURUMUNDA, YASALAR GEÇERLİ OLACAKTIR.

Bu maddeler, yalnızca ilgili işarete veya bilgiye sahip ürünler için geçerlidir.

AB Uygunluk Beyanı



Bu ürün ve (varsa) verilen aksesuarlar da "CE" ile işaretlenmiştir ve bu nedenle 2014/30/EU (EMCD) Direktifi ve 2011/65/EU (RoHS) Direktifinde listelenen

ilgili uyumlaştırılmış Avrupa standartlarına uygundur. Not: Giriş voltajı 50 ila 1000 VAC veya 75 ila 1500 VDC arasında olan ürünler, 2014/35/EU (LVD) Direktifine, geri kalan ürünler de 2001/95/EC (GPSD) Direktifine uygundur. Referans olması için lütfen ilgili güç kaynağı bilgilerini kontrol edin. EU uygunluk beyanının tam metnine aşağıdaki internet adresinden ulaşılabilir: <https://www.hikvision.com/en/support/compliance/declaration-of-conformity>.



2012/19/AB Direktifi (WEEE Direktifi): Bu sembole sahip ürünler, Avrupa Birliği'nde ayrıştırılmamış belediye atığı olarak imha edilemez. Doğru geri dönüşüm için, eşdeğer yeni ekipman satın aldıktan sonra bu ürünü yerel tedarikçinize iade edin veya belirtilen toplama noktalarında imha edin. Daha fazla bilgi için bkz:

www.recyclethis.info.



2006/66/EC Direktifi ve değişiklik 2013/56/EU (batarya direktifi): Bu ürün, Avrupa Birliği'nde ayrıştırılmamış belediye atığı olarak imha edilemeyen bir pil içermektedir. Pile özel bilgi edinmek için ürün belgelerine bakın. Pil, kadmiyum (Cd), kurşun (Pb) veya cıva (Hg) elementlerini gösteren harflerin de yer alabildiği bu sembole işaretlenmiştir. Doğru bir geri dönüşüm için pili tedarikçinize veya belirlenmiş toplama noktasına geri götürün. Daha fazla bilgi için bkz: www.recyclethis.info.

Güvenlik Talimatı
Bu talimatlar ile tehlikeleri veya mal kayıplarını önlemek için kullanıcının ürünü doğru şekilde kullanabilmesinin sağlanması amaçlanmıştır.

Güvenlik Talimatı

Bu talimatlar ile tehlikeleri veya mal kayıplarını önlemek için kullanıcının ürünü doğru şekilde kullanabilmesinin sağlanması amaçlanmıştır.

Yasalar ve Yönetmelikler

Cihaz yerel yasalara, elektrik güvenliği yönetmeliklerine ve yangın önleme yönetmeliklerine uygun şekilde kullanılmalıdır.

Elektrik

Ürünü kullanırken ülkenin ve bölgenin elektrik güvenliği yönetmeliklerine tam olarak uymanız gerekir. Ekipman, damlayan veya sıçrayan sıvılara maruz bırakılmamalı ve ekipmanın üzerine vazo gibi içi sıvı dolu nesnelerin konulmasına dikkat edilmelidir. Dağ tepesi, demir kule ve orman gibi özel koşullarda ekipmanın girişi açıklığında aşırı gerilim koruyucu sağlayın. DİKKAT: Cihazın sigortası değiştirilebiliyorsa, yangın veya elektrik çarpması riskini azaltmak için sadece aynı modelle değiştirin. Cihaz kapatıldıktan sonra da elektrik olabileceğinden, çıplak bileşenlere (girişlerin metal temas noktaları gibi) dokunmayın ve en az 5 dakika bekleyin. Sadece elektrik fişi ve priz ile açılıp kapatılan cihaz için priz, cihaz yakınına takılmalı ve kolayca ulaşılabilir olmalıdır.

Pil

Pili yutmayın. Kimyasal yanık tehlikesi mevcuttur! Bu ürün düğme pil içerir. Düğme pil yutulursa, yalnızca 2 saat içinde ciddi iç yanıklara ve ölüme neden olabilir. Yeni ve kullanılmış pilleri çocuklardan uzak tutun. Pil bölmesi güvenli bir şekilde kapanmıyorsa ürünü kullanmayı bırakın ve çocuklardan uzak tutun. Pillerin yutulmuş veya vücudun herhangi bir yerine yerleştirilmiş olabileceğini düşünüyorsanız derhal tıbbi yardım alın. DİKKAT: Pil yanlış bir türle değiştirildiğinde patlama riski. Bitmiş pilleri talimatlara göre atın. Pilin yanlış türde bir pille uygun olmayan şekilde değiştirilmesi korumayı geçersiz hâle getirebilir (örneğin, bazı lityum pil türleri). Pili ateşe veya sıcak fırına atmayın veya pili mekanik olarak patlayabilecek şekilde ezmeyin veya kesmeyin. Pili, patlamaya veya yanıcı sıvı veya gaz sızıntısına neden olabilecek aşırı yüksek sıcaklıktaki bir ortamda bırakmayın. Pili, patlamaya veya yanıcı sıvı veya gaz sızıntısına neden olabilecek aşırı düşük hava basıncına maruz bırakmayın. + simgesi kullanılan veya doğru akım üreten ekipmanın pozitif terminallerini belirtir. - simgesi kullanılan veya doğru akım üreten ekipmanın negatif terminallerini belirtir.

Yangın Önleme

Ekipmanın üzerine yanan mum gibi açık alev kaynakları konulmamalıdır. Ekipmanın seri portu sadece hata ayıklama için kullanılır.

Sıcak Yüzey Önleme

DİKKAT: Sıcak parçalar! Parçaları tuttuğunuzda parmaklarınız yanabilir. Kapattıktan sonra parçaları tutmadan önce bir buçuk saat bekleyin. Bu çıkartma, işaretli parçanın sıcak olabileceğini ve dikkat edilmeden dokunulmaması gerektiğini belirtmektedir. Bu çıkartmaya sahip cihaz için, bu cihaz sınırlı bir erişim konumuna kurulum için tasarlanmıştır, sadece servis personeli veya konuma uygulanan kısıtlamaların nedenleri ve alınması gereken önlemler hakkında bilgilendirilmiş kullanıcılar tarafından erişim sağlanabilir.



Montaj
Cihazı bu kılavuzdaki talimatlara göre kurun. Bu cihaz yaralanmayı önlemek için, kurulum talimatlarına uygun olarak kurulum yüzeyine güvenli bir şekilde bağlanmalıdır. Cihazı HİÇBİR ZAMAN sağlam olmayan bir yere yerleştirmeyin. Cihaz düşebilir ve ciddi fiziksel yaralanmalara veya ölüme neden olabilir. Çocukların bulunabilme olasılığının yüksek olduğu yerlere profesyonel kullanıma yönelik cihazları monte etmeyin.

Cihaz bir güç adaptörü ile piyasaya sürülmemişse ve cihazın çıplak kablolarını bağlamanız gerekiyorsa: Cihazın akım olan tehlikeli terminallere bağlı olan harici kablo tesisatının, eğitimli bir kişi tarafından kurulması gerekir. Cihazı bağlamadan, kurmadan veya sökmeden önce gücün kesildiğinden emin olun. Güç kaynağı veya cihaz topraklı bir elektrik prizine takılmalıdır. Güç kaynağı için yüksek voltaj. Parçalarına ayırmayın. Cihazın kablo bağlantısını sizin yapmanız gerekiyorsa, cihaz üzerinde etiketlenmiş elektrik parametrelerine göre güç sağlamak için ilgili kabloyu seçin. İlgili pozisyonda standart bir kablo sıyrıcı ile kabloyu sıyırın. Ciddi sonuçlardan kaçınmak için soyulmuş telin uzunluğu uygun olmalı ve iletkenler açıkta kalmamalıdır.

Güç Kaynağı
Çok Düşük Güvenlik Gerilimi (SELV) ile güç verilen cihaz: Güç kaynağı, IEC 60950-1 veya IEC 62368-1 standardına göre sınırlı güç kaynağı veya PS2 gereksinimlerini karşılamalıdır. AC şebeke kaynağı gerilimiyle güç verilen cihaz: Ekipman topraklı bir elektrik prizine takılmalıdır. Ekipmanın dışında, kolayca erişilebilen uygun bir bağlantı kesme cihazı bulunacaktır. Binanın teknik özelliklerini aşmayan uygun bir aşırı akım koruyucu cihaz, ekipmanın dışına eklenecektir. Binanın elektrik tesisatına tümü kutuplu bir şebeke şalteri dâhil edilmelidir. Cihaz, güç kablosuna bağlı terminallerden besleniyorsa, şebeke kaynağına bağlantı için doğru voltaj ve terminal kablolarının olduğundan emin olun. Ekipman gerektiğinde BT güç dağıtım sistemine bağlanmak üzere değiştirilmiştir.

Beyaz Işıklı Aydınlatıcı (Destekleniyorsa)
Bu üründen muhtemel tehlikeli optik ışınım yayılabilir. Yanan ışık kaynağına doğrudan BAKMAYIN. Gözleriniz için zararlı olabilir. Uygun göz koruyucu kullanın veya kamerayı takarken, kurarken ya da kameraya bakım yaparken beyaz ışığı AÇMAYIN.

Ulaşım
Cihazı taşırken orijinal ambalajının veya benzer bir ambalajın içerisine koyun.

Sistem Güvenliği

Cihazla ilgili tüm parolaları ve diğer güvenlik ayarlarını yapılandırma ve kullanıcı adınızı ve parolanızı koruma sorumluluğunun sizde olduğunu unutmayın.

Bakım

Ürün düzgün şekilde çalışmıyorsa lütfen bayiiyle veya en yakın servis merkeziyle iletişime geçin. Yetkisiz onarım veya bakımdan kaynaklanan sorunlar için herhangi bir sorumluluk kabul etmeyiz.

Temizleme

Ürün kapağının iç ve dış yüzeylerini temizlerken yumuşak ve kuru bir bez kullanın. Alkalın deterjanlar kullanmayın.

Kullanma Ortamı

Herhangi bir lazer ekipmanı kullanılırken cihaz merceğinin, lazer ışınına maruz kalmadığından emin olun aksi takdirde yanabilir.

Cihazı yüksek elektromanyetik radyasyona sahip veya tozlu ortamlarda BULUNDURMAYIN. Yalnızca iç mekanlarda kullanıma yönelik cihazları kuru ve iyi havalandırılan bir ortama yerleştirin.

Lensi, güneşe veya herhangi bir parlak ışığa doğru tutmayın.

Çalışma ortamının cihazın gereksinimlerini karşıladığından emin olun. Kamerayı aşırı sıcak, soğuk, tozlu veya nemli konumlara YERLEŞTİRMEYİN ve yüksek elektromanyetik radyasyona maruz bırakmayın.

Acil Durum

Güç kaynağından ya da cihazdan duman, koku veya ses geliyorsa hemen gücü kapatarak güç kablosunun bağlantısını kesin ve servis merkeziyle iletişime geçin.

Saat Senkronizasyonu

Yerel saat, ağın saatiyle senkronize değilse cihaz saatini ilk kez erişimde manuel olarak ayarlayın. Web tarayıcı / istemci yazılımı ile cihaza giderek zaman ayarları arayüzüne girin.

Yansımalar

Cihazın lensine çok yakın bir yansıtıcı yüzey olmadığından emin olun. Cihazdan gelen IR ışığı, lensin içine geri yansiyabilir ve bu durum görüntüde yansımaya neden olur.

Русский

Соответствие нормативным требованиям и инструкции по технике безопасности

Перед использованием устройства внимательно прочтите всю информацию и указания, содержащиеся в данном документе, и сохраните его для дальнейшего использования.

Для получения дополнительных инструкций или информации об устройстве, посетите наш сайт <https://www.hikvision.com>.

Для получения дополнительной информации вы также можете обратиться к другим прилагаемым к устройству документам (при их наличии) или отсканировать QR-код на упаковке (при его наличии).

ЗАЯВЛЕНИЕ ОБ ОГРАНИЧЕНИИ ОТВЕТСТВЕННОСТИ

- В МАКСИМАЛЬНОЙ СТЕПЕНИ, РАЗРЕШЕННОЙ ДЕЙСТВУЮЩИМ ЗАКОНОДАТЕЛЬСТВОМ, ДАННЫЙ ДОКУМЕНТ И ОПИСАНИЕ ИЗДЕЛИЯ ВМЕСТЕ С АППАРАТНОЙ ЧАСТЬЮ, ПРОГРАММНЫМ ОБЕСПЕЧЕНИЕМ И ВСТРОЕННОЙ МИКРОПРОГРАММОЙ ПРЕДОСТАВЛЯЕТСЯ ПО ПРИНЦИПУ «КАК ЕСТЬ» И «СО ВСЕМИ НЕПОЛАДКАМИ И ОШИБКАМИ». КОМПАНИЯ HIKVISION НЕ ДАЕТ НИ ЯВНЫХ, НИ ПОДРАЗУМЕВАЕМЫХ ГАРАНТИЙ, В ТОМ ЧИСЛЕ ГАРАНТИЙ ТОВАРНОЙ ПРИГОДНОСТИ И УДОВЛЕТВОРИТЕЛЬНОГО КАЧЕСТВА, КАК И ПРИГОДНОСТИ ДЛЯ КОНКРЕТНЫХ ЦЕЛЕЙ. ПОТРЕБИТЕЛЬ ИСПОЛЬЗУЕТ ИЗДЕЛИЕ НА СВОЙ СТРАХ И РИСК. НИ ПРИ КАКИХ ОБСТОЯТЕЛЬСТВАХ КОМПАНИЯ HIKVISION НЕ НЕСЕТ ОТВЕТСТВЕННОСТИ ПЕРЕД ПОТРЕБИТЕЛЕМ НИ ЗА ФАКТИЧЕСКИ ПОНЕСЕННЫЙ, НИ ЗА ПОСЛЕДУЮЩИЙ, КАК ПРЯМОЙ, ТАК И КОСВЕННЫЙ, УЩЕРБ, ВКЛЮЧАЯ УБЫТКИ В ВИДЕ УПУЩЕННОЙ ПРИБЫЛИ, ПЕРЕРЫВОВ В ДЕЯТЕЛЬНОСТИ, ПОТЕРИ ДАННЫХ, ДОКУМЕНТАЦИИ ИЛИ ПОВРЕЖДЕНИЯ СИСТЕМ, БУДЬ ТО ПО ПРИЧИНЕ НАРУШЕНИЯ ДОГОВОРА, ПРОТИВОПРАВНЫХ ДЕЙСТВИЙ (В ТОМ ЧИСЛЕ ХАЛАТНОСТИ), НАСТУПЛЕНИЯ ОТВЕТСТВЕННОСТИ ЗА ИЗДЕЛИЕ ИЛИ ИНЫХ ОБСТОЯТЕЛЬСТВ В СВЯЗИ С ИСПОЛЬЗОВАНИЕМ ДАННОГО ИЗДЕЛИЯ, ДАЖЕ ЕСЛИ КОМПАНИИ HIKVISION БЫЛО ИЗВЕСТНО О ВОЗМОЖНОСТИ ТАКОГО УЩЕРБА И УБЫТКОВ.
- ПОТРЕБИТЕЛЬ ОСОЗНАЕТ, ЧТО ИНТЕРНЕТ ПО СВОЕЙ ПРИРОДЕ ЯВЛЯЕТСЯ ИСТОЧНИКОМ ПОВЫШЕННОГО РИСКА БЕЗОПАСНОСТИ, И КОМПАНИЯ HIKVISION НЕ НЕСЕТ ОТВЕТСТВЕННОСТИ ЗА СБОИ В РАБОТЕ ОБОРУДОВАНИЯ, УТЕЧКУ ИНФОРМАЦИИ И ДРУГОЙ УЩЕРБ, ВЫЗВАННЫЙ КИБЕРАТАКАМИ, ХАКЕРАМИ, ВИРУСАМИ ИЛИ СЕТЕВЫМИ УГРОЗАМИ; ОДНАКО HIKVISION ОБЕСПЕЧИВАЕТ СВОЕВРЕМЕННУЮ ТЕХНИЧЕСКУЮ ПОДДЕРЖКУ, ЕСЛИ ЭТО НЕОБХОДИМО.
- ПОТРЕБИТЕЛЬ СОГЛАШАЕТСЯ ИСПОЛЬЗОВАТЬ ДАННОЕ

- ИЗДЕЛИЕ В СООТВЕТСТВИИ СО ВСЕМИ ПРИМЕНИМЫМИ ЗАКОНАМИ И НЕСЕТ ЛИЧНУЮ ОТВЕТСТВЕННОСТЬ ЗА ИХ СОБЛЮДЕНИЕ. ПРИ ИСПОЛЬЗОВАНИИ ИЗДЕЛИЯ ПОТРЕБИТЕЛЬ НЕСЕТ ОТВЕТСТВЕННОСТЬ ЗА СОБЛЮДЕНИЕ ПРАВ ТРЕТЬИХ СТОРОН, В ТОМ ЧИСЛЕ ПРАВ НА ПУБЛИЧНОСТЬ, ИНТЕЛЛЕКТУАЛЬНУЮ СОБСТВЕННОСТЬ, ЗАЩИТУ ДАННЫХ И ИНЫХ ПРАВ НА НЕПРИКОСНОВЕННОСТЬ ЧАСТНОЙ ЖИЗНИ. ПОТРЕБИТЕЛЬ ОБЯЗУЕТСЯ НЕ ИСПОЛЬЗОВАТЬ ЭТО ИЗДЕЛИЕ В ЗАПРЕЩЕННЫХ ЦЕЛЯХ, В ТОМ ЧИСЛЕ ДЛЯ РАЗРАБОТКИ ИЛИ ПРОИЗВОДСТВА ОРУЖИЯ МАССОВОГО УНИЧТОЖЕНИЯ, ХИМИЧЕСКОГО ИЛИ БИОЛОГИЧЕСКОГО ОРУЖИЯ, ОСУЩЕСТВЛЕНИЯ КАКОЙ-ЛИБО ДЕЯТЕЛЬНОСТИ В КОНТЕКСТЕ ЯДЕРНОГО ОРУЖИЯ, НЕБЕЗОПАСНЫХ ОПЕРАЦИЙ С ЯДЕРНЫМ ТОПЛИВОМ ИЛИ ДЛЯ ПОДДЕРЖКИ НАРУШЕНИЙ ПРАВ ЧЕЛОВЕКА.
- В СЛУЧАЕ РАЗНОЧТЕНИЙ МЕЖДУ НАСТОЯЩИМ ДОКУМЕНТОМ И ДЕЙСТВУЮЩИМ ЗАКОНОДАТЕЛЬСТВОМ, ПОСЛЕДНЕЕ ИМЕЕТ ПРИОРИТЕТ.

Данные положения применяются только в том случае, если изделие снабжено соответствующей отметкой или информацией.

Декларация соответствия EU



Настоящее изделие и аксессуары в комплекте поставки (при наличии таковых) отмечены символом «CE», который обозначает их

соответствие применимым согласованным европейским стандартам, перечисленным в Директиве 2014/30/EU (EMCD) и Директиве 2011/65/EU (RoHS).

Примечание. На изделия с входным напряжением 50–1000 В переменного тока или 75–1500 В постоянного тока распространяется Директива 2014/35/EU (LVD), а на все остальные изделия — Директива 2001/95/EC (GPSD). См. характеристики конкретного источника питания.

Полный текст декларации соответствия EU опубликован в Интернете по адресу:

<https://www.hikvision.com/en/support/compliance/declaration-of-conformity>.



Директива WEEE 2012/19/EU (по утилизации отходов электрического и электронного оборудования): На территории ЕС запрещается утилизировать изделия с этой маркировкой как несортируемые бытовые отходы. Для надлежащей

переработки следует передать это изделие местному поставщику после приобретения аналогичного нового оборудования либо доставить изделие в надлежащий пункт сбора отходов. Для получения дополнительной информации посетите веб-сайт www.recyclethis.info.



Директива 2006/66/EU и поправка к ней 2013/56/EU (сведения о батарее): это изделие содержит батарею, которую запрещено утилизировать в Европейском союзе в качестве несортированных бытовых отходов. Информацию о конкретной батарее см. в документации изделия. Маркировка батареи может включать в себя символы, которые обозначают ее химический состав:

кадмий (Cd), свинец (Pb) или ртуть (Hg). Для надлежащей утилизации отправьте батарею местному поставщику или утилизируйте ее в специальных пунктах приема отходов. Для получения дополнительной информации посетите веб-сайт www.recyclethis.info.

Инструкция по технике безопасности

Настоящие инструкции служат для обеспечения правильного использования продукта во избежание опасных ситуаций и материального ущерба.

Законодательные акты и нормативные документы

При использовании этого устройства необходимо соблюдать местное законодательство, правила безопасной эксплуатации электрооборудования и правила противопожарной безопасности.

Электрооборудование

Эксплуатация данного изделия должна выполняться в строгом соответствии с правилами безопасной эксплуатации электрооборудования, действующими в вашей стране и вашем регионе. Устройство не должно подвергаться воздействию капель и брызг; не допускается ставить на него предметы, наполненные жидкостью, например, вазы с цветами. В особых условиях, таких как горные вершины, железные башни и лесные массивы, установите ограничитель перенапряжения на входе оборудования. **ОСТОРОЖНО!** Если устройство допускает замену предохранителей, используйте для замены компоненты той же модели, чтобы снизить риск пожара или поражения электрическим током. Не прикасайтесь к неизолированным компонентам (таким как металлические входные контакты) и подождите не менее 5 минут после выключения устройства, пока не разрядятся все электрические конденсаторы. Если включение и выключение устройства осуществляются только с помощью вилки и розетки, розетка должна быть легкодоступна и располагаться рядом с устройством.

Батарея

Не проглатывайте батарею. Опасность химического ожога! Устройство содержит плоскую круглую батарею. Если вы случайно проглотите эту батарею, это может вызвать серьезные ожоги внутренних органов и даже привести к летальному исходу через 2 часа. Храните новые и использованные батареи вдали от детей. Если отсек для батареи не закрывается достаточно плотно, прекратите эксплуатацию изделия и ограничьте доступ детей к нему. Если вы думаете, что батарея была проглочена или каким-либо другим образом попала в организм, немедленно обратитесь к врачу. **ОСТОРОЖНО!** При установке батареи недопустимого типа существует риск взрыва. Утилизируйте использованные батареи в соответствии с инструкциями. Установка батареи недопустимого типа может создать угрозу для безопасности

(например, в случае некоторых типов литиевых батарей). Не бросайте батарею в огонь или горячую печь, не сдавливайте и не разрезайте батарею, поскольку это может привести к взрыву. Нахождение батареи в среде с чрезвычайно высокой температурой может привести к взрыву или к утечке горючей жидкости или газа. Нахождение батареи в среде с чрезвычайно низким давлением воздуха может привести к взрыву или к утечке горючей жидкости или газа. + обозначает положительный контакт оборудования, который должен подключаться к источнику постоянного тока. - обозначает отрицательный контакт оборудования, который должен подключаться к источнику постоянного тока.

Предотвращение пожара

Не ставьте на устройство источники открытого огня, например горящие свечи. Последовательный порт оборудования предназначен только для отладки.

Предотвращение ожога из-за горячей поверхности

ОСТОРОЖНО! Горячие детали! Опасность ожога пальцев при обращении с деталями. Перед прикосновением к деталям устройства подождите полчаса после его выключения. Эта наклейка



указывает на то, что данный компонент может быть горячим, и его нельзя трогать не предприняв соответствующих мер предосторожности. Устройства с такой наклейкой предназначены для размещения в закрытой зоне, доступ в которую должны иметь только обслуживающие специалисты или пользователи, знающие о причинах ограничения доступа в эту зону и осведомленные о необходимых мерах предосторожности.

Установка

Установите устройство в соответствии с инструкциями, приведенными в настоящем руководстве. Во избежание травм устройство необходимо надежно закрепить на монтажной поверхности согласно инструкциям по установке. Никогда не ставьте устройство на неустойчивую поверхность. Падение устройства на человека может стать причиной серьезных травм или смерти. Не устанавливайте устройства для профессиональной эксплуатации в местах, где могут находиться дети.

Если устройство выпускается без блока питания и вам необходимо соединить оголенные кабели устройства: Подключение внешней проводки устройства к клеммам под напряжением должна осуществляться квалифицированным специалистом. Прежде чем подключать кабели, устанавливайте или разбирайте устройство, убедитесь, что питание отключено. Источник питания или устройство должны быть подключены к заземленной розетке. Источник питания находится под высоким напряжением. Не разбирайте его. Если вы хотите подключить устройство самостоятельно, выберите соответствующий кабель для подачи питания в соответствии с электрическими параметрами, указанными на паспортной табличке устройства. Снимите изоляцию в соответствующем месте с помощью стандартного инструмента для зачистки проводов. Во избежание негативных последствий длина оголенных проводов не должна быть чрезмерной, чтобы провода не замыкались и не подвергались воздействию окружающей среды.

Электропитание

Если питание оборудования осуществляется безопасным сверхнизким напряжением, источник питания должен

соответствовать требованиям к ограниченному напряжению питания или требованиям PS2 согласно стандарту IEC 60950-1 или IEC 62368-1.

Если питание оборудования осуществляется напряжением от сети переменного тока, Оборудование должно быть подключено к заземленной розетке. Снаружи корпуса оборудования необходимо установить подходящее легкодоступное устройство отключения. Снаружи корпуса оборудования необходимо установить подходящее устройство защиты от перегрузки по току, соответствующее техническим характеристикам электросистемы здания. В электросистеме здания должен быть установлен многополюсный сетевой выключатель. Если клеммы питания устройства подключены к шнуру питания, проверьте номинал напряжения и корректность разводки клемм перед подключением к электросети. Оборудование разработано таким образом, чтобы при необходимости его можно было модифицировать для подключения к ИТ-системе распределения электроэнергии.

Устройство подсветки белого света (если поддерживается)

Данное изделие может испускать опасное оптическое излучение. ЗАПРЕЩАЕТСЯ смотреть на работающий источник света. Это может быть вредно для глаз. Во время сборки, установки или обслуживания камеры необходимо носить соответствующие средства защиты глаз и ЗАПРЕЩАЕТСЯ включать белый свет.

Транспортировка

Используйте оригинальную или схожую упаковку для транспортировки устройства.

Безопасность системы

Помните, что вы несете ответственность за конфигурирование всех паролей и прочих параметров безопасности устройства, а также за сохранность своего имени пользователя и пароля.

Техническое обслуживание

Если изделие не работает должным образом, обратитесь к дилеру или к специалистам ближайшего сервисного центра. Компания-изготовитель не несет ответственности за неисправности, возникшие в результате

несанкционированного ремонта или технического обслуживания.

Очистка

Для очистки внутренних и внешних поверхностей крышки изделия используйте мягкую сухую ткань. Не используйте щелочные моющие средства.

Требования к рабочей среде

При использовании любого лазерного оборудования убедитесь, что в объектив устройства не попадает лазерный луч, иначе он может выгореть. ЗАПРЕЩАЕТСЯ устанавливать устройство в условиях воздействия сильного электромагнитного излучения или в пыльной среде.

Устройство, предназначенное для установки внутри помещений, необходимо размещать в сухой и хорошо проветриваемой среде. Не направляйте объектив устройства на солнце или другие яркие источники света. Убедитесь, что рабочая среда удовлетворяет требованиям надлежащей работы устройства. ЗАПРЕЩАЕТСЯ устанавливать камеру в условиях воздействия экстремально высоких или низких температур, во влажной среде, а также в условиях воздействия сильного электромагнитного излучения.

Кнопка подачи экстренного сигнала тревоги

При появлении дыма, необычного запаха или шума в районе источника питания или устройства немедленно отключите питание устройства, извлеките вилку кабеля питания из розетки и обратитесь в сервисный центр.

Синхронизация времени

Если локальное время не было синхронизировано с сетевым временем, выполните ручную настройку времени устройства при первом доступе. Зайдите на устройство через веб-браузер/программное обеспечение клиента и перейдите к интерфейсу настройки времени.

Отражение

Убедитесь, что в непосредственной близости от объектива устройства нет отражающей поверхности. Инфракрасный свет от устройства может отразиться обратно в объектив, что приведет к засветке.

Українська

Відповідність нормативним вимогам та інформація щодо техніки безпеки

Прочитайте всю інформацію й указівки, що містяться в цьому документі, та збережіть його для подальшого використання. Для отримання більш детальної інформації про пристрій і вказівок щодо його використання відвідайте наш вебсайт: <https://www.hikvision.com>. Крім того, щоб отримати більш детальну інформацію, ви можете звернутися до інших документів (якщо є), які постачаються разом із пристроєм, або відсканувати QR-код (якщо є) на упаковці.

ЗАЯВА ПРО ВІДМОВУ ВІД ВІДПОВІДАЛЬНОСТІ

● У МАКСИМАЛЬНИХ МЕЖАХ, ДОЗВОЛЕНИХ ЗАСТОСОВУВАННЯМ ЗАКОНОМ, ЦЕЙ ДОКУМЕНТ ТА ОПИСАНИЙ ВИРІБ З ЙОГО АПАРАТНИМ ЗАБЕЗПЕЧЕННЯМ, ПРОГРАМНИМ ЗАБЕЗПЕЧЕННЯМ ТА МІКРОПРОГРАМНИМ ЗАБЕЗПЕЧЕННЯМ НАДАЮТЬСЯ НА УМОВАХ «ЯК Є» ТА «З УСІМА НЕДОЛІКАМИ ТА ПОМИЛКАМИ». HIKVISION НЕ НАДАЄ ЖОДНИХ ГАРАНТІЙ, ЯВНИХ АБО ОЧІКУВАНИХ, ВКЛЮЧАЮЧИ, БЕЗ ОБМЕЖЕНЬ, КОМЕРЦІЙНІ ЯКОСТІ, ЗАДОВІЛЬНУ ЯКІСТЬ АБО ПРИДАТНІСТЬ ДЛЯ ХАРАКТЕРНОЇ МЕТИ. ВИКОРИСТАННЯ

ВИРОБУ ВІДБУВАЄТЬСЯ НА ВАШ ВЛАСНИЙ РИЗИК. КОМПАНІЯ HIKVISION НІ В ЯКОМУ РАЗІ НЕ НЕСЕ ВІДПОВІДАЛЬНОСТІ ПЕРЕД ВАМИ ЗА БУДЬ-ЯКІ СПЕЦІАЛЬНІ, ЛОГІЧНО ВИТІКАЮЧІ, ВИПАДКОВІ АБО НЕПРЯМІ ЗБИТКИ, ВКЛЮЧАЮЧИ, КРІМ ІНШОГО, ПОШКОДЖЕННЯ, ЩО ВЕДУТЬ ДО ВТРАТИ КОМЕРЦІЙНОГО ПРИБУТКУ, ПЕРЕРИВАННЯ ДІЛОВОЇ АКТИВНОСТІ АБО ВТРАТИ ДАНИХ, ПСУВАННЯ СИСТЕМ АБО ВТРАТИ ДОКУМЕНТАЦІЇ, НЕВАЖЛИВО, ЧИ ВНАСЛІДОК ПОРУШЕННЯ КОНТРАКТУ, ЦИВІЛЬНОГО ПРАВОПОРУШЕННЯ (ВКЛЮЧАЮЧИ НЕДБАЛИСТЬ), ВІДПОВІДАЛЬНОСТІ ЗА ВИРІБ, АБО ІНШИМ ЧИНОМ, ПОВ'ЯЗАНИХ З ВИКОРИСТАННЯМ ВИРОБУ, НАВІТЬ ЯКЩО КОМПАНІЯ HIKVISION ПОВІДОМЛЯЛА ПРО МОЖЛИВІСТЬ ТАКИХ ЗБИТКІВ АБО ВТРАТ.

● ВИ УСВІДОМЛЮЄТЕ, ЩО ПРИРОДА ІНТЕРНЕТУ НЕСЕ ПРИТАМАННІ РИЗИКИ ДЛЯ БЕЗПЕКИ, І КОМПАНІЯ HIKVISION НЕ БЕРЕ НА СЕБЕ НІЯКОЇ ВІДПОВІДАЛЬНОСТІ ЗА НЕНОРМАЛЬНУ РОБОТУ, ВТРАТУ КОНФІДЕНЦІЙНОСТІ АБО ІНШІ ЗБИТКИ В РЕЗУЛЬТАТІ КІБЕР-АТАК, ХАКЕРСЬКИХ АТАК, ЗАРАЖЕНЬ ВІРУСАМИ АБО ІНШИХ РИЗИКІВ ДЛЯ БЕЗПЕКИ В ІНТЕРНЕТІ, ОДНАК, КОМПАНІЯ HIKVISION В РАЗІ

НЕОБХІДНОСТІ НАДАСТЬ СВОЄЧАСНУ ТЕХНІЧНУ ПІДТРИМКУ.

- ВИ ПОГОДЖУЄТЕСЬ ВИКОРИСТОВУВАТИ ЦЕЙ ВИРІБ У ВІДПОВІДНОСТІ ДО ВСІХ ЗАСТОСОВУВАНИХ ЗАКОНІВ, І ВИ НЕ СЕТЕ ОДНООСІБНУ ВІДПОВІДАЛЬНІСТЬ ЗА ЗАБЕЗПЕЧЕННЯ ВИКОРИСТАННЯ ВИРОБУ ВІДПОВІДНО ДО ЗАСТОСОВУВАНОВОГО ЗАКОНУ. ЗОКРЕМА, ВИ НЕ СЕТЕ ВІДПОВІДАЛЬНІСТЬ ЗА ВИКОРИСТАННЯ ЦЬОГО ВИРОБУ СПОСОБОМ, ЯКИЙ НЕ ПОРУШУЄ ПРАВА ТРЕТІХ СТОРІН, ВКЛЮЧАЮЧИ, БЕЗ ОБМЕЖЕНЬ, ПРАВА РОЗГОЛОШЕННЯ, ПРАВА ІНТЕЛЕКТУАЛЬНОЇ ВЛАСНОСТІ ТА ІНШІ ПРАВА ЩОДО КОНФІДЕНЦІЙНОСТІ. ВИ НЕ ПОВИННІ ВИКОРИСТОВУВАТИ ЦЕЙ ВИРІБ ДЛЯ БУДЬ-ЯКОГО ЗАБОРОНЕНОГО КІНЦЕВОГО ПРИЗНАЧЕННЯ, ВКЛЮЧАЮЧИ РОЗРОБКУ ЧИ ВИРОБНИЦТВО ЗБРОЇ МАСОВОГО ЗНИЩЕННЯ, РОЗРОБКУ ЧИ ВИРОБНИЦТВО ХІМІЧНОЇ АБО БІОЛОГІЧНОЇ ЗБРОЇ, БУДЬ-ЯКІ ДІЇ В КОНТЕКСТІ, ПОВ'ЯЗАНОМУ З ЯДЕРНОЮ ВИБУХОВОЮ РЕЧОВИНОЮ АБО НЕБЕЗПЕЧНИМ ЯДЕРНИМ ПАЛИВНИМ ЦИКЛОМ, АБО НА ПІДТРИМКУ ПОРУШЕНЬ ПРАВ ЛЮДИНИ.
- У РАЗІ ВИНИКНЕННЯ БУДЬ-ЯКИХ СУПЕРЕЧНОСТЕЙ МІЖ ЦИМ ДОКУМЕНТОМ І ЧИННИМ ЗАКОНОДАВСТВОМ БІЛЬШУ ЮРИДИЧНУ СИЛУ МАЄ ОСТАННЄ.

Ці положення застосовуються лише до продуктів, які мають відповідний знак або інформацію.

Декларація відповідності нормативним вимогам ЄС



Цей виріб й аксесуари до нього (якщо є в комплекті) мають маркування «CE», а тому відповідають чинним гармонізованим

європейським стандартам, переліченим у Директиві з електромагнітної сумісності (EMCD) 2014/30/ЄС і Директиві щодо обмеження використання шкідливих речовин (RoHS) 2011/65/ЄС.

Примітка: Продукти з вхідною напругою від 50 до 1000 В змінного струму або від 75 до 1500 В постійного струму відповідають Директиві 2014/35/ЄС (LVD), а решта продуктів відповідає Директиві 2001/95/ЄС (GPSD). Щоб дізнатися напевно, перевірте інформацію про джерело живлення. Повний текст декларації про відповідність нормативним вимогам ЄС можна знайти за адресою:

<https://www.hikvision.com/en/support/compliance/declaration-of-conformity>.



Директива з утилізації електричного й електронного обладнання (WEEE) 2012/19/ЄС:

Вироби, помічені цим символом, не можна утилізувати у Європейському Союзі як несортвані побутові відходи.

Щоб забезпечити правильну переробку цього виробу, поверніть його місцевому постачальнику під час придбання аналогічного нового обладнання, або здайте його до спеціально призначеного пункту збирання відходів.

Докладну інформацію дивіться на сайті: www.recyclethis.info.



Директива 2006/66/ЄС із поправками 2013/56/ЄС (директива щодо акумуляторів): Цей виріб містить батарею, яку не можна утилізувати в Європейському Союзі як несортвані побутові відходи. Інформацію

щодо батареї див. у документації до виробу. Батарея помічена цим символом, який може включати букви, що вказують на наявність кадмію (Cd), свинцю (Pb) або ртуті (Hg). Щоб забезпечити правильну переробку батареї, поверніть її постачальнику або здайте до спеціалізованого пункту

збирання відходів. Докладну інформацію дивіться на сайті:

www.recyclethis.info.

Указівки з техніки безпеки

Ці інструкції дозволять користувачу використовувати виріб правильно та уникати небезпеки чи пошкодження майна.

Закони та норми

Пристрій слід використовувати з дотриманням місцевих законів, електротехнічних норм та правил протипожежної безпеки.

Електрика

Під час експлуатації виробу суворо дотримуйтеся державних і місцевих правил електричної безпеки. Не допускайте потрапляння на обладнання крапель чи бризок. Ніколи не ставте на обладнання предмети, наповнені рідиною, як-от вази. Якщо обладнання розміщується на вершині гори, залізної башти чи у лісі, встановіть на вході обмежувач напруги. ОБЕРЕЖНО! Якщо пристрій має змінний запобіжник, замінійте запобіжник лише на запобіжник такої ж моделі, щоб зменшити ризик пожежі й ураження електричним струмом. Не торкайтесь оголених компонентів (таких як металеві контакти вхідних роз'ємів) і зачекайте щонайменше 5 хвилин після вимкнення пристрою, оскільки ці компоненти все ще можуть знаходитися під напругою. Якщо пристрій вмикається та вимикається лише за допомогою вилки та розетки, то розетка має бути встановлена поблизу пристрою та повинна бути легкодоступною.

Батарея

Не ковтайте батарею. Небезпека хімічних опіків! У цьому виробі встановлена батарейка-таблетка. Якщо проковтнути батарейку-таблетку, це може викликати серйозні внутрішні опіки всього за 2 години й навіть призвести до смерті. Тримайте нові й використані батарейки у недоступному для дітей місці. Якщо відсік для батарейки не закривається належним чином, припиніть користуватися виробом і покладіть його в недоступне для дітей місце. Якщо існує вірогідність того, що батарейку проковтнули або вона знаходиться всередині тіла людини, негайно зверніться по медичну допомогу. ОБЕРЕЖНО! Встановлення батареї невідповідного типу може призвести до вибуху. Утилізуйте використані батареї згідно з інструкціями. Встановлення батареї невідповідного типу може призвести до порушення системи захисту (зокрема, у разі використання літєвих батарей деяких типів). Не кидайте батарею у вогонь або в гарячу піч, не розбивайте та не розрізуйте її. Це може призвести до вибуху. Не залишайте батарею в місцях із дуже високою температурою. Це може призвести до вибуху або витоку вогнєнебезпечної рідини або газу. Не залишайте батарею в місцях із дуже низьким атмосферним тиском. Це може призвести до вибуху або витоку вогнєнебезпечної рідини або газу. + позначає позитивну клему(и) обладнання, що використовує постійний струм чи генерує його. - позначає негативну клему(и) обладнання, що використовує постійний струм чи генерує його.

Запобігання пожежі

Забораються розміщувати на обладнанні джерела відкритого вогню, як-от свічки, які горять. Послідовний порт обладнання використовується лише для налагодження.

Попередження про гарячі поверхні



ОБЕРЕЖНО! Гарячі деталі! Будьте обережні, щоб не обпекти пальці о деталі. Після вимикання живлення

зачекайте півгодини, перш ніж торкатися цих деталей. Ця етикетка означає, що деталь може нагріватися, і тому її не слід торкатися, не вживши застережних заходів. Якщо пристрій має таку етикетку, він призначений для встановлення в місці з обмеженим доступом. Доступ до такого місця може надаватися лише працівникам сервісної служби або користувачам, яким роз'яснено причини таких обмежень і заходи безпеки, яких вони мають вжити.

Установлення

Установлюйте пристрій відповідно до вказівок у цій інструкції. Щоб уникнути травм, цей пристрій слід надійно закріпити на монтажній поверхні відповідно до вказівок щодо встановлення. У жодному разі не розміщуйте пристрій на хиткій поверхні. Пристрій може впасти, що може призвести до серйозної травми або смерті. Не встановлюйте пристрої для професійного використання в місцях, де існує ймовірність появи дітей.

Якщо пристрій не випускається з адаптером живлення і вам потрібно прокласти оголені кабелі пристрою: зовнішня проводка пристрою, що підключається до клем під небезпечною напругою, має прокладатися проінструктованою особою. Перш ніж під'єднувати, встановлювати або розбирати пристрій, переконайтеся, що живлення від'єднано. Джерело живлення або пристрій слід підключати до електричної розетки із заземленням. У джерелі живлення наявна висока напруга. Не розбирайте його. Якщо вам потрібно самостійно під'єднати пристрій, вибирайте належний провід для подачі живлення відповідно до електричних характеристик, зазначених на пристрої. За допомогою стандартного пристрою для зняття ізоляції видаліть ізоляцію з частини проводу відповідної довжини. Щоб уникнути тяжких наслідків, довжина оголеного проводу повинна бути належною, а контакт з оголеними проводами повинен бути виключений.

Живлення

Якщо пристрій живиться від джерела безпечної наднизької напруги (БННН): джерело живлення має відповідати вимогам до джерел живлення обмеженої потужності або PS2 згідно зі стандартом IEC 60950-1 або IEC 62368-1.

Якщо пристрій живиться від електромережі змінного струму: Обладнання слід підключати до електричної розетки із заземленням. Відповідний легкодоступний роз'єднувальний пристрій має бути під'єднаний зовні обладнання. Відповідний захисний пристрій від перенапруги має бути під'єднаний зовні обладнання, без перевищення технічних характеристик будівлі. Електромережа будівлі має бути обладнана вимикачем живлення з вимиканням усіх полюсів. Якщо пристрій живиться через клеми, до яких підключається шнур живлення, переконайтеся, що клеми, на які подається мережеве живлення, розраховані на відповідну напругу й правильно з'єднані. Обладнання спроектоване, а коли це необхідно, змінено для підключення до комп'ютерної системи розподілення живлення.

Джерело білого світла (за наявності)

цей виріб може генерувати небезпечне оптичне випромінювання. НЕ ДИВІТЬСЯ на ввімкнене джерело світла. Це може зашкодити очам. Використовуйте належні засоби захисту органів зору та НЕ ВМИКАЙТЕ біле світло під час збирання, встановлення або технічного обслуговування камери.

Транспортування

Під час транспортування зберігайте пристрій в оригінальному або подібному пакуванні.

Безпека системи

Усвідомте, що ви несете відповідальність за налаштування всіх паролів та інших параметрів безпеки пристрою, а також за збереження свого імені користувача та пароля.

Технічне обслуговування

Якщо виріб не працює належним чином, зверніться до вашого дилера або найближчого сервісного центру. Ми не несемо жодної відповідальності за проблеми, які виникли внаслідок незатриманого ремонту чи догляду.

Чищення

Використовуйте м'яку та суху тканину для протирання внутрішніх і зовнішніх поверхонь виробу. Не використовуйте лужні миючі засоби.

Умови експлуатації

Під час використання будь-якого лазерного обладнання слідкуйте за тим, щоб лазерний промінь не потрапляв на об'єкти пристрою, адже це може призвести до його перегорання. НЕ ДОПУСКАЙТЕ потрапляння пристрою в середовище із сильним електромагнітним випромінюванням чи запилене середовище. Цей пристрій призначений виключно для використання у приміщенні, тому розміщуйте його в сухому середовищі з належною вентиляцією. НЕ СПРЯМОВУЙТЕ об'єктів на сонце або інші джерела яскравого світла. Переконайтеся, що середа використання відповідає умовам експлуатації пристрою. НЕ РОЗМІЩУЙТЕ камеру у місцях з надзвичайно високою або низькою температурою та у місцях з високим рівнем запиленості або вологості, та захищайте камеру від сильного електромагнітного випромінювання.

Аварійні ситуації

Якщо джерело живлення або пристрій випускає дим, запах або видає шум, негайно вимкніть живлення, від'єднайте кабель живлення та зверніться в сервісний центр.

Синхронізація часу

Під час першого використання встановіть час пристрою вручну, якщо він не синхронізувався за мережею. Перейдіть до пристрою за допомогою браузера/клієнтського програмного забезпечення, після чого перейдіть до інтерфейсу налаштувань часу.

Відображення

Переконайтеся, що поблизу з об'єктивом пристрою немає дзеркальних поверхонь. ІЧ світло з пристрою може віддзеркалитись в об'єктів та призвести до відсвічування.

العربية

لمزيد من المعلومات والتعليمات حول الجهاز، يُرجى زيارة موقعنا الإلكتروني على <https://www.hikvision.com>. ويمكنك أيضًا الرجوع إلى المستندات الأخرى (إن وجدت) المصاحبة للجهاز أو مسح رمز الاستجابة السريعة (إن وجد) الموجود على العبوة للحصول على مزيد من المعلومات.

الامتثال التنظيمي ومعلومات السلامة
اقرأ جميع المعلومات والتعليمات الواردة في هذا المستند بعناية قبل استخدام الجهاز واحتفظ بهذا المستند للرجوع إليه فيما بعد.

إخلاء المسؤولية القانونية

● إلى الحد الأقصى الذي يسمح به القانون المعمول به، يتوفر هذا المستند والمنتج الموصوف وما يتضمنه من أجهزة وبرامج وبرامج ثابتة "في الحالة التي هو عليها" و"بكل العيوب والأخطاء التي يتضمنها". لا تقدم HIKVISION أي ضمانات، سواء كانت صريحة أو ضمنية، بما في ذلك، على سبيل المثال لا الحصر، قابلية التسويق، أو الجودة المرصية، أو الملاءمة لغرض معين. يقع استخدام المنتج من قبلك على مسؤوليتك الخاصة. لن تتحمل شركة HIKVISION -بأي حال من الأحوال- المسؤولية عن أي أضرار خاصة، أو لاحقة، أو عرضية، أو غير مباشرة -بما في ذلك، ومن بين أمور أخرى- أي أضرار ناجمة عن فقدان الأرباح التجارية، أو توقف العمل، أو فقدان البيانات، أو فساد في الأنظمة، أو ضياع الوثائق سواء أكان ذلك استناداً إلى خرق للعقد، أم خطأ (ومنه الإهمال)- أو مسؤولية المنتج أو غير ذلك، فيما يتعلق باستخدام المنتج، حتى إذا كان قد تم إبلاغ HIKVISION بإمكانية حدوث مثل هذه الأضرار أو الفقدان.

● أنت تقر بطبيعة الإنترنت التي تنطوي على المخاطر الأمنية الكامنة، ولا يقع على HIKVISION أي مسؤوليات عن التشغيل غير الطبيعي أو تسرب الخصوصية أو غيرها من الأضرار الناجمة عن الهجوم الإلكتروني أو هجوم القرصنة أو الإصابة بالفيروسات والمخاطر الأمنية للإنترنت - ومع ذلك، سوف توفر HIKVISION الدعم الفني في الوقت المناسب، إذا لزم الأمر.

● أنت توافق على استخدام المنتج تماثلياً مع جميع القوانين المعمول بها، وتتحمّل وحدك المسؤولية عن ضمان أن استخدامك يتوافق مع القانون المعمول به. تتحمّل وحدك بشكل خاص المسؤولية عن استخدام المنتج بطريقة لا تنتهك حقوق الأطراف الأخرى، بما في ذلك، على سبيل المثال لا الحصر، حقوق الدعاية، أو حقوق الملكية الفكرية، أو حقوق حماية البيانات وحقوق الخصوصية الأخرى. لا يجوز استخدام هذا المنتج لأي استخدامات نهائية محظورة، بما في ذلك تطوير أسلحة دمار شامل أو إنتاجها، أو تطوير أسلحة كيميائية أو بيولوجية أو إنتاجها، أو أي أنشطة في هذا السياق متعلقة بأي مواد قابلة للانفجار النووي أو دورة الوقود النووي غير الآمنة، أو لدعم انتهاكات حقوق الإنسان.

● في حالة وجود أي تعارضات بين هذا المستند والقانون المعمول به، فإن القانون المعمول به هو الذي يسود.

الحريق.

الكهرباء

عند استخدام المنتج، يجب أن نتلزم بصراحة بلوائح السلامة الكهربائية السارية في الدولة والمنطقة. يجب ألا يتعرض الجهاز للماء المتقطر أو المتناثر، ويجب عدم وضع الأشياء الممتلئة بالسوائل على الجهاز، مثل المزهريات. يجب توفير مانع الصواعق عند فتحه مدخل الجهاز في ظل الظروف الخاصة مثل قمة الجبل والبرج الحديدي والغاية. تنبيه: إذا كان من الممكن استبدال مصهر الجهاز، فاستبدله بالطراز نفسه فقط لتقليل خطر نشوب حريق أو حدوث صدمة كهربائية. لا تلمس المكونات العارية (مثل نقاط التلامس المعدنية للمداخل) وانتظر لمدة 5 دقائق على الأقل، إذ قد تظل الكهرباء موجودة بعد إيقاف تشغيل الجهاز. بالنسبة للجهاز الذي يتم تشغيله وإيقاف تشغيله عن طريق قابس الطاقة ومخرج المقابس فقط، يجب تركيب مخرج المقابس بالقرب من الجهاز بحيث يسهل الوصول إليه.

البطارية

لا تتبعل البطارية. خطر الإصابة بالحروق الكيميائية! يحتوي هذا المنتج على بطارية خلية بشكل أزرار/عملة معدنية. إذا تم ابتلاع البطارية الجافة على شكل عملة معدنية/زر، فقد يتسبب ذلك في الإصابة بحروق داخلية شديدة في غضون ساعتين فقط ويمكن أن يؤدي إلى الوفاة. احتفظ بالبطاريات الجديدة والمستعملة بعيداً عن متناول الأطفال. إذا لم يتم إغلاق حجرة البطارية بإحكام، فتوقف عن استخدام المنتج واحتفظ به بعيداً عن متناول الأطفال. إذا كنت تعتقد أن البطاريات قد تم ابتلاعها أو وضعها داخل أي جزء من الجسم، فالتمس الرعاية الطبية على الفور. تحذير: ثمة خطر حدوث انفجار إذا تم استبدال البطارية بنوع غير صحيح. تخلص من البطاريات المستعملة حسب التعليمات. قد يؤدي الاستبدال غير الصحيح للبطارية بنوع غير صحيح إلى إبطال الحماية (على سبيل المثال، في حالة بعض أنواع بطاريات الليثيوم). لا تتخلص من البطارية باللقائها في النار أو في فرن ساخن، أو تقم بسحق البطارية أو تقطيعها ميكانيكياً، مما قد يؤدي إلى حدوث انفجار. لا تترك البطارية في بيئة محيطة ذات درجة حرارة عالية للغاية، مما قد يؤدي إلى حدوث انفجار أو تسرب سائل أو غاز قابل للاشتعال. لا تُعرض البطارية لضغط هواء منخفض للغاية، مما قد يؤدي إلى حدوث انفجار أو تسرب سائل أو غاز قابل للاشتعال. يحدّد + الطرف (الأطراف) الموجب من الجهاز المستخدم مع التيار المباشر أو يولّده. يحدّد - الطرف (الأطراف) السالب من الجهاز المستخدم مع التيار المباشر أو يولّده.

الوقاية من الحريق

يجب عدم وضع مصادر لهب مكشوفة، مثل الشموع المضاءة، على الجهاز. يُستخدم المنفذ التسلسلي للجهاز لتصحيح الأخطاء فقط.

الوقاية من سخونة السطح

تنبيه: الأجزاء الساخنة! قد تتعرض أصابعك للاحتراق عند مسك الأجزاء وهي ساخنة. انتظر نصف ساعة بعد إيقاف تشغيل الجهاز قبل مسك الأجزاء. هذا الملصق يشير إلى أن العنصر المحدد يمكن أن يكون ساخناً ولا يجب لمسه دون توخي الحذر. بالنسبة للجهاز الذي يحتوي على هذا الملصق، فإن هذا الجهاز مخصص للتركيب في موقع وصول مقيد، ولا يمكن الوصول إليه إلا من قِبل أشخاص الخدمة أو المستخدمين الذين تم إطلاعهم على أسباب القيود المطبقة على الموقع وحول أي احتياطات يجب اتخاذها.



التركيب

قم بتركيب الجهاز وفقاً للتعليمات الواردة في هذا الدليل. لتجنب الإصابة، يجب تثبيت هذا الجهاز على سطح التركيب بإحكام وفقاً لتعليمات التركيب. لا تقم بوضع الجهاز أبداً في مكان غير مستقر. قد يسقط الجهاز، مما يتسبب في حدوث إصابات خطيرة أو الوفاة. لا تقم بتركيب الأجهزة للاستخدام المهني في الأماكن التي يحتمل وجود أطفال بها. إذا لم يتم تحرير الجهاز بمحول طاقة، وتحتاج إلى توصيل الكابلات العارية للجهاز: تتطلب الأسلاك الخارجية للجهاز المتصلة بالأطراف الحية الخطيرة التركيب من قِبل شخص مدرب. تأكد من فصل الطاقة قبل توصيل أسلاك الجهاز، أو تركيبه أو فكّه. يجب توصيل مصدر الطاقة أو الجهاز بمقبس تيار كهربائي رئيسي مؤرض. جهد عالٍ لمصدر الطاقة. لا تقم بتفكيكه. إذا لزم توصيل الجهاز بنفسك، فحدد السلك المتوافق مع مصدر الطاقة وفقاً للمعلومات الكهربائية الموضحة على الجهاز. أفضل السلك باستخدام أداة تعرية الأسلاك القياسية في الموضع المتوافق. لتجنب حدوث عواقب وخيمة، يجب أن يكون طول السلك العاري مناسباً، ويجب ألا تكون الموصلات مكشوفة.

مصدر الطاقة

جهاز مدعوم بجهد أمان منخفض للغاية (SELV): يجب أن يفي مصدر الطاقة بمتطلبات مصدر طاقة محدود أو متطلبات PS2 وفقاً لمعيار IEC 60950-1 أو IEC 62368-1.

الجهاز مدعوم بجهد مصدر تيار كهربائي رئيسي متردد: يجب توصيل الجهاز بمقبس تيار كهربائي رئيسي مؤرض. يجب تضمين جهاز فصل مناسب يسهل الوصول إليه خارج الجهاز. يجب تضمين جهاز حماية مناسب من التيار الزائد خارج الجهاز، بما لا يتجاوز مواصفات المبنى. يجب تضمين المفتاح الرئيسي متعدد الأقطاب في التركيبات الكهربائية للمبنى. في حال تشغيل الجهاز بواسطة أطراف التوصيل المتصلة بسلك الطاقة، تأكد من توصيل التيار والأسلاك بشكل صحيح بمصدر التيار الكهربائي

تتطبق هذه البنود فقط على المنتجات التي تحمل العلامة أو المعلومات المقابلة.

بيان الامتثال لمعايير الاتحاد الأوروبي

يحمل هذا المنتج وكذلك ملحقاته المقدمة - إن وُجدت - علامة "CE" ومن ثمّ يمثل للمعايير الأوروبية المنسقة السارية والمدرجة ضمن توجيه التوافق الكهرومغناطيسي (EMCD) 2014/30/EU، وتوجيه الحد من المواد الخطرة (RoHS) 2011/65/EU. ملاحظة: تتوافق المنتجات ذات جهد الإدخال من 50 إلى 1000 فولت تيار متردد أو 75 إلى 1500 فولت تيار مستمر مع توجيه الجهد المنخفض (LVD) 2014/35/EU، وتتوافق المنتجات الباقية مع توجيه العام لسلامة المنتج (GPSD) 2001/95/EC. يُرجى الاطلاع على معلومات مصدر الطاقة المحددة كمرجع. يتوفر النص الكامل لإعلان المطابقة للاتحاد الأوروبي على الإنترنت على العنوان التالي: <https://www.hikvision.com/en/support/compliance/declaration-of-conformity>.

التوجيه 2012/19/EU (توجيه نفايات الأجهزة الكهربائية والإلكترونية (WEEE)): لا يمكن التخلص من المنتجات التي تحمل هذا الرمز بوصفها نفايات بلدية غير مصنفة في الاتحاد الأوروبي. ولتحقيق إعادة التدوير بطريقة سليمة، أعد هذا المنتج إلى المورد المحلي الذي تتعامل معه عند شراء جهاز جديد مماثل أو تخلص منه في نقاط التجميع المحددة. للحصول على مزيد من المعلومات، راجع: www.recyclethis.info.

التوجيه 2006/66/EC وتعديله 2013/56/EU (توجيه البطارية): يحتوي هذا المنتج على بطارية لا يمكن التخلص منها بوصفها نفايات محلية غير مصنفة في الاتحاد الأوروبي. راجع وثائق المنتج للاطلاع على معلومات محددة بشأن البطارية. تحمل البطارية هذا الرمز، الذي يتضمن حروفاً تدل على الكاديوم (Cd) أو الرصاص (Pb) أو الزئبق (Hg). لتحقيق إعادة التدوير بطريقة سليمة، أعد البطارية إلى المورد الذي تتعامل معه، أو إلى نقطة تجميع محددة. للحصول على مزيد من المعلومات، راجع: www.recyclethis.info.

تعليمات السلامة تهدف هذه التعليمات إلى ضمان أن المستخدم يمكنه استخدام المنتج بشكل صحيح لتجنب الخطر أو فقدان الممتلكات. القوانين واللوائح يجب استخدام الجهاز وفقاً للقوانين المحلية ولوائح السلامة الكهربائية ولوائح الوقاية من



الرئيسي. تم تصميم الجهاز وتعديله، عند الحاجة، للاتصال بنظام توزيع طاقة تكنولوجيا المعلومات.

مصباح الضوء الأبيض (إذا كان مدعومًا)

من المحتمل أن يكون الإشعاع البصري المنبعث من هذا المنتج خطيرًا. لا تحقق في مصدر ضوء التشغيل. قد يتسبب في حدوث ضرر لعينيك. ارتد حماية مناسبة للعين أو لا تشغل الضوء الأبيض عند تجميع الكاميرا أو تركيبها أو صيانتها.

النقل

احتفظ بالجهاز في عبوته الأصلية أو عبوة مماثلة في أثناء نقله.

أمان النظام

يُرجى تفهم أنك تتحمل مسؤولية تكوين جميع كلمات المرور وإعدادات الأمان الأخرى الخاصة بالجهاز، ويُرجى الاحتفاظ باسم المستخدم الخاص بك وكلمة المرور.

الصيانة

إذا لم يعمل المنتج بشكل سليم، فيُرجى الاتصال بالوكيل أو أقرب مركز خدمة. لن نتحمل أي مسؤولية عن المشاكل التي يتسبب في حدوثها الإصلاح أو الصيانة من جهة غير معتمدة.

التنظيف

يرجى استخدام قطعة قماش ناعمة وجافة عند تنظيف الأسطح الداخلية والخارجية لغطاء المنتج. لا تستخدم المنظفات القلوية.

بيئة الاستخدام

عند استخدام أي أجهزة ليزر، تأكد من عدم تعرض عدسة الجهاز لشعاع الليزر، وإلا فقد تحترق. لا تعرض الجهاز للإشعاع الكهرومغناطيسي العالي أو النبضات المليئة بالغبار. بالنسبة إلى الجهاز الداخلي فقط، ضعه في مكان جاف وجيد التهوية. لا توجه العدسة نحو الشمس أو أي أضواء ساطعة أخرى. تأكد من أن بيئة التشغيل تلبى متطلبات الجهاز. لا تضع الكاميرا في أماكن شديدة الحرارة أو البرودة أو الغبار أو الرطوبة، ولا تعرضها لإشعاع كهرومغناطيسي عالٍ.

الطوارئ

إذا انبعث دخان أو رائحة غريبة أو ضوضاء من مصدر الطاقة أو الجهاز، فأوقف تشغيل الطاقة على الفور وافصل كابل الطاقة، ثم اتصل بمركز الخدمة.

مزامنة الوقت

قم بإعداد وقت الجهاز يدويًا لأول مرة للوصول إذا لم يكن الوقت المحلي متزامنًا مع الوقت الخاص بالشبكة. قم بزيارة الجهاز عبر تصفح الويب/برنامج العميل واذهب إلى واجهة إعدادات الوقت.

الانعكاس

تأكد من عدم وجود سطح عاكس قريب جدًا من عدسة الجهاز. فقد ينعكس ضوء الأشعة تحت الحمراء من الجهاز مرة أخرى في العدسة ما يؤدي إلى الانعكاس.



See Far, Go Further

UD37250B