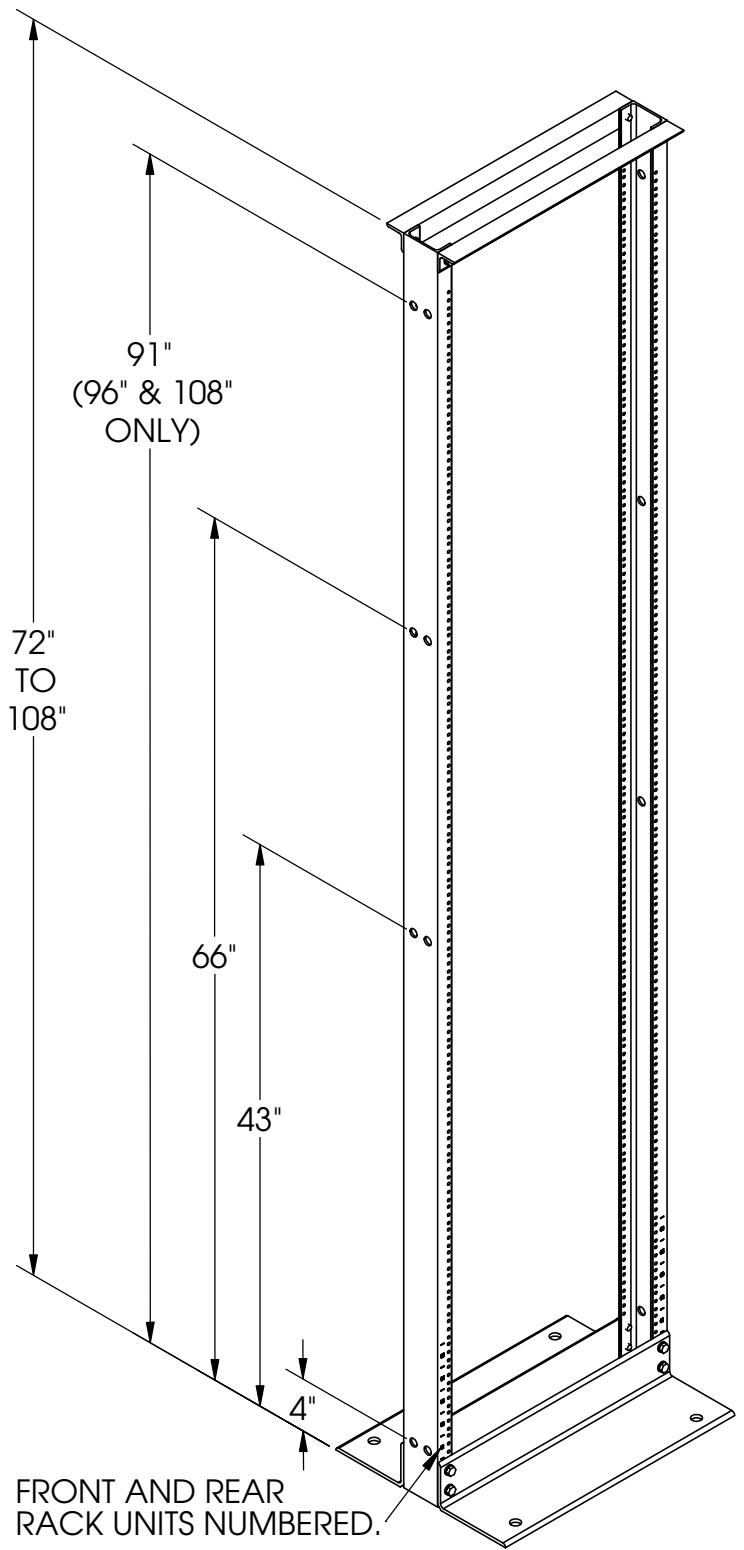
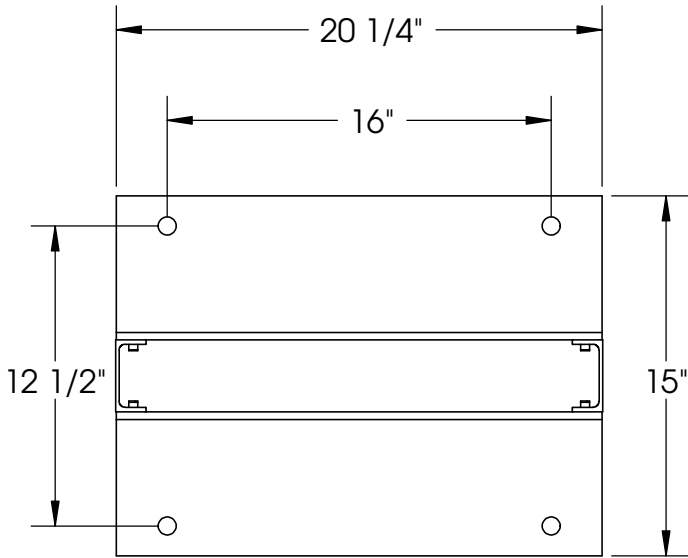


FOOT PRINT



PART NUMBER DESIGNATIONS

PART NUMBER	"XX" = HEIGHT	"X" = FINISH
OR-19-72-T2SDB	72"	BLACK
OR-19-72-T2SD	72"	CLEAR
OR-19-84-T2SDB	84"	BLACK
OR-19-84-T2SD	84"	CLEAR
OR-19-96-T2SDB	96"	BLACK
OR-19-96-T2SD	96"	CLEAR
OR-19-108-T2SDB	108"	BLACK
OR-19-108-T2SD	108"	CLEAR

- STATIC LOAD CAPACITY IS 1000 LBS.
- EVENLY DISTRIBUTED WITH RACK PROPERLY SECURED.
- EQUIPMENT RACKS ARE UL LISTED.

*** NOTICE ***
 THIS DOCUMENT CONTAINS CONFIDENTIAL AND/OR PROPRIETARY INFORMATION INTENDED FOR USE ONLY BY THE INDIVIDUAL(S) PROVIDED. NEITHER THIS DOCUMENT, NOR ANY INFORMATION CONTAINED HEREIN, MAY BE COPIED, DISTRIBUTED, DISCLOSED TO ANY THIRD PARTY OR USED IN ANY MANNER OTHER THAN FOR WHICH IT HAS BEEN PROVIDED, WITHOUT THE PRIOR WRITTEN CONSENT OF ORTRONICS, INC. MANUFACTURING RELEASE, PRODUCT SPECIFICATIONS AND STANDARDS ARE SUBJECT TO CHANGE WITHOUT NOTICE.



125 EUGENE O'NEILL DRIVE
 NEW LONDON, CT 06320
 TEL: 860-445-3800
 FAX: 860-405-2990
 WWW.ORTRONICS.COM

TITLE
**HOMACO STANDARD EQUIPMENT RACK
 19" WIDE, 72" TO 108" HEIGHT**

	NAME	DATE	SIZE	CAD FILE	DWG NO	REV
DWN	C.VACCA	04/04/08	A	19XXT2SDXC	OR-19-XX-T2SDX	05
CHK	S.A.L.	08/06/08	SCALE	NONE	WEIGHT	SHEET
APPR	A.M.	08/07/08				1 OF 1